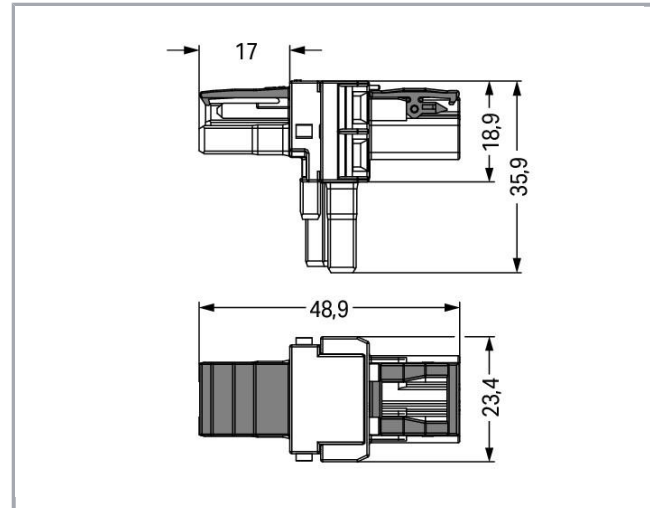
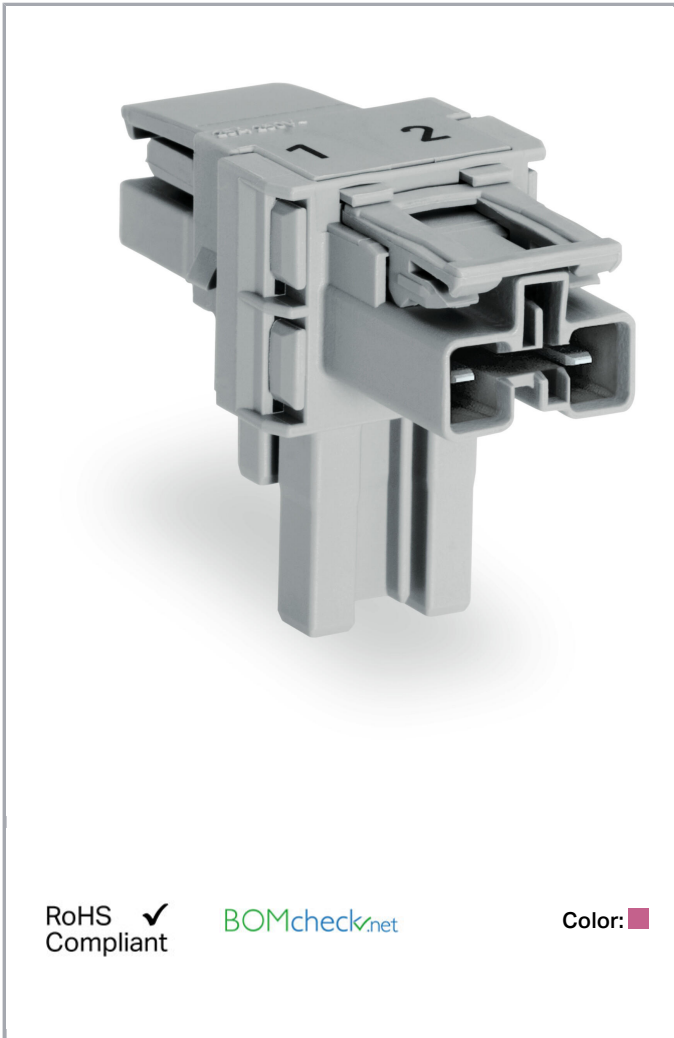


## Data sheet | Item number: 770-1603

T-distribution connector; 2-pole; Cod. B; 1 input; 2 outputs; 2 locking levers;  
pink



[www.wago.com/770-1603](http://www.wago.com/770-1603)



### Item description

- Protected against mismatching and maintenance-free
- Components can be clearly printed on and color-coded to meet custom requirements

### Note:

All connectors for mounted installations (snap-in versions for lighting fixtures or devices, all types of PCB and distribution connectors) are factory-equipped with locking levers to ensure plugs and sockets are securely locked. Additional locking levers are only required for flying leads (plug /socket).

Subject to changes. Please also observe the further product documentation!

WAGO Kontakttechnik GmbH & Co. KG  
Hansastr. 27  
32423 Minden  
Phone: +49571 887-0 | Fax: +49571 887-169  
Email: [info.de@wago.com](mailto:info.de@wago.com) | Web: [www.wago.com](http://www.wago.com)

Do you have any questions about our products?  
We are always happy to take your call at +49 (571) 887-44222.

**Note on mismatching protection:**

All WINSTA<sup>®</sup> components are 100% protected against mismatching when:

- a.) plugging different numbers of poles
- b.) plugging while rotated 180
- c.) plugging while laterally staggered
- d.) plugging one pole

**Safety information 1:**

Application note for the U.S. market (USR): Some versions may also be used for current interruption in accordance with the UL certificate in select applications with currents below 16 A and voltages up to 600 V. For further information, please contact your local sales office.

**Data****Electrical data**

|                            |   |
|----------------------------|---|
| Note on Contact Resistance | approx. 1 mΩ of contact resistance approx. 0.25 mΩ contact transition plug/socket |
|----------------------------|---|

**Ratings per IEC/EN 60664-1**

| Ratings per                     | IEC/EN 60664-1  |
|---------------------------------|---|
| Rated voltage (III / 3)         | 250 V   |
| Rated impulse voltage (III / 3) | 4 kV  |
| Rated current                   | 25 A  |
| Legend (ratings)                | (III / 3) ≙ Overvoltage category III / Pollution degree 3 |

**Approvals per UL 1977**

|   |       |
|---|-------|
| Rated voltage per UL 1977 (factory wiring only) | 600 V |
| Rated current per UL 1977 (factory wiring only) | 23 A  |

**Connection data**

|                            |   |
|----------------------------|---|
| No. of poles               | 2 |
| Total number of potentials | 2 |

**Geometrical Data**

|             |                      |
|-------------|----------------------|
| Pin spacing | 10 mm / 0.394 inch   |
| Width       | 23,5 mm / 0.925 inch |
| Height      | 36,1 mm / 1.421 inch |
| Depth       | 48,9 mm / 1.925 inch |

Subject to changes. Please also observe the further product documentation!

WAGO Kontakttechnik GmbH & Co. KG  
 Hansastr. 27  
 32423 Minden  
 Phone: +49571 887-0 | Fax: +49571 887-169  
 Email: [info.de@wago.com](mailto:info.de@wago.com) | Web: [www.wago.com](http://www.wago.com)

Do you have any questions about our products?  
 We are always happy to take your call at +49 (571) 887-44222.

## Mechanical data

|   |   |
|---|---|
| Coding                                  | B   |
| Mating force of a plug-in connection    | approx. 20 ... 70 N (depending on pole number)  |
| Retention force of a plug-in connection | When locked: > 80 N   |
| Unmating force of a plug-in connection  | when unlocked: approx. 20 ... 70 N (depending on pole number)   |
| Number of mating cycles                 | 200, without resistive load 100, with resistive load $I_N = 25$ A, tested (4 mm <sup>2</sup> /AWG 12) |
| Type of distribution connector          | T-distribution connector  |
| Marking                                 | 1 2   |
| Protection class                        | IP20  |
| Note on protection class                | Only when mated (these compact connectors are not designed for use in open, easily accessible areas). |
| Potential marking                       | 1 2   |

## Plug connection

|                                    |               |
|------------------------------------|---------------|
| Contact type (pluggable connector) | Socket/plug   |
| Mismating protection               | Yes           |
| Locking of plug-in connection      | locking lever |
| Locking lever                      | yes           |

## Material Data

|                     |  |
|---------------------|--|
| Color               | pink                                     |
| Insulating material | Polyamide 66 (PA 66)                     |
| Contact material    | Copper or copper alloy (surface-treated) |
| Fire load           | 0.226 MJ                                 |
| Weight              | 11.2 g                                   |

## Environmental Requirements

|  |   |
|--|---|
| Processing temperature                 | -5 ... +40 °C                                   |
| Continuous operating temperature       | -35 ... +85 °C                                  |
| Note on Continuous Service Temperature | Insulating parts for temperatures $\leq 105$ °C |

## Commercial data


|                |             |
|----------------|-------------|
| Product Group  | 20 (WINSTA) |
| Packaging type | BOX         |

Subject to changes. Please also observe the further product documentation!






|                    |               |
|--------------------|---------------|
| Country of origin  | DE            |
| GTIN               | 4050821531173 |
| Customs Tariff No. | 85366990990   |

## Approvals / Certificates

### UL-Approvals


| Logo   | Approval                                       | Additional Approval Text | Certificate name |
|--|--|--------------------------|------------------|
|  | <b>cURus</b><br>Underwriters Laboratories Inc. | UL 1977                  | E45171<br>Sec. 9 |

## Counterpart

|  |  |  |
|--|--|--|
|    | <b>Item no.770-282</b><br>Socket; 2-pole; Cod. B; 4,00 mm <sup>2</sup> ; pink  | <a href="http://www.wago.com/770-282">www.wago.com/770-282</a>                   |
|    | <b>Item no.770-292</b><br>Plug; 2-pole; Cod. B; 4,00 mm <sup>2</sup> ; pink  | <a href="http://www.wago.com/770-292">www.wago.com/770-292</a>                   |
|  | <b>Item no.771-8992/005-107</b><br>pre-assembled interconnecting cable; Eca; Socket/plug; 2-pole; Cod. B; Control cable 2 x 1.0 mm <sup>2</sup> ; 1 m; 1,00 mm <sup>2</sup> ; pink | <a href="http://www.wago.com/771-8992/005-107">www.wago.com/771-8992/005-107</a> |
|  | <b>Item no.771-8992/105-107</b><br>pre-assembled connecting cable; Socket/open-ended; 2-pole; Cod. B; Control cable 2 x 1.0 mm <sup>2</sup> ; 1 m; 1,00 mm <sup>2</sup> ; pink     | <a href="http://www.wago.com/771-8992/105-107">www.wago.com/771-8992/105-107</a> |
|  | <b>Item no.771-8992/205-107</b><br>pre-assembled connecting cable; Eca; Plug/open-ended; 2-pole; Cod. B; Control cable 2 x 1.0 mm <sup>2</sup> ; 1 m; 1,00 mm <sup>2</sup> ; pink  | <a href="http://www.wago.com/771-8992/205-107">www.wago.com/771-8992/205-107</a> |

## Compatible products

### protection

|  |  |  |
|--|--|--|
|  | <b>Item no.: 770-201</b><br>Lockout cap; 12-pole, separable; 12-pole; for sockets; black | <a href="http://www.wago.com/770-201">www.wago.com/770-201</a> |
|  | <b>Item no.: 770-221</b><br>Lockout cap; for socket; 12-pole; separable; white           | <a href="http://www.wago.com/770-221">www.wago.com/770-221</a> |
|  | <b>Item no.: 770-360</b><br>Lockout cap; for plugs; 5-pole; separable; yellow            | <a href="http://www.wago.com/770-360">www.wago.com/770-360</a> |

Subject to changes. Please also observe the further product documentation!

## Downloads

### CAD/CAE-Data

#### CAE data

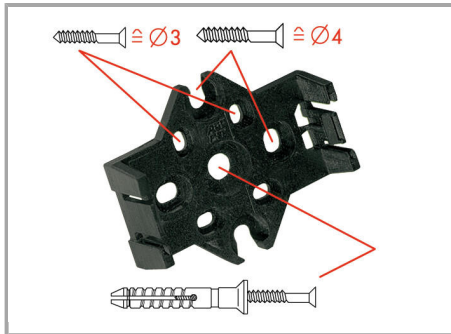
WSCAD Universe 770-1603

URL

Download

## Installation Notes

### Installation



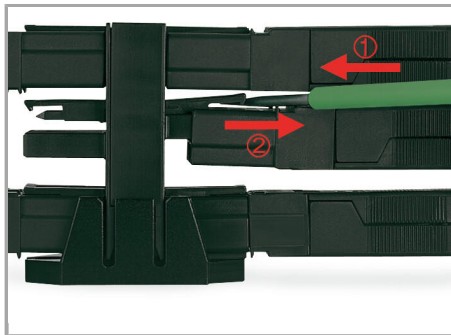
The mounting plate for distribution connectors can be mounted using commercially available screws or nail-drive anchors.



The distribution connectors are latched when mounted on the mounting plate.



To release the distribution connector, unlock the latch using a screwdriver.



All distributor connections are locked and protected against accidental disconnection directly after mating. Locking of any connection is released using a screwdriver, even if all connections are in use.

## Product family

*WINSTA*<sup>®</sup> MIDI special

[Show all products from the family](#)

Subject to changes. Please also observe the further product documentation!

WAGO Kontakttechnik GmbH & Co. KG

Hansastr. 27

32423 Minden

Phone: +49571 887-0 | Fax: +49571 887-169

Email: [info.de@wago.com](mailto:info.de@wago.com) | Web: [www.wago.com](http://www.wago.com)

Do you have any questions about our products?

We are always happy to take your call at +49 (571) 887-44222.