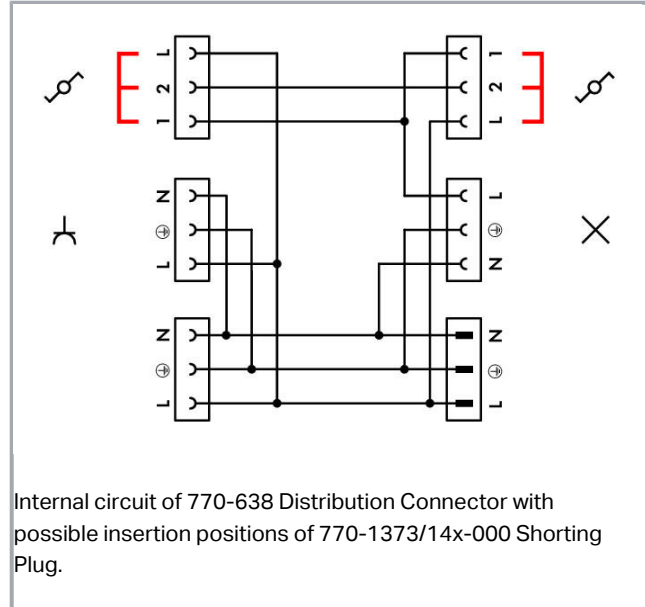
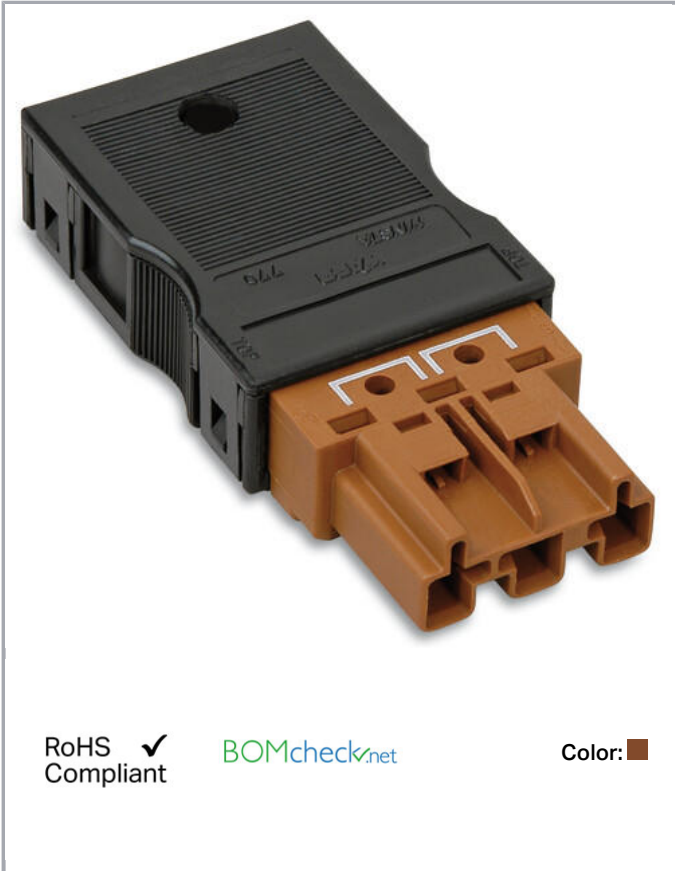


Data sheet | Item number: 770-1373/147-000

Shorting plug; with assembled strain relief housing; 3-pole; Cod. S; Bridge 1-L; 4,00 mm<sup>2</sup>; brown



[www.wago.com/770-1373/147-000](http://www.wago.com/770-1373/147-000)



Internal circuit of 770-638 Distribution Connector with possible insertion positions of 770-1373/14x-000 Shorting Plug.

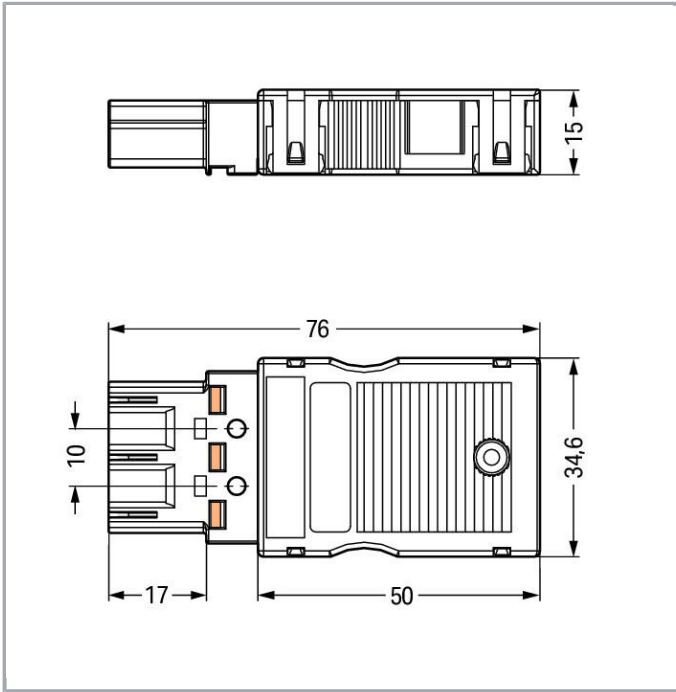
RoHS Compliant

Color:

Subject to changes. Please also observe the further product documentation!

WAGO Kontakttechnik GmbH & Co. KG  
Hansastr. 27  
32423 Minden  
Phone: +49571 887-0 | Fax: +49571 887-169  
Email: [info.de@wago.com](mailto:info.de@wago.com) | Web: [www.wago.com](http://www.wago.com)

Do you have any questions about our products?  
We are always happy to take your call at +49 (571) 887-44222.



## Data

### Electrical data

#### Ratings per IEC/EN 60664-1

Rated voltage (III / 3)	250 V
Rated impulse voltage (III / 3)	4 kV
Rated current	25 A
Legend (ratings)	(III / 3) ≙ Overvoltage category III / Pollution degree 3

#### Approvals per UL 1977

Rated voltage per UL 1977 (factory wiring only)	600 V
Rated current per UL 1977 (factory wiring only)	23 A

### Connection data


Connection technology	Push-in CAGE CLAMP®
Note (strip length)	see also packaging or instructions
No. of poles	3

Subject to changes. Please also observe the further product documentation!

## Geometrical Data

Pin spacing	10 mm / 0.394 inch
Width	34.6 mm / 1.362 inch
Height	15 mm / 0.591 inch
Depth	76 mm / 2.992 inch

## Mechanical data

Coding	S
Mating force of a plug-in connection	approx. 20 ... 70 N (depending on pole number)
Retention force of a plug-in connection	when locked: > 80N
Unmating force of a plug-in connection	when unlocked: approx. 20 ... 70 N (depending on pole number)
Marking	
Protection class	IP20
Note on protection class	In mated condition with strain relief housing: IP2xC (These compact connectors are not designed for use in open, easily accessible areas.)
Application	Switch function
Suitable	for distribution connector; series and two-way circuits

## Plug connection

Contact type (pluggable connector)	Male connector/plug
Connector connection type	for pluggable connectors
Locking lever	no
Strain relief	strain relief housing

## Material Data

Color	brown
Insulating material	Polyamide 66 (PA 66)
Flammability class per UL94	V0
Clamping spring material	Chrome nickel spring steel (CrNi)
Contact material	Copper or copper alloy; surface-treated
Fire load	0.472 MJ
Connector color	brown
Weight	23.2 g

Subject to changes. Please also observe the further product documentation!

## Environmental Requirements


Processing temperature	-5 ... +40 °C
Continuous operating temperature	-35 ... +85 °C
Note on Continuous Service Temperature	Insulating parts for temperatures ≤ 105 °C

## Commercial data




Packaging type	BOX
Country of origin	DE
GTIN	4045454148324
Customs Tariff No.	85366990990

## Approvals / Certificates

### Country specific Approvals

Logo	Approval	Additional Approval Text	Certificate name
	<b>CCA</b> DEKRA Certification B.V.	IEC 61535	NL-32105
	<b>CCA</b> DEKRA Certification B.V.	EN 61535	2173495.02

### Ship Approvals

Logo	Approval	Additional Approval Text	Certificate name
	<b>ABS</b> American Bureau of Shipping	-	19- HG1868589- PDA
	<b>DNV GL</b> Det Norske Veritas, Germanischer Lloyd	-	TAE00001Z6
	<b>LR</b> Lloyds Register	IEC 61984	02/20050 (E6)

Subject to changes. Please also observe the further product documentation!

## Counterpart

## Compatible products

### protection



Item no.: 770-360

Lockout cap; for plugs; 5-pole; separable; yellow

[www.wago.com/770-360](http://www.wago.com/770-360)

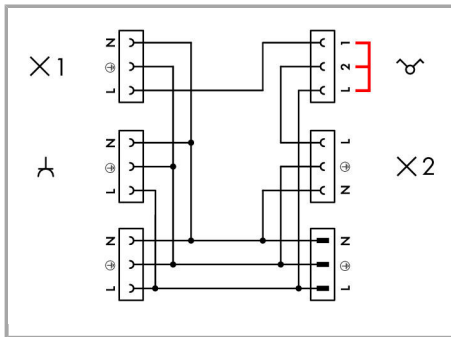
## Downloads

### CAD/CAE-Data

#### CAE data

	URL	Download
EPLAN Data Portal 770-1373/147-000	<a href="#">URL</a>	<a href="#">Download</a>
WSCAD Universe 770-1373/147-000	<a href="#">URL</a>	<a href="#">Download</a>

## Installation Notes



Internal circuit of 770-637 Distribution Connector with possible insertion position of 770-1373/14x-000 Shorting Plug.

## Product family

*WINSTA*® MIDI

[Show all products from the family](#)

Subject to changes. Please also observe the further product documentation!