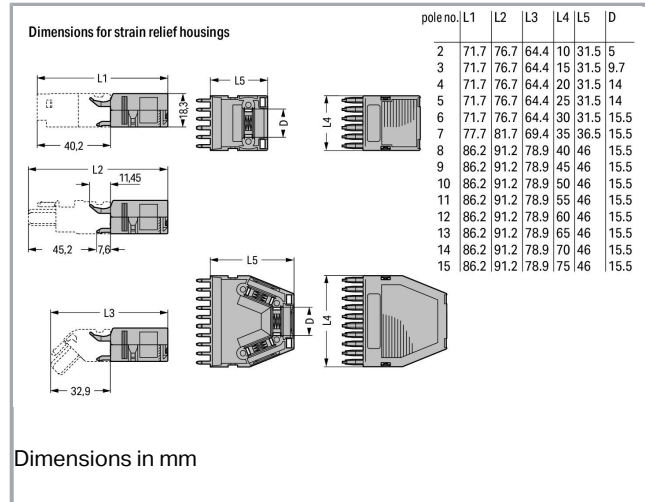


RoHS Compliant

[BOMcheck.net](https://www.bomcheck.net)

Color:



Data

Connection data

No. of poles 6

Geometrical Data

Width 30 mm / 1.181 inch

Height 18.3 mm / 0.72 inch

Depth 31.5 mm / 1.24 inch

Material Data

Color gray

Fire load 0.18 MJ

Weight 6 g

Subject to changes. Please also observe the further product documentation!


Commercial data

Product Group	18 (X-COM-System)
Packaging type	BOX
Country of origin	DE
GTIN	4017332728546
Customs Tariff No.	85389099990

Counterpart

Compatible products

Marking accessories

	Item no.: 209-501 WSB marking card; as card; not stretchable; plain; snap-on type; white	www.wago.com/209-501
	Item no.: 209-501/000-002 WSB marking card; as card; not stretchable; plain; snap-on type; yellow	www.wago.com/209-501/000-002
	Item no.: 209-501/000-005 WSB marking card; as card; not stretchable; plain; snap-on type; red	www.wago.com/209-501/000-005
	Item no.: 209-501/000-006 WSB marking card; as card; not stretchable; plain; snap-on type; blue	www.wago.com/209-501/000-006
	Item no.: 209-501/000-007 WSB marking card; as card; not stretchable; plain; snap-on type; gray	www.wago.com/209-501/000-007
	Item no.: 209-501/000-012 WSB marking card; as card; not stretchable; plain; snap-on type; orange	www.wago.com/209-501/000-012
	Item no.: 209-501/000-017 WSB marking card; as card; not stretchable; plain; snap-on type; light green	www.wago.com/209-501/000-017
	Item no.: 209-501/000-023 WSB marking card; as card; not stretchable; plain; snap-on type; green	www.wago.com/209-501/000-023

Subject to changes. Please also observe the further product documentation!



Item no.: 209-501/000-024

WSB marking card; as card; not stretchable; plain; snap-on type; violet

www.wago.com/209-501/000-024

General accessories



Item no.: 209-173

Fixing screw; for cable clamp; 7 or more poles

www.wago.com/209-173



Item no.: 209-174

Cable clamp; for strain relief; 7 or more poles

www.wago.com/209-174

Downloads

Documentation

Additional Information

Technical explanations

Apr 3, 2019

pdf
2.1 MB

[Download](#)

CAD/CAE-Data

CAD data

2D/3D Models 769-1606

[URL](#)

[Download](#)

CAE data

EPLAN Data Portal 769-1606

[URL](#)

[Download](#)

WSCAD Universe 769-1606

[URL](#)

[Download](#)

Installation Notes

Assembly

Subject to changes. Please also observe the further product documentation!

WAGO Kontakttechnik GmbH & Co. KG

Hansastr. 27

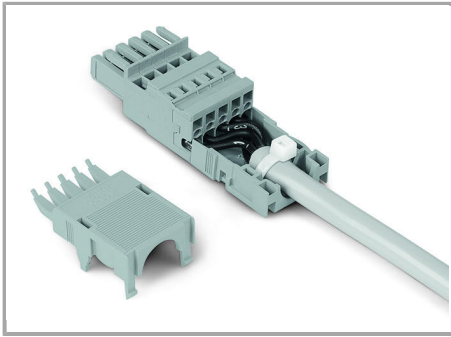
32423 Minden

Phone: +49571 887-0 | Fax: +49571 887-169

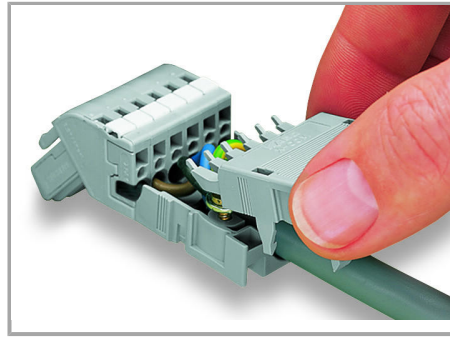
Email: info.de@wago.com | Web: www.wago.com

Do you have any questions about our products?

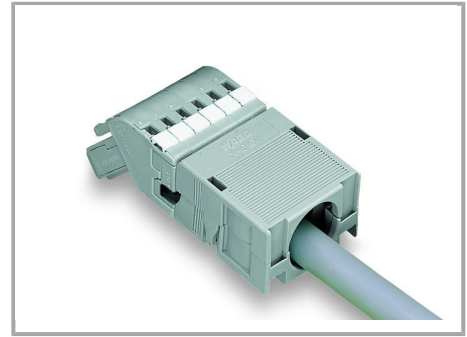
We are always happy to take your call at +49 (571) 887-44222.



2- to 5-pole strain relief housings feature one cable outlet (rear side).



Snapping on a strain relief housing.

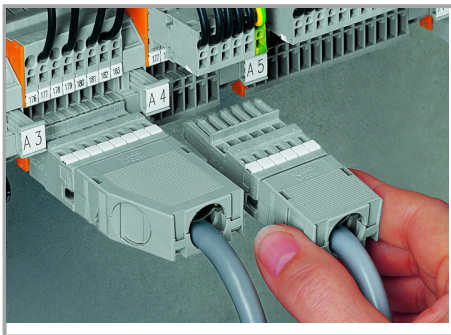


Snap-on type strain relief housing, consists of strain relief support and housing, 6-pole and 1-conductor female plugs, angled, 6-pole

6- to 9-pole strain relief housings feature two cable outlets and one cover.

10- to 16-pole strain relief housings feature three cable outlets and two covers.

Application



Application:

Snap-on type strain relief housings for 769 Series

Subject to changes. Please also observe the further product documentation!