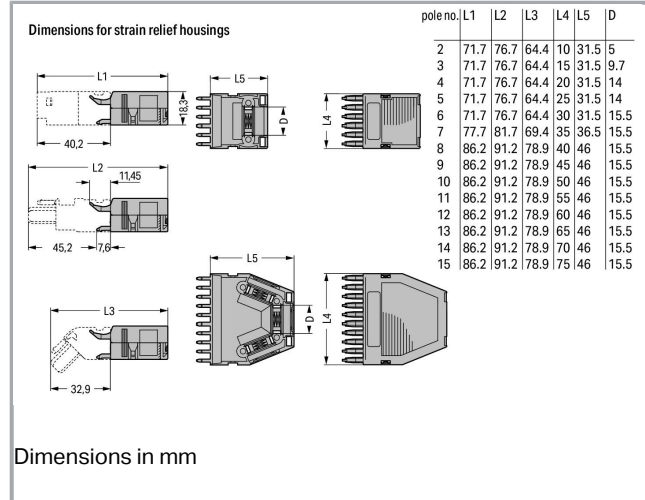


RoHS Compliant

BOMcheck.net

Color:



Data

Connection data

No. of poles 4

Geometrical Data

Width 20 mm / 0.787 inch

Height 18,3 mm / 0.72 inch

Depth 31,5 mm / 1.24 inch

Material Data

Color gray

Fire load 0.129 MJ

Weight 4.1 g

Subject to changes. Please also observe the further product documentation!

Commercial data

Product Group	18 (X-COM-System)
Packaging type	BOX
Country of origin	DE
GTIN	4017332652896
Customs Tariff No.	85389099990

Counterpart

Compatible products

Marking accessories


Item no.: 209-501

WSB marking card; as card; not stretchable; plain; snap-on type; white

www.wago.com/209-501

Item no.: 209-501/000-002

WSB marking card; as card; not stretchable; plain; snap-on type; yellow

www.wago.com/209-501/000-002

Item no.: 209-501/000-005

WSB marking card; as card; not stretchable; plain; snap-on type; red

www.wago.com/209-501/000-005
Item no.: 209-501/000-006

WSB marking card; as card; not stretchable; plain; snap-on type; blue

www.wago.com/209-501/000-006
Item no.: 209-501/000-007

WSB marking card; as card; not stretchable; plain; snap-on type; gray

www.wago.com/209-501/000-007
Item no.: 209-501/000-012

WSB marking card; as card; not stretchable; plain; snap-on type; orange

www.wago.com/209-501/000-012

Item no.: 209-501/000-017

WSB marking card; as card; not stretchable; plain; snap-on type; light green

www.wago.com/209-501/000-017

Item no.: 209-501/000-023

WSB marking card; as card; not stretchable; plain; snap-on type; green

www.wago.com/209-501/000-023
Item no.: 209-501/000-024

WSB marking card; as card; not stretchable; plain; snap-on type; violet

www.wago.com/209-501/000-024

Subject to changes. Please also observe the further product documentation!

WAGO Kontakttechnik GmbH & Co. KG

Hansastr. 27

32423 Minden

Phone: +49571 887-0 | Fax: +49571 887-169

Email: info.de@wago.com | Web: www.wago.com

Do you have any questions about our products?

We are always happy to take your call at +49 (571) 887-44222.



Downloads

Documentation

Additional Information

Technical explanations	Apr 3, 2019	pdf 2.1 MB	Download
------------------------	-------------	---------------	----------

CAD/CAE-Data

CAD data

2D/3D Models 769-1604	URL	Download
-----------------------	-----	----------

CAE data

EPLAN Data Portal 769-1604	URL	Download
----------------------------	-----	----------

WSCAD Universe 769-1604	URL	Download
-------------------------	-----	----------

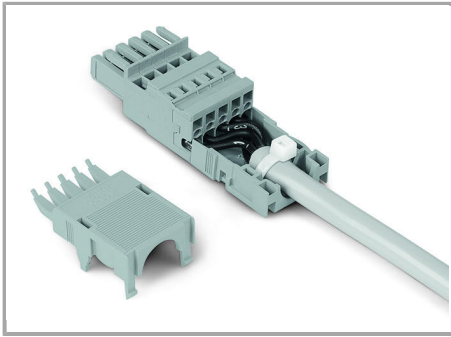
Installation Notes

Assembly

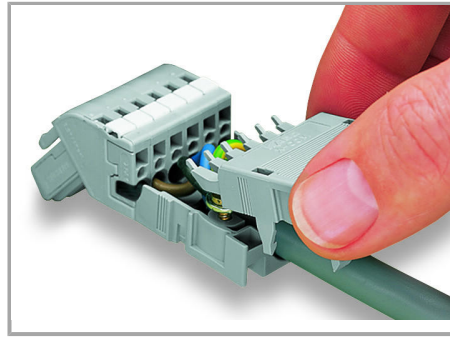
Subject to changes. Please also observe the further product documentation!

WAGO Kontakttechnik GmbH & Co. KG
Hansastr. 27
32423 Minden
Phone: +49571 887-0 | Fax: +49571 887-169
Email: info.de@wago.com | Web: www.wago.com

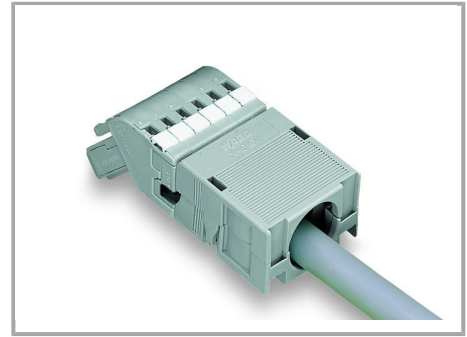
Do you have any questions about our products?
We are always happy to take your call at +49 (571) 887-44222.



2- to 5-pole strain relief housings feature one cable outlet (rear side).



Snapping on a strain relief housing.

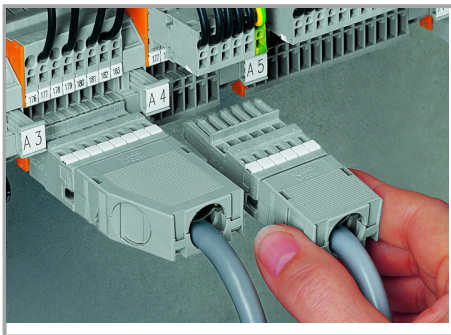


Snap-on type strain relief housing, consists of strain relief support and housing, 6-pole and 1-conductor female plugs, angled, 6-pole

6- to 9-pole strain relief housings feature two cable outlets and one cover.

10- to 16-pole strain relief housings feature three cable outlets and two covers.

Application



Application:

Snap-on type strain relief housings for 769 Series

Subject to changes. Please also observe the further product documentation!