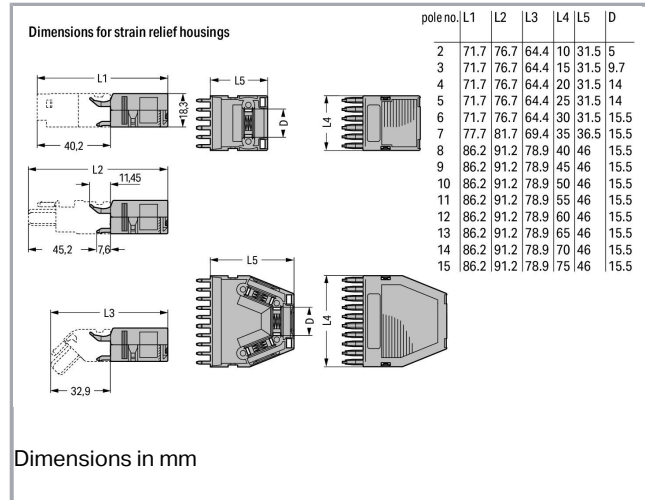


RoHS  Compliant

BOMcheck.net

Color:



## Data

### Connection data

No. of poles 3

### Geometrical Data

Width 15 mm / 0.591 inch

Height 18.3 mm / 0.72 inch

Depth 31.5 mm / 1.24 inch

### Material Data

Color gray

Fire load 0.106 MJ

Weight 3.5 g

Subject to changes. Please also observe the further product documentation!









## Commercial data

Product Group	18 (X-COM-System)
Packaging type	BOX
Country of origin	DE
GTIN	4017332652919
Customs Tariff No.	85389099990

## Counterpart

## Compatible products

### Marking accessories

	<b>Item no.: 209-501</b> WSB marking card; as card; not stretchable; plain; snap-on type; white	<a href="http://www.wago.com/209-501">www.wago.com/209-501</a>
	<b>Item no.: 209-501/000-002</b> WSB marking card; as card; not stretchable; plain; snap-on type; yellow	<a href="http://www.wago.com/209-501/000-002">www.wago.com/209-501/000-002</a>
	<b>Item no.: 209-501/000-005</b> WSB marking card; as card; not stretchable; plain; snap-on type; red	<a href="http://www.wago.com/209-501/000-005">www.wago.com/209-501/000-005</a>
	<b>Item no.: 209-501/000-006</b> WSB marking card; as card; not stretchable; plain; snap-on type; blue	<a href="http://www.wago.com/209-501/000-006">www.wago.com/209-501/000-006</a>
	<b>Item no.: 209-501/000-007</b> WSB marking card; as card; not stretchable; plain; snap-on type; gray	<a href="http://www.wago.com/209-501/000-007">www.wago.com/209-501/000-007</a>
	<b>Item no.: 209-501/000-012</b> WSB marking card; as card; not stretchable; plain; snap-on type; orange	<a href="http://www.wago.com/209-501/000-012">www.wago.com/209-501/000-012</a>
	<b>Item no.: 209-501/000-017</b> WSB marking card; as card; not stretchable; plain; snap-on type; light green	<a href="http://www.wago.com/209-501/000-017">www.wago.com/209-501/000-017</a>
	<b>Item no.: 209-501/000-023</b> WSB marking card; as card; not stretchable; plain; snap-on type; green	<a href="http://www.wago.com/209-501/000-023">www.wago.com/209-501/000-023</a>
	<b>Item no.: 209-501/000-024</b> WSB marking card; as card; not stretchable; plain; snap-on type; violet	<a href="http://www.wago.com/209-501/000-024">www.wago.com/209-501/000-024</a>

Subject to changes. Please also observe the further product documentation!



---

## Downloads

### Documentation

#### Additional Information

Technical explanations	Apr 3, 2019	pdf 2.1 MB	Download
------------------------	-------------	---------------	----------

---

## CAD/CAE-Data

### CAD data

2D/3D Models 769-1603	URL	Download
-----------------------	-----	----------

---

### CAE data

EPLAN Data Portal 769-1603	URL	Download
----------------------------	-----	----------

---

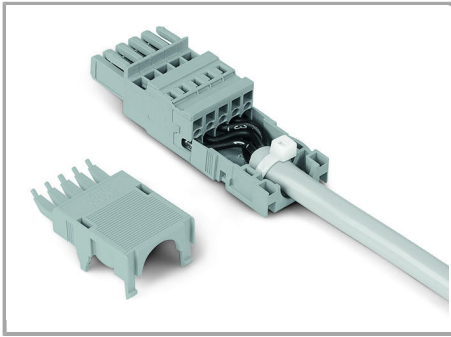
WSCAD Universe 769-1603	URL	Download
-------------------------	-----	----------

---

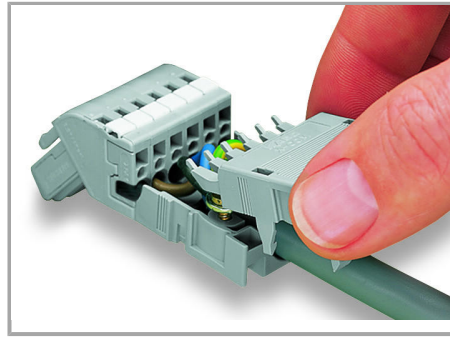
## Installation Notes

### Assembly

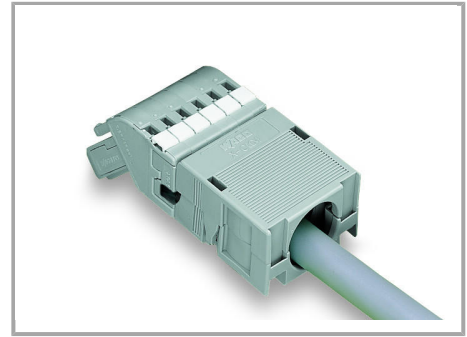
Subject to changes. Please also observe the further product documentation!



2- to 5-pole strain relief housings feature one cable outlet (rear side).



Snapping on a strain relief housing.

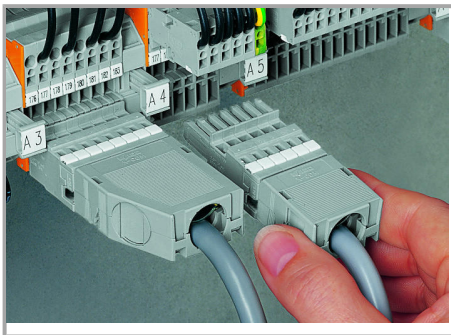


Snap-on type strain relief housing, consists of strain relief support and housing, 6-pole and 1-conductor female plugs, angled, 6-pole

6- to 9-pole strain relief housings feature two cable outlets and one cover.

10- to 16-pole strain relief housings feature three cable outlets and two covers.

#### Application



Application:

Snap-on type strain relief housings for 769 Series

Subject to changes. Please also observe the further product documentation!