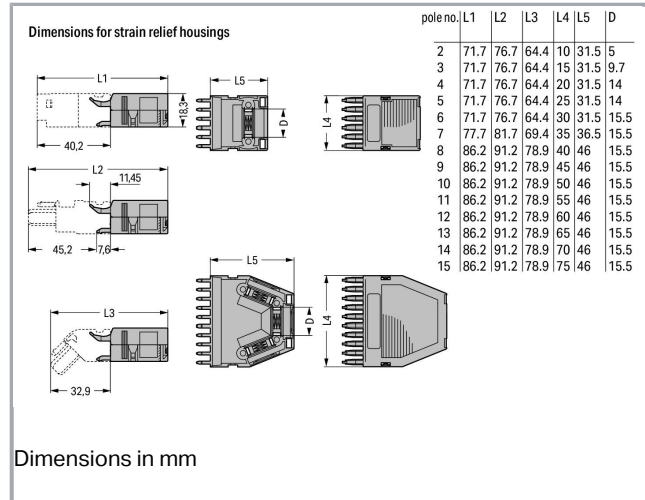


RoHS  Compliant

BOMcheck.net

Color:



## Data

### Connection data

No. of poles 2

### Geometrical Data

Width 10 mm / 0.394 inch

Height 18.3 mm / 0.72 inch

Depth 31.5 mm / 1.24 inch

### Material Data

Color gray

Fire load 0.085 MJ

Weight 2.9 g

Subject to changes. Please also observe the further product documentation!

## Commercial data

Product Group	18 (X-COM-System)
Packaging type	BOX
Country of origin	DE
GTIN	4017332652926
Customs Tariff No.	85389099990

## Counterpart

## Compatible products

### Marking accessories


**Item no.: 209-501**

WSB marking card; as card; not stretchable; plain; snap-on type; white

[www.wago.com/209-501](http://www.wago.com/209-501)

**Item no.: 209-501/000-002**

WSB marking card; as card; not stretchable; plain; snap-on type; yellow

[www.wago.com/209-501/000-002](http://www.wago.com/209-501/000-002)

**Item no.: 209-501/000-005**

WSB marking card; as card; not stretchable; plain; snap-on type; red

[www.wago.com/209-501/000-005](http://www.wago.com/209-501/000-005)
**Item no.: 209-501/000-006**

WSB marking card; as card; not stretchable; plain; snap-on type; blue

[www.wago.com/209-501/000-006](http://www.wago.com/209-501/000-006)
**Item no.: 209-501/000-007**

WSB marking card; as card; not stretchable; plain; snap-on type; gray

[www.wago.com/209-501/000-007](http://www.wago.com/209-501/000-007)
**Item no.: 209-501/000-012**

WSB marking card; as card; not stretchable; plain; snap-on type; orange

[www.wago.com/209-501/000-012](http://www.wago.com/209-501/000-012)

**Item no.: 209-501/000-017**

WSB marking card; as card; not stretchable; plain; snap-on type; light green

[www.wago.com/209-501/000-017](http://www.wago.com/209-501/000-017)

**Item no.: 209-501/000-023**

WSB marking card; as card; not stretchable; plain; snap-on type; green

[www.wago.com/209-501/000-023](http://www.wago.com/209-501/000-023)
**Item no.: 209-501/000-024**

WSB marking card; as card; not stretchable; plain; snap-on type; violet

[www.wago.com/209-501/000-024](http://www.wago.com/209-501/000-024)

Subject to changes. Please also observe the further product documentation!

WAGO Kontakttechnik GmbH &amp; Co. KG

Hansastr. 27

32423 Minden

Phone: +49571 887-0 | Fax: +49571 887-169

 Email: [info.de@wago.com](mailto:info.de@wago.com) | Web: [www.wago.com](http://www.wago.com)

Do you have any questions about our products?

We are always happy to take your call at +49 (571) 887-44222.



---

## Downloads

### Documentation

#### Additional Information

Technical explanations	Apr 3, 2019	pdf 2.1 MB	Download
------------------------	-------------	---------------	----------

---

## CAD/CAE-Data

### CAD data

2D/3D Models 769-1602	URL	Download
-----------------------	-----	----------

---

### CAE data

EPLAN Data Portal 769-1602	URL	Download
----------------------------	-----	----------

---

WSCAD Universe 769-1602	URL	Download
-------------------------	-----	----------

---

## Installation Notes

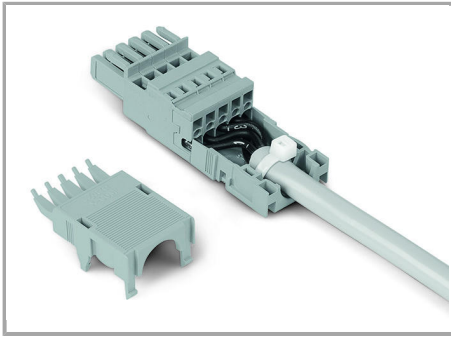
### Assembly

Subject to changes. Please also observe the further product documentation!

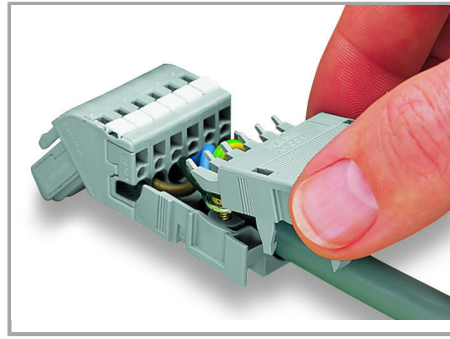
---

WAGO Kontakttechnik GmbH & Co. KG  
Hansastr. 27  
32423 Minden  
Phone: +49571 887-0 | Fax: +49571 887-169  
Email: [info.de@wago.com](mailto:info.de@wago.com) | Web: [www.wago.com](http://www.wago.com)

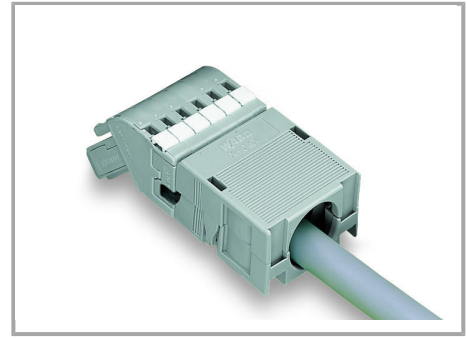
Do you have any questions about our products?  
We are always happy to take your call at +49 (571) 887-44222.



2- to 5-pole strain relief housings feature one cable outlet (rear side).



Snapping on a strain relief housing.

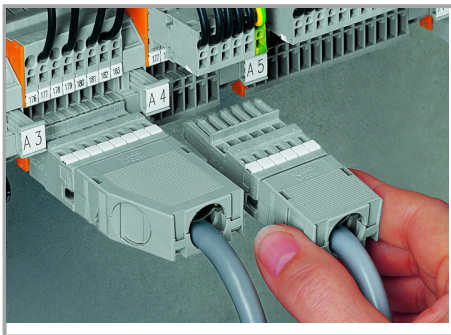


Snap-on type strain relief housing, consists of strain relief support and housing, 6-pole and 1-conductor female plugs, angled, 6-pole

6- to 9-pole strain relief housings feature two cable outlets and one cover.

10- to 16-pole strain relief housings feature three cable outlets and two covers.

#### Application



Application:

Snap-on type strain relief housings for 769 Series

Subject to changes. Please also observe the further product documentation!