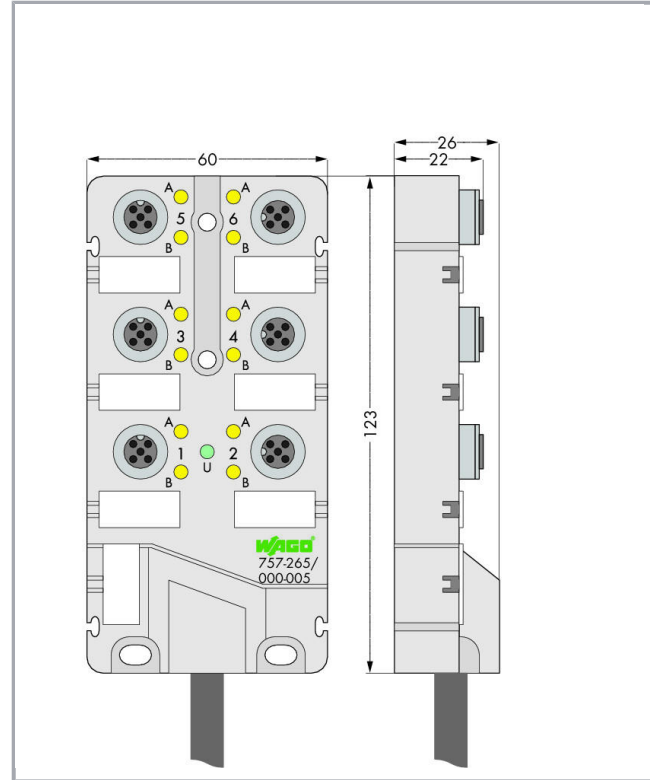


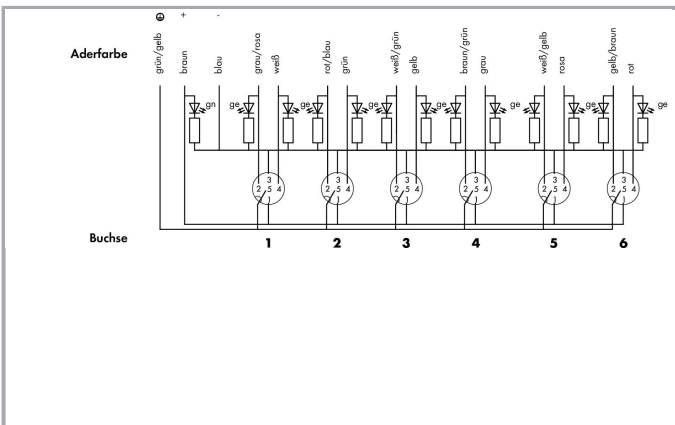
Data sheet | Item number: 757-265/000-005

M12 sensor/actuator box; 6-way; 5-pole; 5m connecting cable

[www.wago.com/757-265/000-005](http://www.wago.com/757-265/000-005)



RoHS Compliant



### Item description

Subject to changes. Please also observe the further product documentation!

WAGO Kontakttechnik GmbH & Co. KG  
Hansastr. 27  
32423 Minden  
Phone: +49571 887-0 | Fax: +49571 887-169  
Email: [info.de@wago.com](mailto:info.de@wago.com) | Web: [www.wago.com](http://www.wago.com)

Do you have any questions about our products?  
We are always happy to take your call at +49 (571) 887-44222.



- M12 sensor/actuator box, 6-way
- 5-pole (2 signals per contact)
- Cable length: 5 and 10 m
- Green LED operating indicator
- Yellow LED status indicator
- incl. markers (10 pcs)
- incl. M12 protective caps (2 pcs)

## Data

### Technical Data

Contact resistance max.	0.01 Ω
Supply voltage	DC 10 ... 30 V; Rated voltage: 32 V ~ rms
Current carrying capacity of the signal connections	2 A
Current carrying capacity of the supply connections	9 A
Bemessungswert der galvanischen Trennung	500 V
Funktional getrennte Potentialgruppen	Kontakt/Kontakt
Insulation resistance	1000 MΩ
Signal characteristic	PNP
Indicators	LED (A, B) yellow: Signal status (2 x per contact); LED (U) green: Sensor/actuator box status

### Connection data

Connection technology: In-/Outputs	6 x M12 socket; 5-pole; incl. ground
Connection technology: trunk cable	1 x Fixed connecting cable
Length of the connecting cable	5 m
Strip length	100 mm / 3.94 inch
Colors of the leads	white, gray/pink, green, red/blue, yellow, white/green, gray, brown /green, pink, white/yellow, red, yellow/brown, green/yellow, brown, blue
Conductor cross section	Wire cross-section: 0,34 mm <sup>2</sup> ; Wire cross-section (2): 1 mm <sup>2</sup>

### Geometrical Data

Width	60 mm / 2.362 inch
Height	26 mm / 1.024 inch
Depth	123 mm / 4.843 inch

Subject to changes. Please also observe the further product documentation!

WAGO Kontakttechnik GmbH & Co. KG  
 Hansastr. 27  
 32423 Minden  
 Phone: +49571 887-0 | Fax: +49571 887-169  
 Email: [info.de@wago.com](mailto:info.de@wago.com) | Web: [www.wago.com](http://www.wago.com)

Do you have any questions about our products?  
 We are always happy to take your call at +49 (571) 887-44222.



## Mechanical data

Mounting type	Screw mounting
---------------	----------------

## Material Data

Housing material	PA 66 (UL 94 V0); RAL 7035; silicon and halogen free
Halogen-free	Yes
Cable diameter	8,8 mm
bending radius	10 x cable diameter (min.) for flexible application
Materialeigenschaften der Anschlüsse	Contact: CuSn, nickel base-coat plating and 0.8 µm gold-plated; Threaded bush: die-cast Zn, nickel-plated; Seal: Viton; 50 mating cycles
Sheath material	PUR
Color of sheathed cable	black
Potting	Fully encapsulated with conformal coating (UL 94 V0)

## Environmental Requirements

Surrounding air (operating) temperature	-25 ... 80 °C
Umgebungstemperatur (Betrieb) bewegt	-5 ... +80 °C
Umgebungstemperatur (Betrieb) ruhend	-40 ... +80 °C
Protection class	IP68
Note on protection class	72 h at a depth of 1 m under water per EN 60529 in the fully locked position with its plugs or protective caps
Degree of pollution (5)	3 per VDE 0110
Vibration resistance	per IEC 60068-2-6
Shock resistance	per IEC 60068-2-27

## Commercial data

Packaging type	BOX
Country of origin	DE
GTIN	4045454028435
Customs Tariff No.	85366990990

## Approvals / Certificates

### UL-Approvals

Logo	Approval	Additional Approval Text	Certificate name
------	----------	--------------------------	------------------

Subject to changes. Please also observe the further product documentation!

WAGO Kontakttechnik GmbH & Co. KG  
Hansastr. 27  
32423 Minden  
Phone: +49571 887-0 | Fax: +49571 887-169  
Email: [info.de@wago.com](mailto:info.de@wago.com) | Web: [www.wago.com](http://www.wago.com)

Do you have any questions about our products?  
We are always happy to take your call at +49 (571) 887-44222.



UL  
UL International Germany GmbH (ORDINARY  
LOCATIONS)

UL 508

E175199  
Sec.5

## Counterpart

## Compatible products

### General accessories

<b>Item no.: 756-8102</b> M12 protective cap; for unused sockets; -	<a href="http://www.wago.com/756-8102">www.wago.com/756-8102</a>
--	--

<b>Item no.: 757-060</b> Spacer module for sensor/actuator box; 6-way	<a href="http://www.wago.com/757-060">www.wago.com/757-060</a>
--	--

### Marking accessories

<b>Item no.: 210-110</b> Fiber-tip pen	<a href="http://www.wago.com/210-110">www.wago.com/210-110</a>
---	--



<b>Item no.: 757-011</b> Marker card; not stretchable; snap-on type; white	<a href="http://www.wago.com/757-011">www.wago.com/757-011</a>
---	--

## Downloads

### Documentation

#### Additional Information

Disposal; Electrical and electronic equipment, Packaging	V 1.0.0	pdf 265.8 kB	Download
--	---------	-----------------	----------

#### System Description

Sensor/Actuator Boxes – General Product Information	pdf 537.3 kB	Download
---	-----------------	----------

## CAD/CAE-Data

### CAD data

2D/3D Models 757-265/000-005	URL	Download
------------------------------	-----	----------

### CAE data

Subject to changes. Please also observe the further product documentation!

WAGO Kontakttechnik GmbH & Co. KG  
Hansastr. 27  
32423 Minden  
Phone: +49571 887-0 | Fax: +49571 887-169  
Email: [info.de@wago.com](mailto:info.de@wago.com) | Web: [www.wago.com](http://www.wago.com)

Do you have any questions about our products?  
We are always happy to take your call at +49 (571) 887-44222.



EPLAN Data Portal 757-265/000-005	<a href="#">URL</a>	<a href="#">Download</a>
WSCAD Universe 757-265/000-005	<a href="#">URL</a>	<a href="#">Download</a>

## Installation Notes

Subject to changes. Please also observe the further product documentation!

WAGO Kontakttechnik GmbH & Co. KG  
Hansastr. 27  
32423 Minden  
Phone: +49571 887-0 | Fax: +49571 887-169  
Email: [info.de@wago.com](mailto:info.de@wago.com) | Web: [www.wago.com](http://www.wago.com)

Do you have any questions about our products?  
We are always happy to take your call at +49 (571) 887-44222.