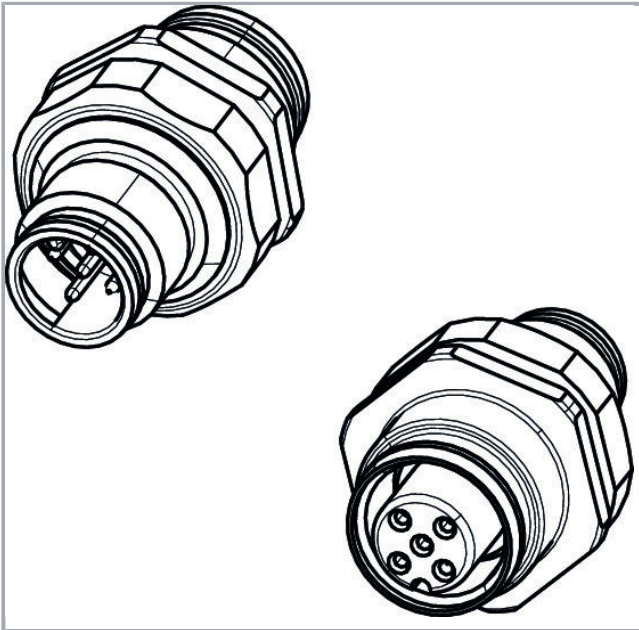


Subject to changes. Please also observe the further product documentation!

WAGO Kontakttechnik GmbH & Co. KG
Hansastr. 27
32423 Minden
Phone: +49571 887-0 | Fax: +49571 887-169
Email: info.de@wago.com | Web: www.wago.com

Do you have any questions about our products?
We are always happy to take your call at +49 (571) 887-44222.



Data

Technical Data

Connection type	M12 socket - M12 plug
No. of poles	4
Steckgesichtkodierung Leitung/Adapter 1 1	A coded
Steckgesichtkodierung Leitung/Adapter 2 1	A coded

Mechanical data

Weight	22.3 g
--------	--------

Environmental Requirements

Protection class	IP67
------------------	------

Commercial data

Packaging type	BOX
Country of origin	DE
GTIN	4050821618881
Customs Tariff No.	85366990990

Counterpart

Subject to changes. Please also observe the further product documentation!

WAGO Kontakttechnik GmbH & Co. KG
 Hansastr. 27
 32423 Minden
 Phone: +49571 887-0 | Fax: +49571 887-169
 Email: info.de@wago.com | Web: www.wago.com

Do you have any questions about our products?
 We are always happy to take your call at +49 (571) 887-44222.



Downloads

CAD/CAE-Data

CAE data

WSCAD Universe 756-9217/050-000

URL

Download

Installation Notes

Subject to changes. Please also observe the further product documentation!

WAGO Kontakttechnik GmbH & Co. KG

Hansastr. 27

32423 Minden

Phone: +49571 887-0 | Fax: +49571 887-169

Email: info.de@wago.com | Web: www.wago.com

Do you have any questions about our products?

We are always happy to take your call at +49 (571) 887-44222.