

Data sheet | Item number: 756-9216/050-000

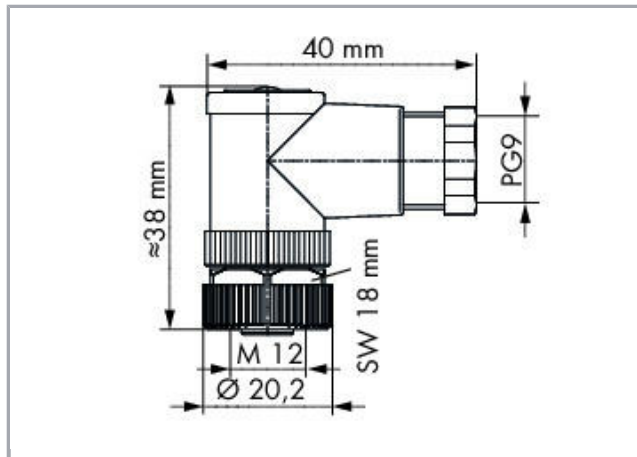
Accessories; 5-pole

[www.wago.com/756-9216/050-000](http://www.wago.com/756-9216/050-000)



RoHS   
Compliant

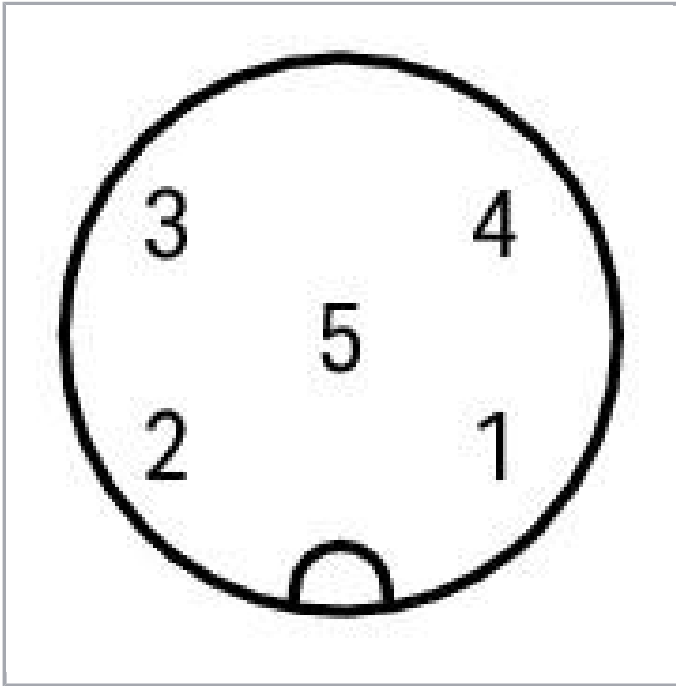
[BOMcheck.net](https://www.bomcheck.net)



Subject to changes. Please also observe the further product documentation!

WAGO Kontakttechnik GmbH & Co. KG  
Hansastr. 27  
32423 Minden  
Phone: +49571 887-0 | Fax: +49571 887-169  
Email: [info.de@wago.com](mailto:info.de@wago.com) | Web: [www.wago.com](http://www.wago.com)

Do you have any questions about our products?  
We are always happy to take your call at +49 (571) 887-44222.



## Conductor size

 $\varnothing 6 \dots 8 \text{ mm} / 0.14 - 0.5 \text{ mm}^2$ 

## Data

## Technical Data

Connection type	M12 socket
No. of poles	5
Leitungsanschlussrichtung zur Steckrichtung	90°
Steckgesichtskodierung Leitung/Adapter 1 1	A coded

## Connection data

Connection type (1)	Federtechnik
---------------------	--------------

## Mechanical data

Connectable sheathed cable diameter	6 ... 8 mm
Weight	31 g

## Environmental Requirements

Surrounding air (operating) temperature	-25 ... 85 °C
Protection class	IP67

Subject to changes. Please also observe the further product documentation!



## Commercial data

Packaging type	BOX
Country of origin	DE
GTIN	4050821114369
Customs Tariff No.	85369010000

## Counterpart

### Downloads

#### CAD/CAE-Data

##### CAE data

WSCAD Universe 756-9216/050-000	URL	Download
---------------------------------	-----	----------

## Installation Notes

Subject to changes. Please also observe the further product documentation!

WAGO Kontakttechnik GmbH & Co. KG  
Hansastr. 27  
32423 Minden  
Phone: +49571 887-0 | Fax: +49571 887-169  
Email: [info.de@wago.com](mailto:info.de@wago.com) | Web: [www.wago.com](http://www.wago.com)

Do you have any questions about our products?  
We are always happy to take your call at +49 (571) 887-44222.