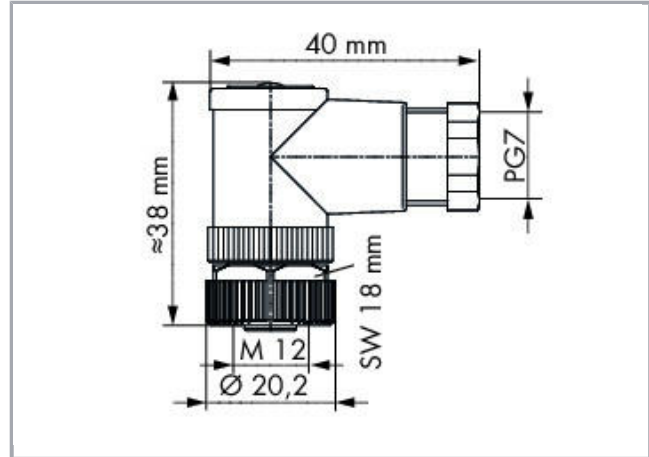


Data sheet | Item number: 756-9215/040-000

Accessories; 4-pole

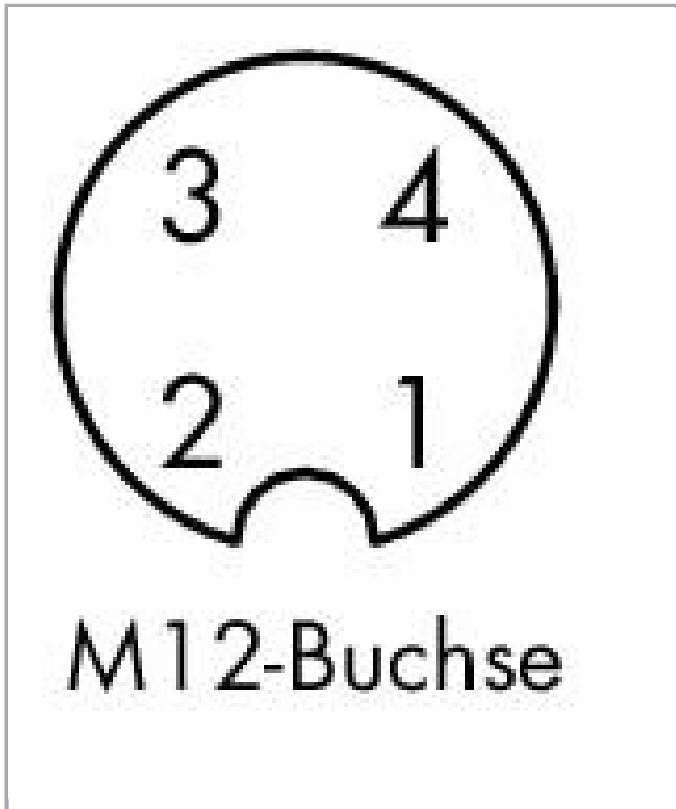
www.wago.com/756-9215/040-000



Subject to changes. Please also observe the further product documentation!

WAGO Kontakttechnik GmbH & Co. KG
Hansastr. 27
32423 Minden
Phone: +49571 887-0 | Fax: +49571 887-169
Email: info.de@wago.com | Web: www.wago.com

Do you have any questions about our products?
We are always happy to take your call at +49 (571) 887-44222.



Conductor size

 $\varnothing 6 \dots 8 \text{ mm} / 0.14 - 0.5 \text{ mm}^2$
Data**Technical Data**

Connection type	M12 socket
No. of poles	4
Leitungsanschlussrichtung zur Steckrichtung	90°
Steckgesichtskodierung Leitung/Adapter 1 1	A coded

Connection data

Connection type (1)	Federtechnik
---------------------	--------------

Mechanical data

Connectable sheathed cable diameter	4 ... 6 mm
Weight	25.3 g

Environmental Requirements

Protection class	IP67
------------------	------

Subject to changes. Please also observe the further product documentation!



Commercial data

Packaging type	BOX
Country of origin	DE
GTIN	4045454686130
Customs Tariff No.	85369010000

Counterpart

Downloads

Documentation

System Description

IP67 Cables and Pluggable Connectors	pdf 293.9 kB	Download
--------------------------------------	-----------------	----------

CAD/CAE-Data

CAE data

WSCAD Universe 756-9215/040-000	URL	Download
---------------------------------	-----	----------

Installation Notes

Subject to changes. Please also observe the further product documentation!