

Data sheet | Item number: 756-5311/060-015

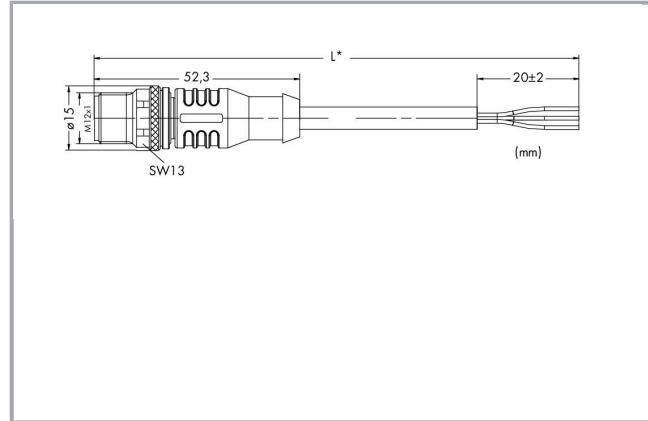
Sensor/Actuator cable; 5-pole; Length: 1.5 m

www.wago.com/756-5311/060-015



RoHS 
Compliant

[BOMcheck.net](https://www.bomcheck.net)



Subject to changes. Please also observe the further product documentation!

WAGO Kontakttechnik GmbH & Co. KG
Hansastr. 27
32423 Minden
Phone: +49571 887-0 | Fax: +49571 887-169
Email: info.de@wago.com | Web: www.wago.com

Do you have any questions about our products?
We are always happy to take your call at +49 (571) 887-44222.



Pin 1 ... 5: 0,34 mm ²	
1	braun (+)
2	weiß (Ö)
3	blau (-)
4	schwarz (S)
5	grau
Schirm	

Item description

Short description:

- PUR, halogen-free
- Suitable for drag chains
- High resistance to microbes, hydrolysis, oil, chemicals and UV radiation
- High chemical resistance
- Cable used: UL listed

Data

Technical Data

Connection type	M12 plug - free end
No. of poles	5
Anschlusspunkt geschirmt	yes
Leitungsanschlussrichtung zur Steckrichtung	0°
Steckgesichtskodierung Leitung/Adapter 1 1	A-coded

Subject to changes. Please also observe the further product documentation!



Cable length	1.5 m
Operating voltage	250 VAC/DC
Operating current	4 A
Rated surge voltage	1.5 kV

Mechanical data

Bending cycles	2 Mio.
Schleppkettentauglichkeit	yes
Color of sheathed cable	black
Cable diameter	6,3 ... 6,7 mm
Sheath material	Polyurethane (OPUR), halogen-free per DIN VDE 0472 Part 815, flame resistant per IEC 332-2, self-extinguishing
Halogen-free	Yes
Housing material	Polyurethane (PUR)
Contact material	CuSn
Contact plating	CuNi/Au
Tightening torque	1 Nm
Weight	110 g

Environmental Requirements

Umgebungstemperatur (Betrieb) bewegt	-25 ... +90 °C
Umgebungstemperatur (Betrieb) ruhend	-50 ... +90 °C
Protection class	IP67
Degree of pollution (5)	3 per VDE 0110

Commercial data

Packaging type	BOX
Country of origin	HU
GTIN	4045454942168
Customs Tariff No.	85444290900

Counterpart

Downloads

Documentation

System Description

Subject to changes. Please also observe the further product documentation!

WAGO Kontakttechnik GmbH & Co. KG
 Hansastr. 27
 32423 Minden
 Phone: +49571 887-0 | Fax: +49571 887-169
 Email: info.de@wago.com | Web: www.wago.com

Do you have any questions about our products?
 We are always happy to take your call at +49 (571) 887-44222.



IP67 Cables and Pluggable Connectors

pdf
293.9 kB

[Download](#)

CAD/CAE-Data

CAE data

WSCAD Universe 756-5311/060-015

[URL](#)

[Download](#)

Installation Notes

Subject to changes. Please also observe the further product documentation!

WAGO Kontakttechnik GmbH & Co. KG
Hansastr. 27
32423 Minden
Phone: +49571 887-0 | Fax: +49571 887-169
Email: info.de@wago.com | Web: www.wago.com

Do you have any questions about our products?
We are always happy to take your call at +49 (571) 887-44222.