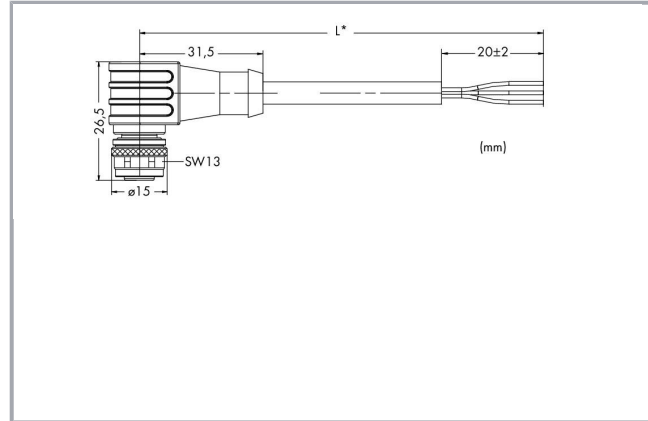
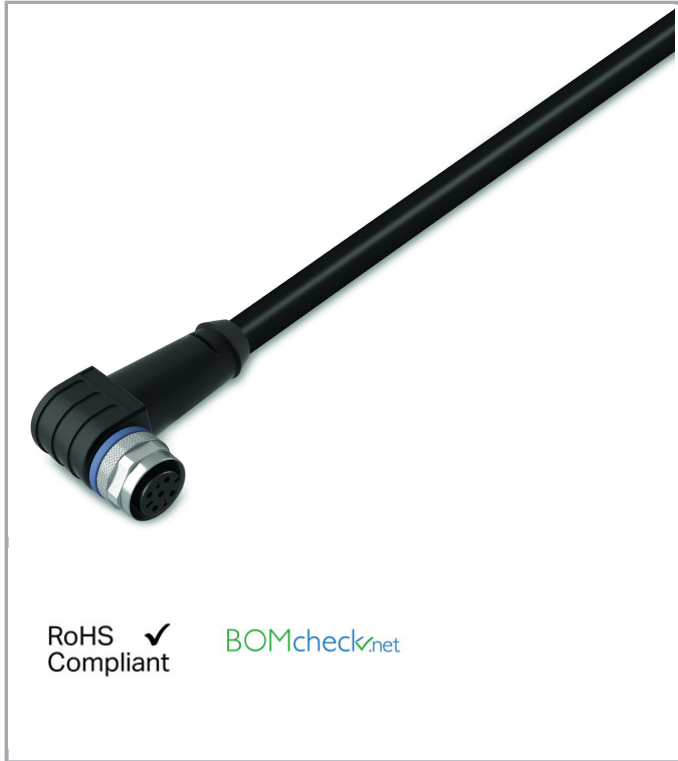


Data sheet | Item number: 756-5302/040-050

Sensor/Actuator cable; 4-pole; Length: 5 m

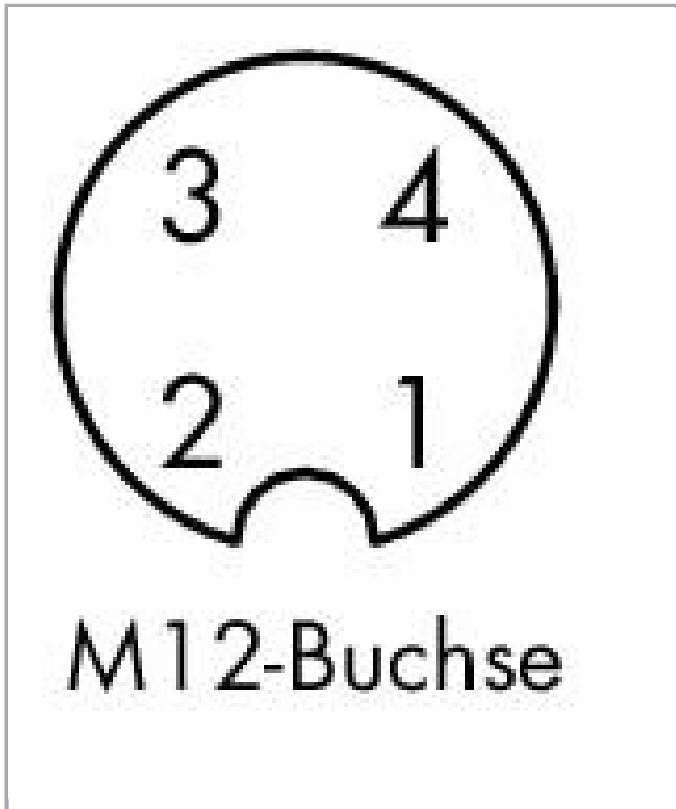
[www.wago.com/756-5302/040-050](http://www.wago.com/756-5302/040-050)



Subject to changes. Please also observe the further product documentation!

WAGO Kontakttechnik GmbH & Co. KG  
Hansastr. 27  
32423 Minden  
Phone: +49571 887-0 | Fax: +49571 887-169  
Email: [info.de@wago.com](mailto:info.de@wago.com) | Web: [www.wago.com](http://www.wago.com)

Do you have any questions about our products?  
We are always happy to take your call at +49 (571) 887-44222.



Pin 1 ... 5: 0,34 mm<sup>2</sup>

1	braun (+)
2	weiß (Ö)
3	blau (-)
4	schwarz (S)
5	grau
Schirm	

## Item description

### Short description:

- PUR, halogen-free
- Suitable for drag chains
- High resistance to microbes, hydrolysis, oil, chemicals and UV radiation
- High chemical resistance
- Cable used: UL listed

## Data

### Technical Data

Connection type	M12 socket - free end
No. of poles	4
Leitungsanschlussrichtung zur Steckrichtung	90°
Steckgesichtskodierung Leitung/Adapter 1 1	A-coded
Cable length	5 m
Operating voltage	250 VAC/DC

Subject to changes. Please also observe the further product documentation!

WAGO Kontakttechnik GmbH & Co. KG  
 Hansastr. 27  
 32423 Minden  
 Phone: +49571 887-0 | Fax: +49571 887-169  
 Email: [info.de@wago.com](mailto:info.de@wago.com) | Web: [www.wago.com](http://www.wago.com)

Do you have any questions about our products?  
 We are always happy to take your call at +49 (571) 887-44222.



Operating current	4 A
Rated surge voltage	2.5 kV

### Mechanical data

Bending cycles	2 Mio.
Schleppkettentauglichkeit	yes
Color of sheathed cable	black
Cable diameter	4,5 ... 4,9 mm
Sheath material	Polyurethane (OPUR), halogen-free per DIN VDE 0472 Part 815, flame resistant per IEC 332-2, self-extinguishing
Halogen-free	Yes
Housing material	Polyurethane (PUR)
Contact material	CuSn
Contact plating	CuNi/Au
Tightening torque	1 Nm
Weight	165 g

### Environmental Requirements

Umgebungstemperatur (Betrieb) bewegt	-25 ... +90 °C
Umgebungstemperatur (Betrieb) ruhend	-50 ... +90 °C
Protection class	IP67
Degree of pollution (5)	3 per VDE 0110

### Commercial data

Packaging type	BOX
Country of origin	HU
GTIN	4044918974967
Customs Tariff No.	85444290900

### Counterpart

### Downloads

#### Documentation

#### System Description

IP67 Cables and Pluggable Connectors	pdf 293.9 kB	Download
--------------------------------------	-----------------	----------

Subject to changes. Please also observe the further product documentation!

WAGO Kontakttechnik GmbH & Co. KG  
 Hansastr. 27  
 32423 Minden  
 Phone: +49571 887-0 | Fax: +49571 887-169  
 Email: [info.de@wago.com](mailto:info.de@wago.com) | Web: [www.wago.com](http://www.wago.com)

Do you have any questions about our products?  
 We are always happy to take your call at +49 (571) 887-44222.



## CAD/CAE-Data

### CAE data

WSCAD Universe 756-5302/040-050

URL

Download

---

## Installation Notes

Subject to changes. Please also observe the further product documentation!

---

WAGO Kontakttechnik GmbH & Co. KG  
Hansastr. 27  
32423 Minden  
Phone: +49571 887-0 | Fax: +49571 887-169  
Email: [info.de@wago.com](mailto:info.de@wago.com) | Web: [www.wago.com](http://www.wago.com)

Do you have any questions about our products?  
We are always happy to take your call at +49 (571) 887-44222.