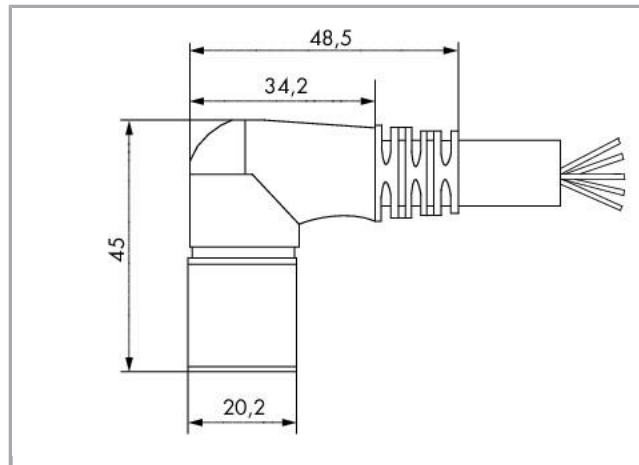


Data sheet | Item number: 756-3206/140-250

Connecting cable; 14-pole; Length: 25 m

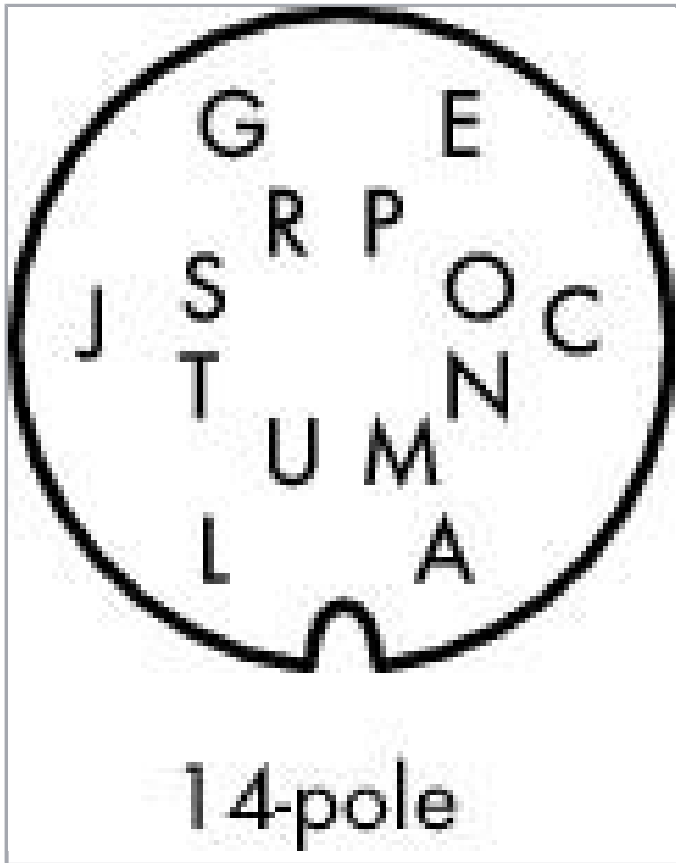
www.wago.com/756-3206/140-250



Subject to changes. Please also observe the further product documentation!

WAGO Kontakttechnik GmbH & Co. KG
Hansastr. 27
32423 Minden
Phone: +49571 887-0 | Fax: +49571 887-169
Email: info.de@wago.com | Web: www.wago.com

Do you have any questions about our products?
We are always happy to take your call at +49 (571) 887-44222.



Pin A, L: 0.75 mm²
 Pin C - J, N - T: 0.34 mm²

A	brown	N	pink-brown
C	white-pink	O	violet
E	black	P	white
G	pink	R	red
J	green	S	gray
L	blue	T	yellow
M	commoned with A	U	commoned with L

Data

Technical Data

Connection type	M16 socket - free end
No. of poles	14
Leitungsanschlussrichtung zur Steckrichtung	90°
Cable length	25 m
Operating voltage	150 V
Operating current	4 A
Operating current	6 A (0.75 mm ²)
Rated surge voltage	1.2 kV

Mechanical data

Bending cycles	2 Mio.
Schleppkettentauglichkeit	yes
Cable diameter	8,9 ... 9,3 mm
Weight	2615 g

Subject to changes. Please also observe the further product documentation!

WAGO Kontakttechnik GmbH & Co. KG
 Hansastr. 27
 32423 Minden
 Phone: +49571 887-0 | Fax: +49571 887-169
 Email: info.de@wago.com | Web: www.wago.com

Do you have any questions about our products?
 We are always happy to take your call at +49 (571) 887-44222.



Environmental Requirements

Umgebungstemperatur (Betrieb) bewegt	-30 ... +90 °C
Umgebungstemperatur (Betrieb) ruhend	-40 ... +90 °C
Protection class	IP67

Commercial data

Packaging type	BOX
Country of origin	DE
GTIN	4045454975333
Customs Tariff No.	85444290900

Counterpart

Downloads

Documentation

System Description

Sensor/Actuator Boxes – General Product Information	pdf 537.3 kB	Download
---	-----------------	----------

Installation Notes

Subject to changes. Please also observe the further product documentation!