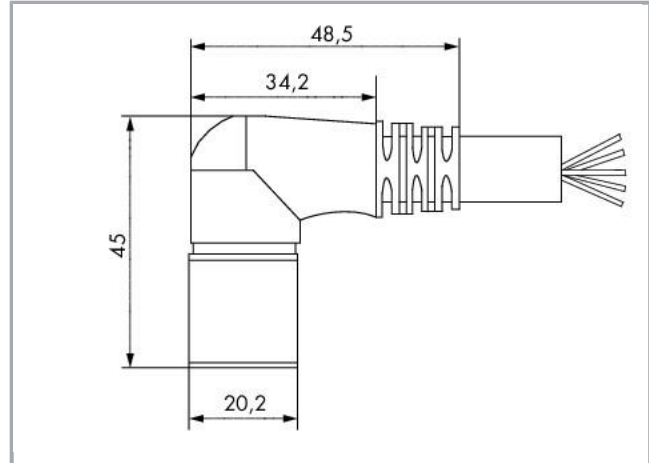


Data sheet | Item number: 756-3206/140-050

Connecting cable; 14-pole; Length: 5 m

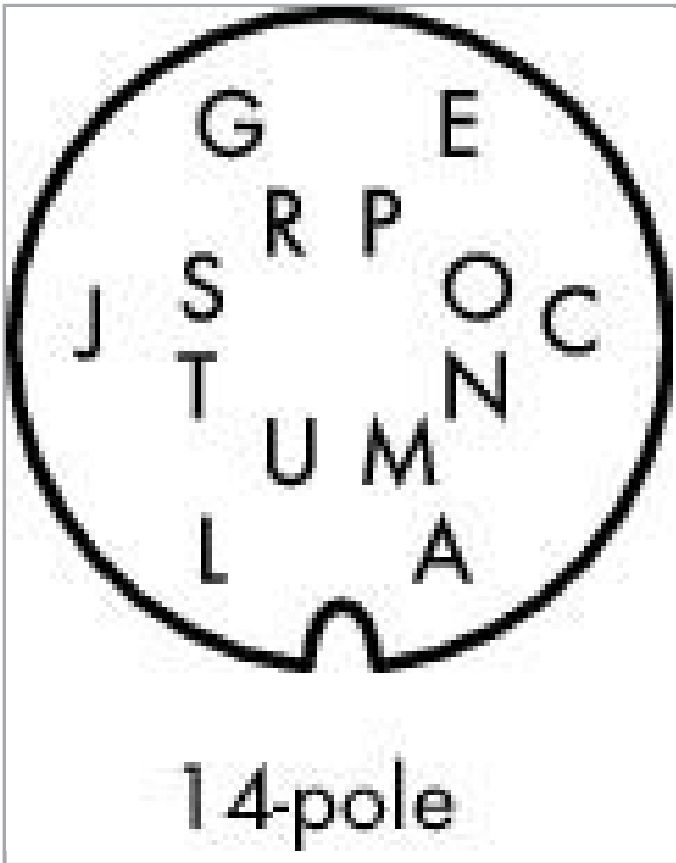
[www.wago.com/756-3206/140-050](http://www.wago.com/756-3206/140-050)



Subject to changes. Please also observe the further product documentation!

WAGO Kontakttechnik GmbH & Co. KG  
Hansastr. 27  
32423 Minden  
Phone: +49571 887-0 | Fax: +49571 887-169  
Email: [info.de@wago.com](mailto:info.de@wago.com) | Web: [www.wago.com](http://www.wago.com)

Do you have any questions about our products?  
We are always happy to take your call at +49 (571) 887-44222.



Pin A, L: 0.75 mm<sup>2</sup>  
 Pin C - J, N - T: 0.34 mm<sup>2</sup>

A	brown	N	pink-brown
C	white-pink	O	violet
E	black	P	white
G	pink	R	red
J	green	S	gray
L	blue	T	yellow
M	commoned with A	U	commoned with L

## Data

### Technical Data

Connection type	M16 socket - free end
No. of poles	14
Leitungsanschlussrichtung zur Steckrichtung	90°
Cable length	5 m
Operating voltage	150 V
Operating current	4 A
Operating current	6 A (0.75 mm <sup>2</sup> )
Rated surge voltage	1.2 kV

### Mechanical data

Bending cycles	2 Mio.
Schleppkettentauglichkeit	yes
Cable diameter	8,9 ... 9,3 mm
Weight	610 g

Subject to changes. Please also observe the further product documentation!

WAGO Kontakttechnik GmbH & Co. KG  
 Hansastr. 27  
 32423 Minden  
 Phone: +49571 887-0 | Fax: +49571 887-169  
 Email: [info.de@wago.com](mailto:info.de@wago.com) | Web: [www.wago.com](http://www.wago.com)

Do you have any questions about our products?  
 We are always happy to take your call at +49 (571) 887-44222.



## Environmental Requirements

Umgebungstemperatur (Betrieb) bewegt	-30 ... +90 °C
Umgebungstemperatur (Betrieb) ruhend	-40 ... +90 °C
Protection class	IP67

## Commercial data

Packaging type	BOX
Country of origin	DE
GTIN	4044918978538
Customs Tariff No.	85444290900

## Counterpart

### Downloads

#### Documentation

##### System Description

Sensor/Actuator Boxes – General Product Information	pdf 537.3 kB	Download
---	-----------------	----------

## CAD/CAE-Data

### CAE data

WSCAD Universe 756-3206/140-050	URL	Download
---------------------------------	-----	----------

## Installation Notes

Subject to changes. Please also observe the further product documentation!