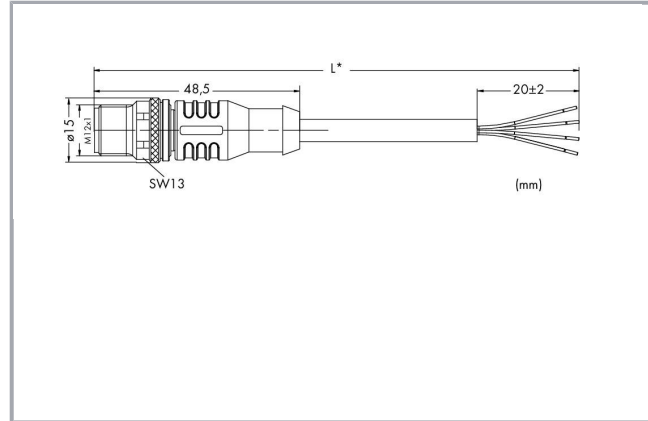


Data sheet | Item number: 756-3103/040-050

Power supply cable, straight; 5 m; fitted on one end; A-coded; M12 plug, straight; one free cable end; gray

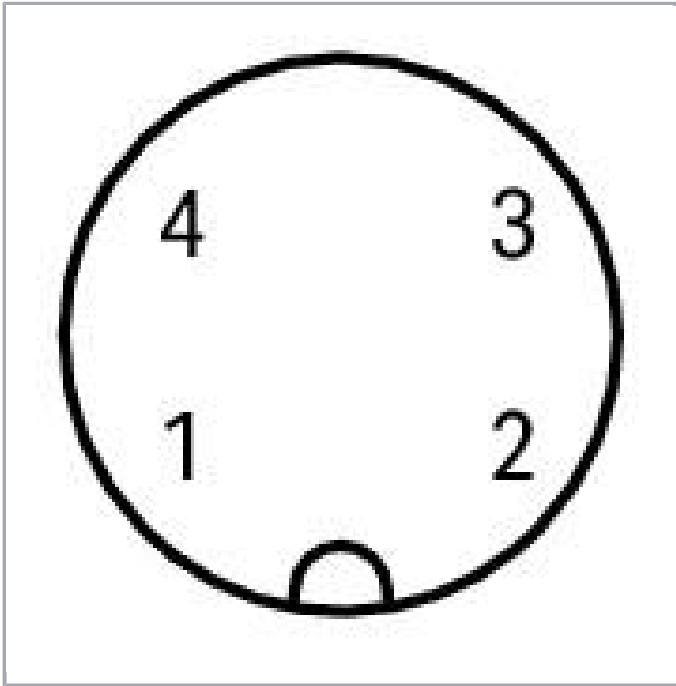
www.wago.com/756-3103/040-050



Subject to changes. Please also observe the further product documentation!

WAGO Kontakttechnik GmbH & Co. KG
Hansastr. 27
32423 Minden
Phone: +49571 887-0 | Fax: +49571 887-169
Email: info.de@wago.com | Web: www.wago.com

Do you have any questions about our products?
We are always happy to take your call at +49 (571) 887-44222.



Pin 1 ... 4: 0,75 mm ²			
1)	braun	■ 1
2)	weiß	■ 2
3)	blau	■ 3
4)	schwarz	■ 4

Item description

Short description:

- PUR, halogen-free
- UL / CSA
- Suitable for drag chains
- Silicon- and CFC-free
- High resistance to microbes, hydrolysis, oil, chemicals and UV radiation
- High chemical resistance
- Cable used: UL listed

Data

Technical Data

Connection type	M12 plug - free end
No. of poles	4
Leitungsanschlussrichtung zur Steckrichtung	0°
Steckgesichtskodierung Leitung/Adapter 1 1	A-coded
Cable length	5 m
Operating voltage	250 VAC/DC
Operating current	4 A

Subject to changes. Please also observe the further product documentation!

WAGO Kontakttechnik GmbH & Co. KG
 Hansastr. 27
 32423 Minden
 Phone: +49571 887-0 | Fax: +49571 887-169
 Email: info.de@wago.com | Web: www.wago.com

Do you have any questions about our products?
 We are always happy to take your call at +49 (571) 887-44222.



Rated surge voltage	2.5 kV
Contact resistance	10 MΩ
Insulation resistance	1000 MΩ
Resistance of conductor	≤ 26 Ω/km

Mechanical data

bending radius	10 x cable diameter (min.) for flexible application
Bending cycles	4 Mio.
Schleppkettentauglichkeit	yes
Cable diameter	6 ... 6,4 mm
Bauartkurzzeichen	Lif9YH-11YH 4x0.75 mm ²
Conductor design	Bare copper wire (40 x 0.15 mm)
Leiterisolierung	PP9Y (halogen-free)
Housing material	TPU/TPU, black (~ RAL 9005)
Tightening torque	1 Nm
Weight	10 g
Color	gray

Environmental Requirements

Umgebungstemperatur (Betrieb) bewegt	-30 ... +80 °C
Umgebungstemperatur (Betrieb) ruhend	-30 ... +80 °C
Protection class	IP67
Degree of pollution (5)	3/2 per IEC 60664-1

Commercial data

Packaging type	BOX
Country of origin	DE
GTIN	4045454772499
Customs Tariff No.	85444290900

Counterpart

Downloads

Documentation

System Description

I/O-SYSTEM – SPFFDWAY General Product Information

Subject to changes. Please also observe the further product documentation!

WAGO Kontakttechnik GmbH & Co. KG
 Hansastr. 27
 32423 Minden
 Phone: +49571 887-0 | Fax: +49571 887-169
 Email: info.de@wago.com | Web: www.wago.com

Do you have any questions about our products?
 We are always happy to take your call at +49 (571) 887-44222.

Data sheet | Item number: 756-3103/040-050

www.wago.com/756-3103/040-050



WAGO SYSTEM OF LEDWAT, General Product Information

pdf
1.1 MB

Download

CAD/CAE-Data

CAE data

WSCAD Universe 756-3103/040-050

URL

Download

Installation Notes

Subject to changes. Please also observe the further product documentation!

WAGO Kontakttechnik GmbH & Co. KG
Hansastr. 27
32423 Minden
Phone: +49571 887-0 | Fax: +49571 887-169
Email: info.de@wago.com | Web: www.wago.com

Do you have any questions about our products?
We are always happy to take your call at +49 (571) 887-44222.