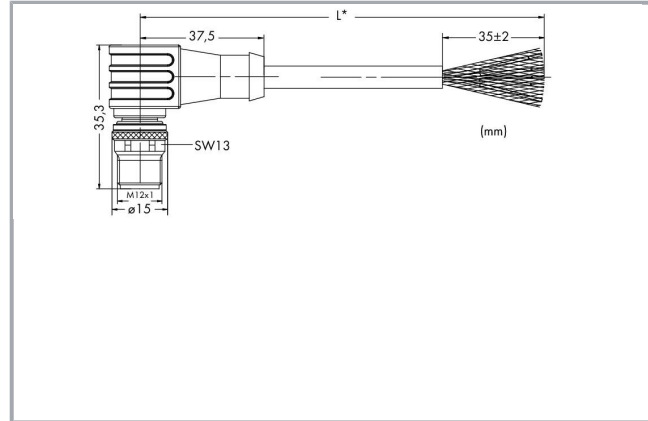


Data sheet | Item number: 756-1404/060-020
CANopen/DeviceNet cable; 5-pole; Length: 2 m

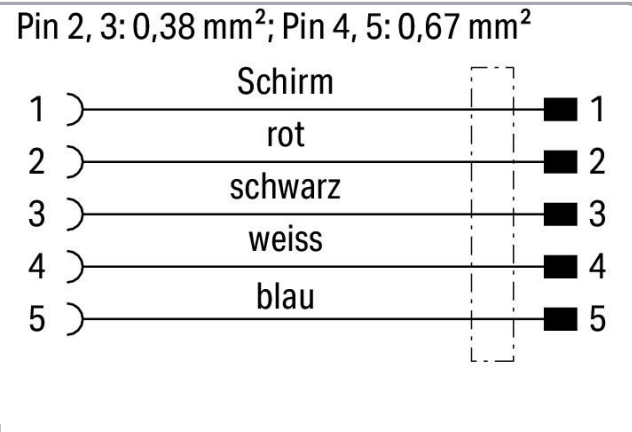
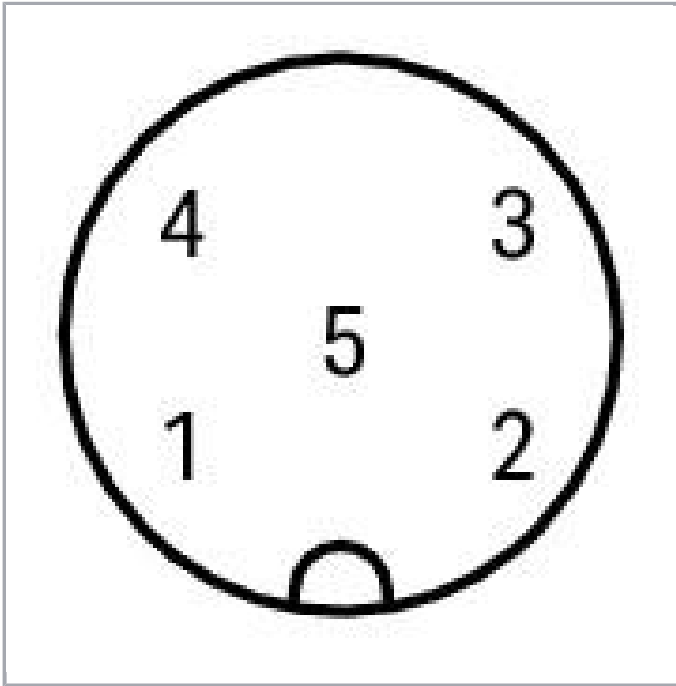
www.wago.com/756-1404/060-020



Subject to changes. Please also observe the further product documentation!

WAGO Kontakttechnik GmbH & Co. KG
Hansastr. 27
32423 Minden
Phone: +49571 887-0 | Fax: +49571 887-169
Email: info.de@wago.com | Web: www.wago.com

Do you have any questions about our products?
We are always happy to take your call at +49 (571) 887-44222.



Item description

Short description:

- PUR VT, halogen-free
- Suitable for drag chains
- High resistance to microbes, hydrolysis, oil, chemicals and UV radiation
- High chemical resistance
- Cable used: UL listed

Data

Technical Data

Connection type	M12 plug - free end
No. of poles	5
Leitungsanschlussrichtung zur Steckrichtung	90°
Steckgesichtskodierung Leitung/Adapter 1 1	A-coded
Cable length	2 m
Communication/Fieldbus	CANopen
Communication/Fieldbus (2)	DeviceNet
Operating voltage	≤ 300 V
Operating current	4 A

Subject to changes. Please also observe the further product documentation!

WAGO Kontakttechnik GmbH & Co. KG
 Hansastr. 27
 32423 Minden
 Phone: +49571 887-0 | Fax: +49571 887-169
 Email: info.de@wago.com | Web: www.wago.com

Do you have any questions about our products?
 We are always happy to take your call at +49 (571) 887-44222.



Rated surge voltage	2 kV
Contact resistance	10 MΩ
Insulation resistance	$\geq 2 \times 10^8 \Omega/\text{km}$
Resistance of conductor	$\leq 57 \Omega/\text{km}$ (22 AWG) + $\leq 79 \Omega/\text{km}$ (24 AWG)

Mechanical data

bending radius	5 x cable diameter (min.)
Bending cycles	5 Mio.
Schleppkettentauglichkeit	yes
Cable diameter	6,6 ... 7,2 mm
Bauartkurzzeichen	L-02YC11Y 2xAWG24 + 2xAWG22/1.4-120 VI FRNC, geschirmt
Screening	tinned copper braid, optical coverage approx. 85 %
Conductor design	Bare copper wire (19 x 0.125 mm)
Leiterisolierung	PE (halogen-free)
Housing material	TPU/TPU, black (~ RAL 9005)
Tightening torque	1 Nm
Weight	151 g
Color	violet

Environmental Requirements

Umgebungstemperatur (Betrieb) bewegt	-40 ... +80 °C
Umgebungstemperatur (Betrieb) ruhend	-40 ... +80 °C
Protection class	IP67
Degree of pollution (5)	3/2 per IEC 60664-1

Commercial data

Packaging type	BOX
Country of origin	DE
GTIN	4045454640927
Customs Tariff No.	85444290900

Counterpart

Downloads

Documentation

System Description

Subject to changes. Please also observe the further product documentation!

WAGO Kontakttechnik GmbH & Co. KG
 Hansastr. 27
 32423 Minden
 Phone: +49571 887-0 | Fax: +49571 887-169
 Email: info.de@wago.com | Web: www.wago.com

Do you have any questions about our products?
 We are always happy to take your call at +49 (571) 887-44222.



I/O-SYSTEM – SPEEDWAY, General Product Information

pdf
1.1 MB

Download

CAD/CAE-Data

CAE data

WSCAD Universe 756-1404/060-020

URL

Download

Installation Notes

Subject to changes. Please also observe the further product documentation!

WAGO Kontakttechnik GmbH & Co. KG
Hansastr. 27
32423 Minden
Phone: +49571 887-0 | Fax: +49571 887-169
Email: info.de@wago.com | Web: www.wago.com

Do you have any questions about our products?
We are always happy to take your call at +49 (571) 887-44222.