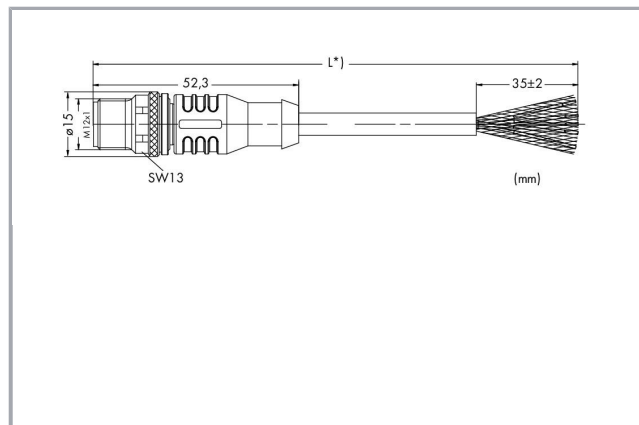


Data sheet | Item number: 756-1201/060-020

ETHERNET cable; 4-pole; M12 plug, axial; Length: 2 m

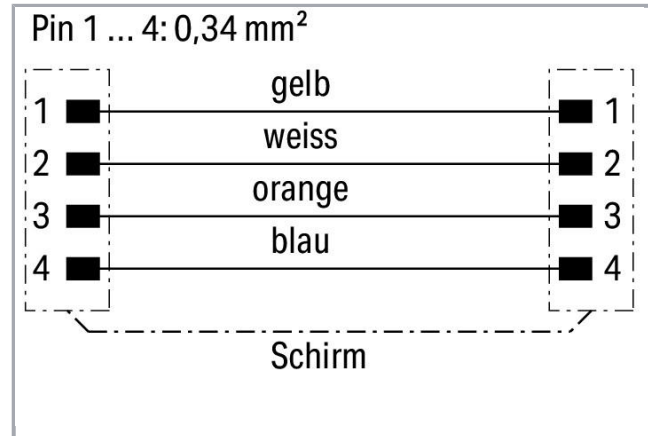
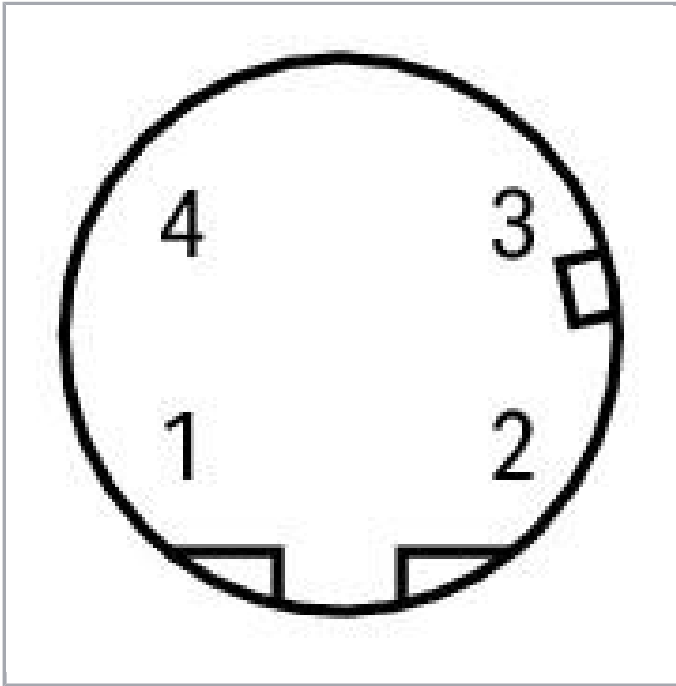
www.wago.com/756-1201/060-020



Subject to changes. Please also observe the further product documentation!

WAGO Kontakttechnik GmbH & Co. KG
Hansastr. 27
32423 Minden
Phone: +49571 887-0 | Fax: +49571 887-169
Email: info.de@wago.com | Web: www.wago.com

Do you have any questions about our products?
We are always happy to take your call at +49 (571) 887-44222.



Item description

Short description:

- PUR GN, halogen-free
- CAT 5e ES
- Suitable for drag chains
- Silicon- and CFC-free
- High resistance to microbes, hydrolysis, oil, ozone, chemicals and UV radiation
- Cable used: UL listed

Data

Technical Data

Connection type	M12 plug - free end
No. of poles	4
Leitungsanschlussrichtung zur Steckerichtung	0°
Steckgesichtskodierung Leitung/Adapter 1 1	D-coded
Cable length	2 m
Communication/Fieldbus	Ethernet
Communication/Fieldbus (2)	PROFINET
Operating voltage	250 V

Subject to changes. Please also observe the further product documentation!

WAGO Kontakttechnik GmbH & Co. KG
 Hansastr. 27
 32423 Minden
 Phone: +49571 887-0 | Fax: +49571 887-169
 Email: info.de@wago.com | Web: www.wago.com

Do you have any questions about our products?
 We are always happy to take your call at +49 (571) 887-44222.



Operating current	4 A
Rated surge voltage	2 kV
Contact resistance	10 MΩ
Insulation resistance	≥ 5 x 10 ⁸ Ω/km
Resistance of conductor	< 57 Ω/km

Mechanical data

bending radius	Single: 5 x cable diameter (min.); Multiple: 7.5 x cable diameter (min.)
Bending cycles	3 Mio.
Schleppkettentauglichkeit	yes
Cable diameter	6,3 ... 6,7 mm
Bauartkurzzeichen	02YH(ST)C11Y 2x2x0.75/1.5-100 LI GN VZN FRNC, shielded
Screening	Overlapped aluminum-laminated foil and tinned copper braid, optical coverage approx. 85 %
Conductor design	Bare copper wire (7 x 0.25 mm)
Leiterisolierung	PE (halogen-free)
Housing material	TPU/TPU, black (~ RAL 9005)
Tightening torque	1 Nm
Weight	140 g

Environmental Requirements

Umgebungstemperatur (Betrieb) bewegt	-40 ... +70 °C
Umgebungstemperatur (Betrieb) ruhend	-40 ... +70 °C
Protection class	IP67
Degree of pollution (5)	3/2 per IEC 60664-1

Commercial data

Packaging type	BOX
Country of origin	DE
GTIN	4045454521752
Customs Tariff No.	85444290900

Counterpart

Subject to changes. Please also observe the further product documentation!

WAGO Kontakttechnik GmbH & Co. KG
 Hansastr. 27
 32423 Minden
 Phone: +49571 887-0 | Fax: +49571 887-169
 Email: info.de@wago.com | Web: www.wago.com

Do you have any questions about our products?
 We are always happy to take your call at +49 (571) 887-44222.



Downloads

Documentation

System Description

I/O-SYSTEM – SPEEDWAY, General Product Information

pdf
1.1 MB

[Download](#)

CAD/CAE-Data

CAE data

WSCAD Universe 756-1201/060-020

URL

[Download](#)

Installation Notes

Subject to changes. Please also observe the further product documentation!

WAGO Kontakttechnik GmbH & Co. KG

Hansastr. 27

32423 Minden

Phone: +49571 887-0 | Fax: +49571 887-169

Email: info.de@wago.com | Web: www.wago.com

Do you have any questions about our products?

We are always happy to take your call at +49 (571) 887-44222.