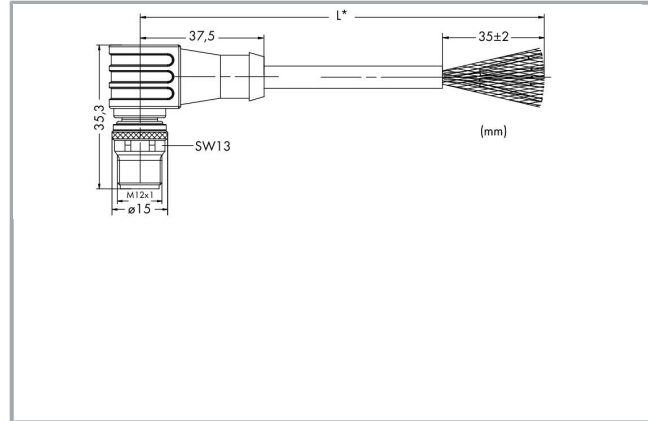


Data sheet | Item number: 756-1104/060-020

PROFIBUS cable; 5-pole; M12 plug, right angle; Length: 2 m

www.wago.com/756-1104/060-020



RoHS Compliant

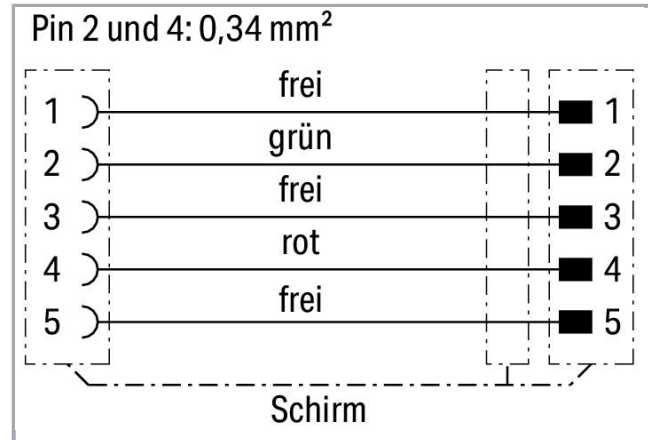
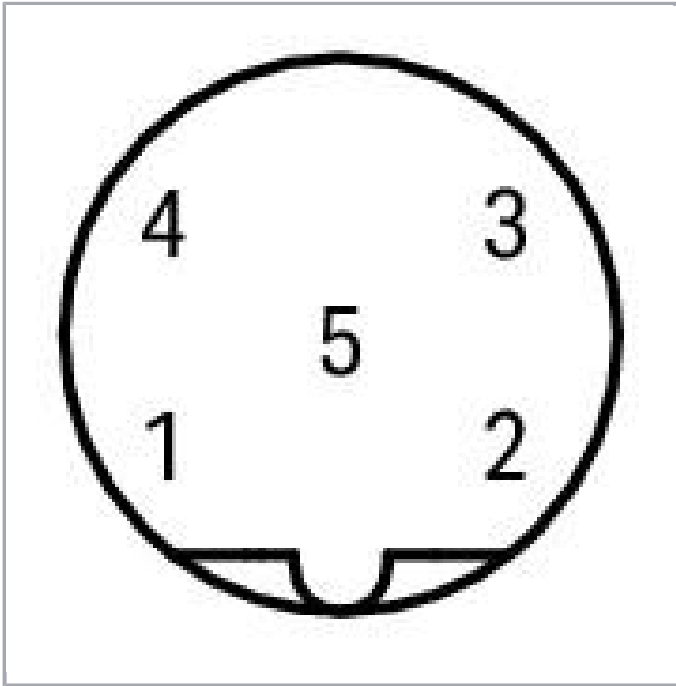
[BOMcheck.net](https://www.bomcheck.net)

Color:

Subject to changes. Please also observe the further product documentation!

WAGO Kontakttechnik GmbH & Co. KG
Hansastr. 27
32423 Minden
Phone: +49571 887-0 | Fax: +49571 887-169
Email: info.de@wago.com | Web: www.wago.com

Do you have any questions about our products?
We are always happy to take your call at +49 (571) 887-44222.



Item description

Short description:

- PUR, halogen-free
- Suitable for drag chains
- Silicon- and PVC-free
- High resistance to microbes, hydrolysis, oil, chemicals and UV radiation
- High chemical resistance

Data

Technical Data

Connection type	M12 plug - free end
No. of poles	5
Leitungsanschlussrichtung zur Steckrichtung	90°
Steckgesichtskodierung Leitung/Adapter 1 1	B-coded
Cable length	2 m
Communication/Fieldbus	PROFIBUS
Operating voltage	≤ 300 V
Operating current	4 A
Rated surge voltage	2 kV

Subject to changes. Please also observe the further product documentation!

WAGO Kontakttechnik GmbH & Co. KG
 Hansastr. 27
 32423 Minden
 Phone: +49571 887-0 | Fax: +49571 887-169
 Email: info.de@wago.com | Web: www.wago.com

Do you have any questions about our products?
 We are always happy to take your call at +49 (571) 887-44222.



Insulation resistance	> 2500 M Ω /km
Resistance of conductor	max. 55 Ω /km; Loop resistance: max. 110 Ω /km

Mechanical data

bending radius	> 10 x cable \emptyset (flexible use); > 5 x cable \emptyset in drag chain (fixed installation)
Bending cycles	1 Mio.
Schleppkettentauglichkeit	yes
Cable diameter	7,3 ... 7,9 mm
Bauartkurzzeichen	LI02YS-(ST)CB11Y 1X(2X0.34SQMM)
Screening	Shielding braid, (approx. 5.90 mm \emptyset), tinned CU-ETP1, coverage 85 % \pm 5 %
Conductor design	Bare copper wire (19 x 0.15 mm)
Leiterisolierung	PE (halogen-free); Filler: PP yarn
Housing material	TPU/TPU, black (~ RAL 9005)
Tightening torque	1 Nm
Weight	140 g
Color	violet

Environmental Requirements

Umgebungstemperatur (Betrieb) bewegt	-25 ... +60 °C
Umgebungstemperatur (Betrieb) ruhend	-50 ... +60 °C
Protection class	IP67
Degree of pollution (5)	3/2 per IEC 60664-1

Commercial data

Packaging type	BOX
Country of origin	DE
GTIN	4045454521639
Customs Tariff No.	85444290900

Counterpart

Downloads

Documentation

System Description

Subject to changes. Please also observe the further product documentation!

WAGO Kontakttechnik GmbH & Co. KG
 Hansastr. 27
 32423 Minden
 Phone: +49571 887-0 | Fax: +49571 887-169
 Email: info.de@wago.com | Web: www.wago.com

Do you have any questions about our products?
 We are always happy to take your call at +49 (571) 887-44222.

Data sheet | Item number: 756-1104/060-020

www.wago.com/756-1104/060-020



I/O-SYSTEM – SPEEDWAY, General Product Information

pdf
1.1 MB

Download

CAD/CAE-Data

CAE data

WSCAD Universe 756-1104/060-020

URL

Download

Installation Notes

Subject to changes. Please also observe the further product documentation!

WAGO Kontakttechnik GmbH & Co. KG

Hansastr. 27

32423 Minden

Phone: +49571 887-0 | Fax: +49571 887-169

Email: info.de@wago.com | Web: www.wago.com

Do you have any questions about our products?

We are always happy to take your call at +49 (571) 887-44222.