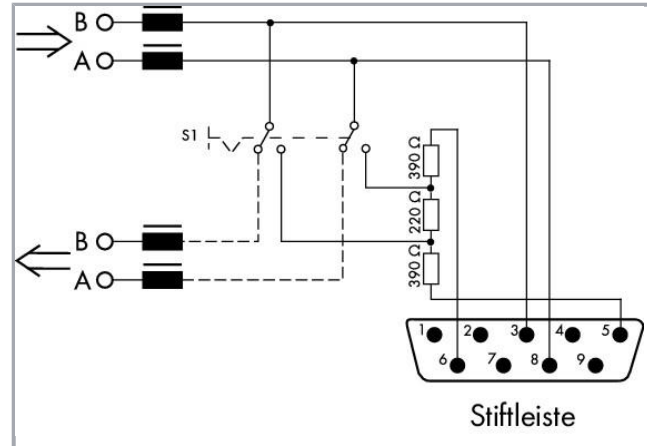
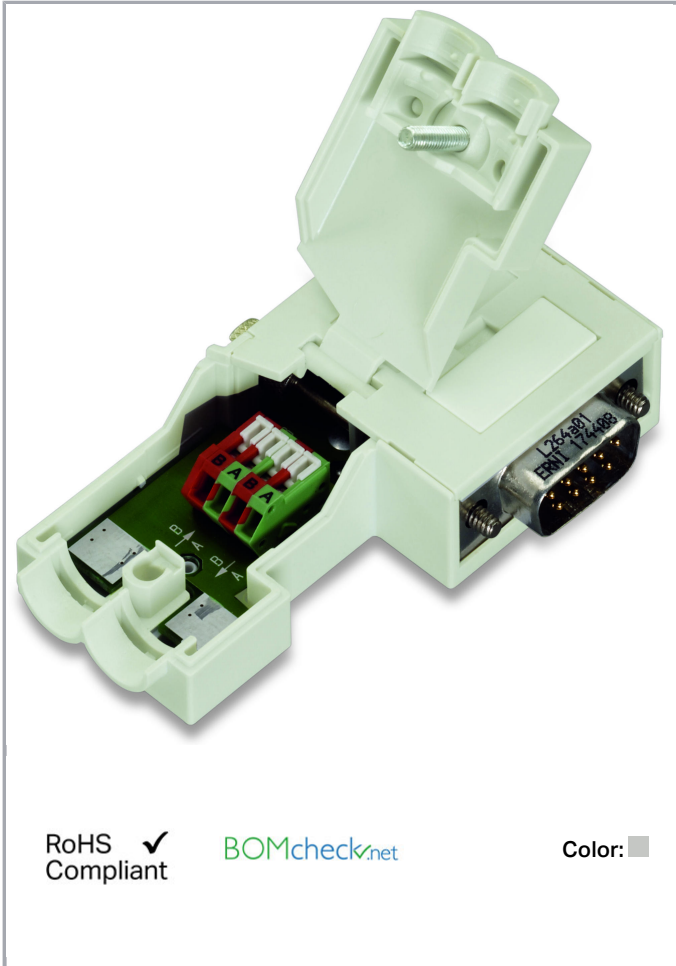


Data sheet | Item number: 750-971

Fieldbus Connector PROFIBUS; with D-sub male connector; 9-pole; light gray

[www.wago.com/750-971](http://www.wago.com/750-971)



RoHS  Compliant

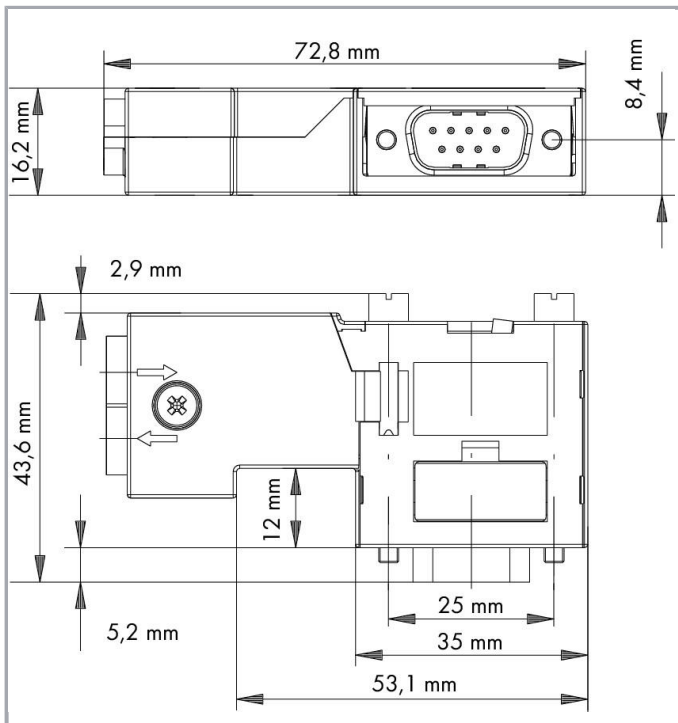
BOMcheck.net

Color:

Subject to changes. Please also observe the further product documentation!

WAGO Kontakttechnik GmbH & Co. KG  
Hansastr. 27  
32423 Minden  
Phone: +49571 887-0 | Fax: +49571 887-169  
Email: [info.de@wago.com](mailto:info.de@wago.com) | Web: [www.wago.com](http://www.wago.com)

Do you have any questions about our products?  
We are always happy to take your call at +49 (571) 887-44222.



## Item description

This fieldbus connector links a PROFIBUS device to a PROFIBUS line.

The fieldbus connector has the following features:

- Compact design Perfectly connects to an S7 PLC
- No losable parts
- Two horizontal cable entries for both input and output.
- Fast and maintenance-free CAGE CLAMP® connection – a locking slide keeps the clamping unit in its open position
- Externally operable switch to activate or deactivate the network terminating resistor

For the first and last station on the bus, the switch must be set to "ON" (terminating resistor activated, outgoing bus line disconnected) Switch setting to "OFF" for downstream bus stations (terminating resistor deactivated)

## Data

### Technical Data

Connection type	D-sub 9 plug
No. of poles	9
Communication/Fieldbus	PROFIBUS

Subject to changes. Please also observe the further product documentation!



Baud rate	12 Mbit/s (per PROFIBUS specification)
Supply voltage	DC 4,75 ... 5,25 V
Input current	5 mA

### Connection data

Connection type (1)	CAGE CLAMP <sup>®</sup> terminal strip with locking slide (218 Series)
Solid conductor	0,08 ... 0,5 mm <sup>2</sup> / 28 ... 20 AWG
Strip length	5 ... 6 mm / 0.2 ... 0.24 inch

### Geometrical Data

Width	43,6 mm / 1.717 inch
Height	16,2 mm / 0.638 inch
Depth	72,8 mm / 2.866 inch

### Mechanical data

Connectable sheathed cable diameter	8,5 mm
Leitungseinführungen, Anzahl	2
Housing material	PC-V0
Weight	45 g
Color	light gray

### Environmental Requirements

Surrounding air (operating) temperature	0 ... 60 °C
Surrounding air (storage) temperature	-25 ... 85 °C
Protection class	IP20
Relative air humidity (no condensation)	95 %

### Commercial data

Product Group	15 (Remote I/O)
Packaging type	BOX
Country of origin	DE
GTIN	4045454633875
Customs Tariff No.	85366990990

### Counterpart

Subject to changes. Please also observe the further product documentation!

WAGO Kontakttechnik GmbH & Co. KG  
 Hansastr. 27  
 32423 Minden  
 Phone: +49571 887-0 | Fax: +49571 887-169  
 Email: [info.de@wago.com](mailto:info.de@wago.com) | Web: [www.wago.com](http://www.wago.com)

Do you have any questions about our products?  
 We are always happy to take your call at +49 (571) 887-44222.



## Downloads

### Documentation

#### Additional Information

---

Disposal; Electrical and electronic equipment, Packaging	V 1.0.0	pdf 265.8 kB	Download
--	---------	-----------------	----------

---

## CAD/CAE-Data

### CAE data

---

EPLAN Data Portal 750-971		URL	Download
WSCAD Universe 750-971		URL	Download

---

## Installation Notes

Subject to changes. Please also observe the further product documentation!