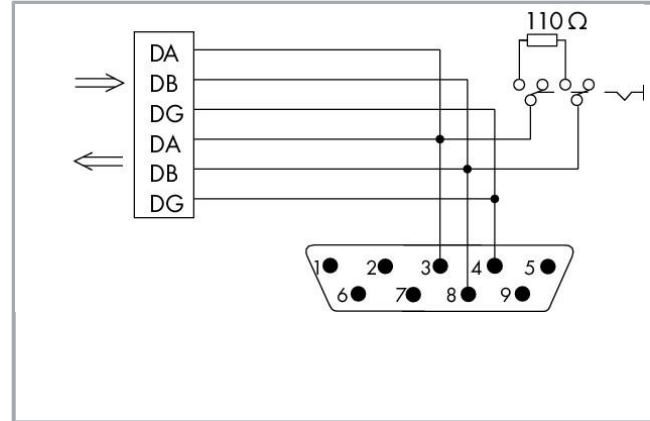
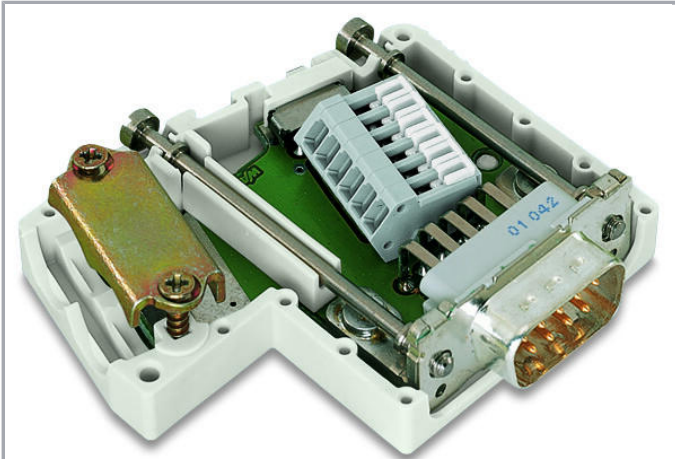


Data sheet | Item number: 750-965

Fieldbus Connector CC-Link; with D-sub male connector; 9-pole; light gray

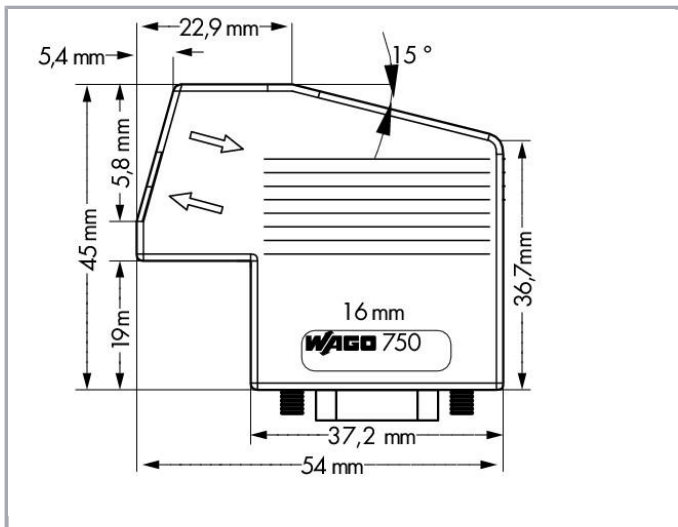
www.wago.com/750-965



RoHS Compliant

BOMcheck.net

Color:



Item description

This fieldbus connector links a CC-Link device to a CC-Link line.

Subject to changes. Please also observe the further product documentation!

WAGO Kontakttechnik GmbH & Co. KG
Hansastr. 27
32423 Minden
Phone: +49571 887-0 | Fax: +49571 887-169
Email: info.de@wago.com | Web: www.wago.com

Do you have any questions about our products?
We are always happy to take your call at +49 (571) 887-44222.



The fieldbus connector has the following features:

- Two horizontal cable entries for both input and output.
- Fast and maintenance-free CAGE CLAMP[®] connection – a locking slide keeps the clamping unit in its open position
- Externally operable switch to activate or deactivate the network terminating resistor

For the first and last station on the bus, the switch must be set to "ON" (terminating resistor activated)

Switch setting to "OFF" for downstream bus stations
(terminating resistor deactivated)

Data

Technical Data

Connection type	D-sub 9 plug
No. of poles	9
Communication/Fieldbus	CC-Link
Baud rate	-

Connection data

Connection type (1)	CAGE CLAMP [®] terminal strip with locking slide (218 Series)
Solid conductor	0,08 ... 0,5 mm ² / 28 ... 20 AWG
Strip length	5 ... 6 mm / 0.2 ... 0.24 inch

Geometrical Data

Width	45 mm / 1.772 inch
Height	16 mm / 0.63 inch
Depth	54 mm / 2.126 inch

Mechanical data

Connectable sheathed cable diameter	4,5 ... 9,5 mm
Leitungseinführungen, Anzahl	2
Housing material	PA66-105-V2
Weight	34.1 g
Color	light gray

Environmental Requirements

Surrounding air (operating) temperature	0 ... 60 °C
Surrounding air (storage) temperature	-25 ... 85 °C

Subject to changes. Please also observe the further product documentation!




Protection class	IP20
Relative air humidity (no condensation)	95 %

Commercial data

Product Group	15 (Remote I/O)
Packaging type	bag
Country of origin	DE
GTIN	4050821096030
Customs Tariff No.	85366990990

Approvals / Certificates

UL-Approvals

Logo	Approval	Additional Approval Text	Certificate name
	UL UL International Netherlands B.V. (ORDINARY LOCATIONS)	UL 508	E175199 Sec.1

Counterpart

Downloads

Documentation

Additional Information

Disposal; Electrical and electronic equipment, Packaging	V 1.0.0	pdf 265.8 kB	Download
--	---------	-----------------	----------

CAD/CAE-Data

CAE data

EPLAN Data Portal 750-965	URL	Download
---------------------------	-----	----------

Installation Notes

Subject to changes. Please also observe the further product documentation!

WAGO Kontakttechnik GmbH & Co. KG
 Hansastr. 27
 32423 Minden
 Phone: +49571 887-0 | Fax: +49571 887-169
 Email: info.de@wago.com | Web: www.wago.com

Do you have any questions about our products?
 We are always happy to take your call at +49 (571) 887-44222.