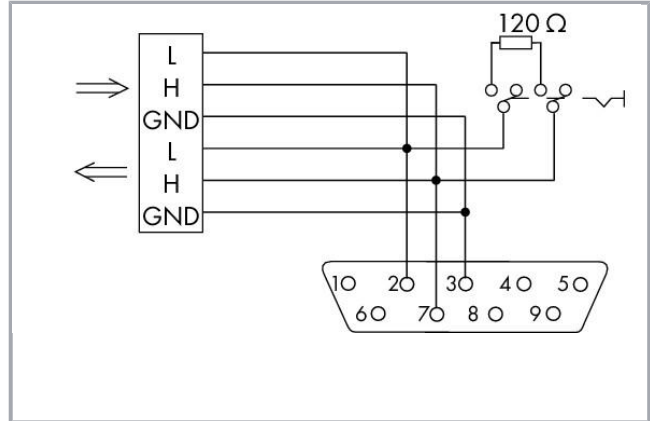
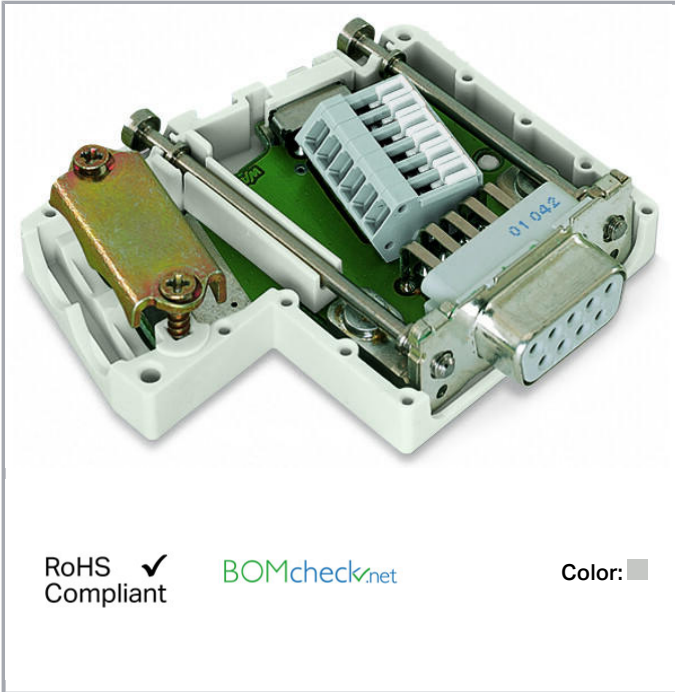


Data sheet | Item number: 750-963

Fieldbus Connector CANopen; with D-sub female connector; 9-pole; light gray



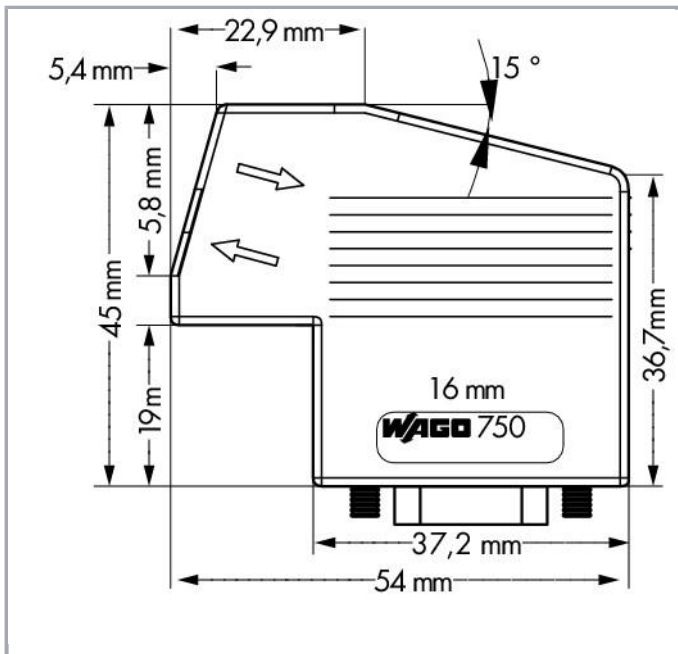
[www.wago.com/750-963](http://www.wago.com/750-963)



RoHS  Compliant

[BOMcheck.net](https://www.bomcheck.net)

Color:



Subject to changes. Please also observe the further product documentation!

WAGO Kontakttechnik GmbH & Co. KG  
Hansastr. 27  
32423 Minden  
Phone: +49571 887-0 | Fax: +49571 887-169  
Email: [info.de@wago.com](mailto:info.de@wago.com) | Web: [www.wago.com](http://www.wago.com)

Do you have any questions about our products?  
We are always happy to take your call at +49 (571) 887-44222.



## Item description

This fieldbus connector links a CANopen device to a CANopen line.

The fieldbus connector has the following features:

- Two horizontal cable entries for both input and output.
- Fast and maintenance-free CAGE CLAMP<sup>®</sup> connection – a locking slide keeps the clamping unit in its open position
- Externally operable switch to activate or deactivate the network terminating resistor

For the first and last station on the bus, the switch must be set to "ON" (terminating resistor activated)

Switch setting to "OFF" for downstream bus stations

(terminating resistor deactivated)

## Data

### Technical Data

Connection type	D-sub 9 socket
No. of poles	9
Communication/Fieldbus	CANopen
Baud rate	10 kBd ... 1 MBd (per CANopen specification)

### Connection data

Connection type (1)	CAGE CLAMP <sup>®</sup> terminal strip with locking slide (218 Series)
Solid conductor	0,08 ... 0,5 mm <sup>2</sup> / 28 ... 20 AWG
Strip length	5 ... 6 mm / 0.2 ... 0.24 inch

### Geometrical Data

Width	45 mm / 1.772 inch
Height	16 mm / 0.63 inch
Depth	54 mm / 2.126 inch

### Mechanical data

Connectable sheathed cable diameter	4,5 ... 9,5 mm
Leitungseinführungen, Anzahl	2
Housing material	PA66-105-V2
Weight	27.6 g
Color	light gray

Subject to changes. Please also observe the further product documentation!

## Environmental Requirements

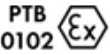

Surrounding air (operating) temperature	0 ... 60 °C
Surrounding air (storage) temperature	-25 ... 85 °C
Protection class	IP20
Relative air humidity (no condensation)	95 %
Vibration resistance	4g per IEC 60068-2-6
Fire load	0.95 MJ

## Commercial data



Product Group	15 (Remote I/O)
Packaging type	bag
Country of origin	DE
GTIN	4045454344405
Customs Tariff No.	85366990990

## Approvals / Certificates

### Ex-Approvals

Logo	Approval	Additional Approval Text	Certificate name
	ATEX TUEV Nord Cert GmbH	EN 60079-0	TÜV 07 ATEX 554086 X en.
	TUEV Nord TUEV Nord Cert GmbH	IEC 60079-0	IECEX TUN 09.0001 X

### Ship Approvals

Logo	Approval	Additional Approval Text	Certificate name
	ABS American Bureau of Shipping	-	19- HG1821926
	BV Bureau Veritas S.A.	-	30389/B0 BV
	DNV GL	-	TAA0000194

Subject to changes. Please also observe the further product documentation!



Det Norske Veritas, Germanischer Lloyd



**KR**  
Korean Register of Shipping

-

KR  
HMB05880-  
AC001



**LR**  
Lloyds Register

-

02/20026 (E6)



**NK**  
Nippon Kaiji Kyokai

-

TA17255M



**PRS**  
Polski Rejestr Statków

-

TE/2236  
/880590/19




**RINA**  
RINA Germany GmbH

-

ELE066419XG

#### UL-Approvals

Logo	Approval	Additional Approval Text	Certificate name
	<b>UL</b> UL International Netherlands B.V. (ORDINARY LOCATIONS)	UL 508	E175199 Sec.1

#### Counterpart

#### Downloads

#### Documentation

#### Additional Information

Disposal; Electrical and electronic equipment, Packaging	V 1.0.0	pdf 265.8 kB	Download
--	---------	-----------------	----------

Subject to changes. Please also observe the further product documentation!

WAGO Kontakttechnik GmbH & Co. KG  
Hansastr. 27  
32423 Minden  
Phone: +49571 887-0 | Fax: +49571 887-169  
Email: [info.de@wago.com](mailto:info.de@wago.com) | Web: [www.wago.com](http://www.wago.com)

Do you have any questions about our products?  
We are always happy to take your call at +49 (571) 887-44222.



## System Description

Overview on WAGO-I/O-SYSTEM 750 approvals

pdf  
780.2 kB

[Download](#)

---

## CAD/CAE-Data

### CAD data

2D/3D Models 750-963

[URL](#)

[Download](#)

---

### CAE data

EPLAN Data Portal 750-963

[URL](#)

[Download](#)

---

WSCAD Universe 750-963

[URL](#)

[Download](#)

---

## Installation Notes

Subject to changes. Please also observe the further product documentation!

---

WAGO Kontakttechnik GmbH & Co. KG  
Hansastr. 27  
32423 Minden  
Phone: +49571 887-0 | Fax: +49571 887-169  
Email: [info.de@wago.com](mailto:info.de@wago.com) | Web: [www.wago.com](http://www.wago.com)

Do you have any questions about our products?  
We are always happy to take your call at +49 (571) 887-44222.