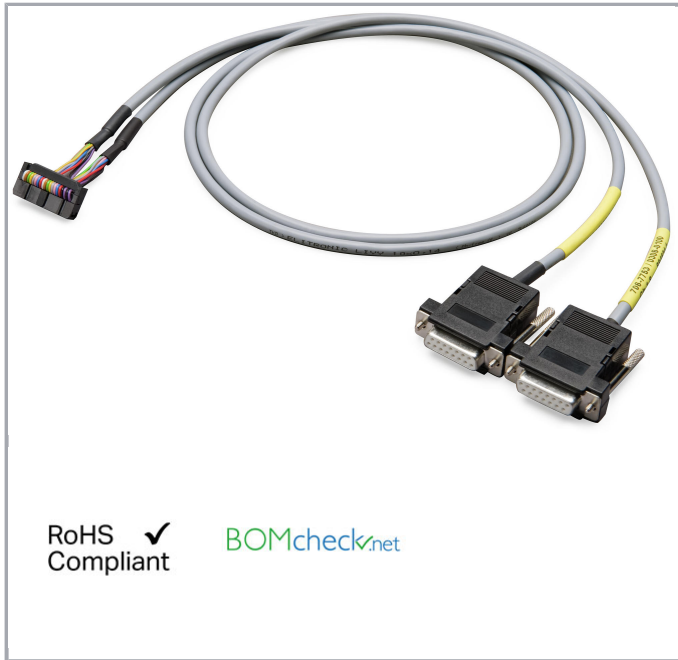


Data sheet | Item number: 706-7753/306-200

System cable; for WAGO-I/O-SYSTEM, 750 Series; 2 x 8 digital inputs or outputs; Length: 2 m; Conductor cross-section: 0.14 mm²

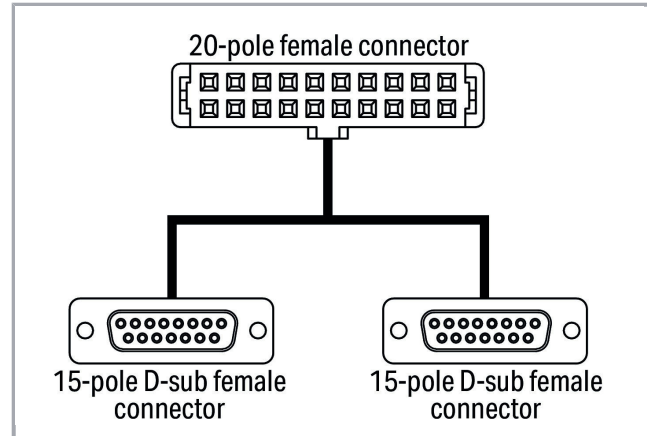


www.wago.com/706-7753/306-200



RoHS Compliant

BOMcheck.net



Item description

Short description:

WAGO's Interface Cables provide fast and easy connection of WAGO I/O Modules equipped with 20-pole pluggable connectors. The following WAGO I/O modules and Interface Adapters are compatible:

750-1500 (16 DO) --> 857-986 (DO)

The cables are available in 1-, 2- and 3-meter lengths; each has one 20-pole or two 15-pole pluggable connectors at both ends.

Suitable for system wiring when paired with WAGO's Interface Adapter (857-986)

Note:

When using more than 10 wires, the maximum current per wire must be reduced to 0.7 A.

Data

Electrical Data

In-/Outputs

2 x 8 digital in- or outputs

Subject to changes. Please also observe the further product documentation!

WAGO Kontakttechnik GmbH & Co. KG
Hansastr. 27
32423 Minden
Phone: +49571 887-0 | Fax: +49571 887-169
Email: info.de@wago.com | Web: www.wago.com

Do you have any questions about our products?
We are always happy to take your call at +49 (571) 887-44222.



Operating voltage	≤ DC 35 V
Max. current per conductor	1 A

Safety and protection:

Protection class	IP20
------------------	------

Connection data

Connection type (1)	System
No. of poles	20
Pluggable connector	Pluggable connector per DIN 41651; female connector
Connection type (2)	System
No. of poles 2	15
Pluggable connector 2	D-sub; female connector
Connection type (3)	System
No. of poles 3	15
Pluggable connector 3	D-sub; female connector
Type of cable	LIYY
Cross section of single conductor	0.14 mm ²
Color coding	per DIN VDE 47100

Geometrical Data

Cable length	2 m
--------------	-----

Material Data

Weight	10 g
--------	------

Environmental Requirements

Surrounding air (operating) temperature	-25 ... 70 °C
---	---------------

Commercial data

Product Group	30 ()
Packaging type	BOX
Country of origin	FR
GTIN	4050821052951
Customs Tariff No.	85444290900

Subject to changes. Please also observe the further product documentation!

WAGO Kontakttechnik GmbH & Co. KG
 Hansastr. 27
 32423 Minden
 Phone: +49571 887-0 | Fax: +49571 887-169
 Email: info.de@wago.com | Web: www.wago.com

Do you have any questions about our products?
 We are always happy to take your call at +49 (571) 887-44222.



Counterpart

Compatible products

transfer module

Item no.: 857-986

Interface adapter; 15-pole; High-side switching input

www.wago.com/857-986

Downloads

Documentation

Additional Information

Disposal; Electrical and electronic equipment, Packaging

V 1.0.0

pdf
265.8 kB

[Download](#)

CAD/CAE-Data

CAE data

WSCAD Universe 706-7753/306-200

[URL](#)

[Download](#)

Installation Notes

Subject to changes. Please also observe the further product documentation!

WAGO Kontakttechnik GmbH & Co. KG

Hansastr. 27

32423 Minden

Phone: +49571 887-0 | Fax: +49571 887-169

Email: info.de@wago.com | Web: www.wago.com

Do you have any questions about our products?

We are always happy to take your call at +49 (571) 887-44222.