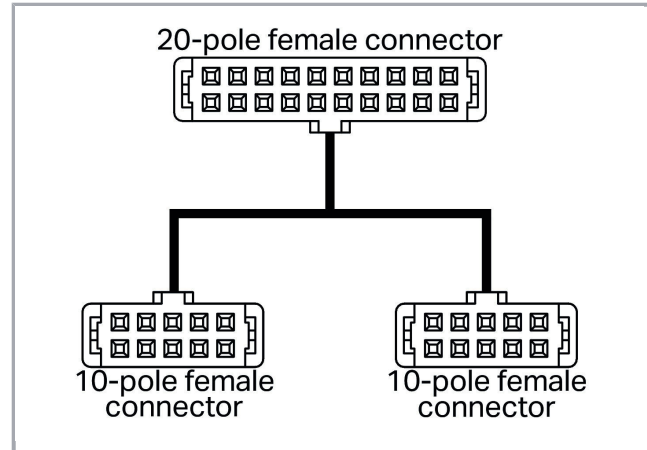
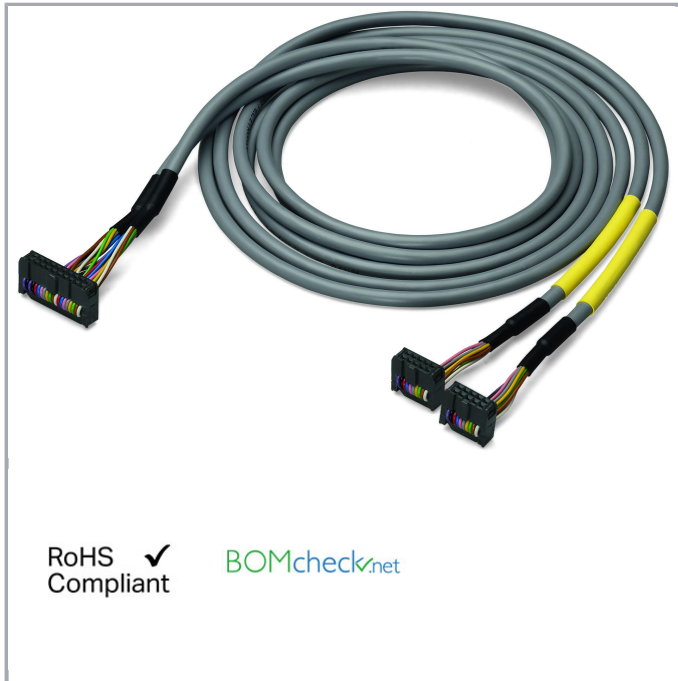


Data sheet | Item number: 706-7753/302-100

System cable; for WAGO-I/O-SYSTEM, 753 Series; 8 digital inputs and 8 digital outputs; Length: 1 m (1 MOhm); Conductor cross-section: 0.14 mm²



www.wago.com/706-7753/302-100



RoHS Compliant [BOMcheck.net](https://www.bomcheck.net)

Item description

Short description:

WAGO's Interface Cables provide fast and easy connection of WAGO I/O modules equipped with 20-pole pluggable connector (750-1400, -1402, -1500, -1501, -1502) to appropriate interface or relay modules featuring a 10-pole pluggable connector. For example, this cable connects 2 relay modules (8-channel) to a WAGO I/O module.

The cables are available in 1- and 2-meter lengths; each has one 20-pole and two 10-pole pluggable connectors at both ends.

Note:

When using more than 10 wires, the maximum current per wire must be reduced to 0.7 A.

Data

Electrical Data

In-/Outputs	8 digital inputs and 8 digital outputs
Operating voltage	≤ DC 35 V

Subject to changes. Please also observe the further product documentation!

WAGO Kontakttechnik GmbH & Co. KG
Hansastr. 27
32423 Minden
Phone: +49571 887-0 | Fax: +49571 887-169
Email: info.de@wago.com | Web: www.wago.com

Do you have any questions about our products?
We are always happy to take your call at +49 (571) 887-44222.



Max. current per conductor	1 A
----------------------------	-----

Safety and protection:

Protection class	IP20
------------------	------

Connection data

Connection type (1)	System
No. of poles	20
Pluggable connector	Pluggable connector per DIN 41651; female connector
Connection type (2)	System
No. of poles 2	10
Pluggable connector 2	Pluggable connector per DIN 41651; female connector
Connection type (3)	System
No. of poles 3	10
Pluggable connector 3	Pluggable connector per DIN 41651; female connector
Type of cable	LiYY
Cross section of single conductor	0.14 mm ²
Color coding	per DIN VDE 47100

Geometrical Data

Cable length	1 m
--------------	-----

Material Data

Weight	95 g
--------	------

Environmental Requirements

Surrounding air (operating) temperature	-25 ... 70 °C
---	---------------

Commercial data

Product Group	30 ()
Packaging type	0
Country of origin	FR
GTIN	4045454949860
Customs Tariff No.	85444290900

Subject to changes. Please also observe the further product documentation!


WAGO Kontakttechnik GmbH & Co. KG
 Hansastr. 27
 32423 Minden
 Phone: +49571 887-0 | Fax: +49571 887-169
 Email: info.de@wago.com | Web: www.wago.com

Do you have any questions about our products?
 We are always happy to take your call at +49 (571) 887-44222.

Counterpart

Compatible products

transfer module

	Item no.: 289-611 Interface module; Pluggable connector per DIN 41651; 10-pole; Triple-deck PCB terminal blocks; in mounting carrier; 2,50 mm ²	www.wago.com/289-611
	Item no.: 704-2003 Interface module for system wiring; Pluggable connector per DIN 41651; Male connector; 10-pole; 8-channel digital input or output; 3-wire connection; in mounting carrier	www.wago.com/704-2003
	Item no.: 704-5003 Interface module for system wiring; Pluggable connector per DIN 41651; Male connector; 10-pole; 8-channel relay output; 1 changeover contact; Triple-deck PCB terminal blocks; in mounting carrier; 2,50 mm ²	www.wago.com/704-5003
	Item no.: 704-5013 Interface module for system wiring; Pluggable connector per DIN 41651; Male connector; 10-pole; 8-channel relay output; 1 changeover contact; Double-deck PCB terminal blocks; with manual operation; in mounting carrier; 2,50 mm ²	www.wago.com/704-5013

Downloads

Documentation

Additional Information

Disposal; Electrical and electronic equipment, Packaging	V 1.0.0	pdf 265.8 kB	Download
--	---------	-----------------	----------

CAD/CAE-Data

CAE data

WSCAD Universe 706-7753/302-100	URL	Download
---------------------------------	-----	----------

Installation Notes

Subject to changes. Please also observe the further product documentation!