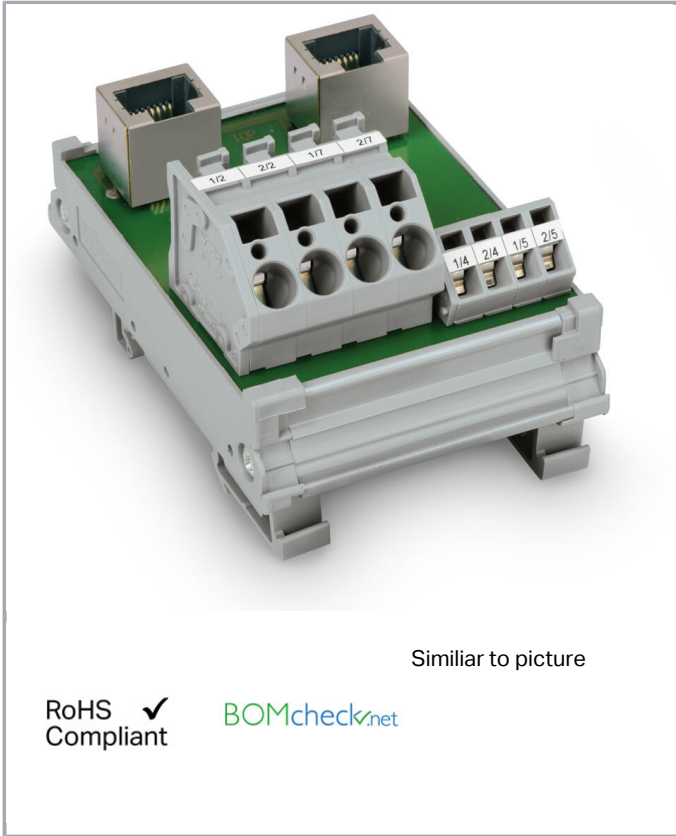


**Data sheet | Item number: 289-966**

Interface module; 2xRJ-45; PCB terminal blocks, double-row; in mounting carrier; with shield connection

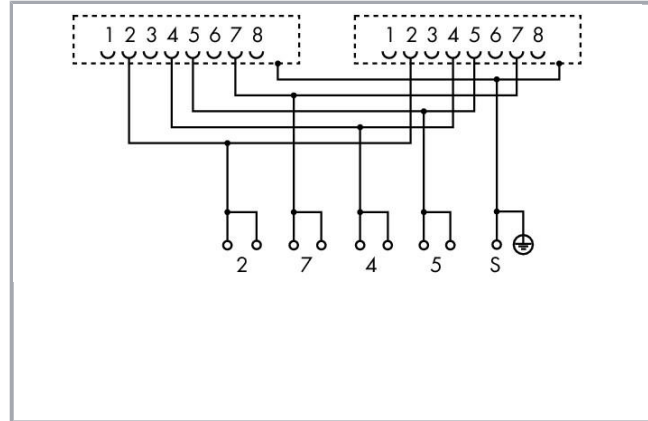
[www.wago.com/289-966](http://www.wago.com/289-966)



Similar to picture

RoHS Compliant

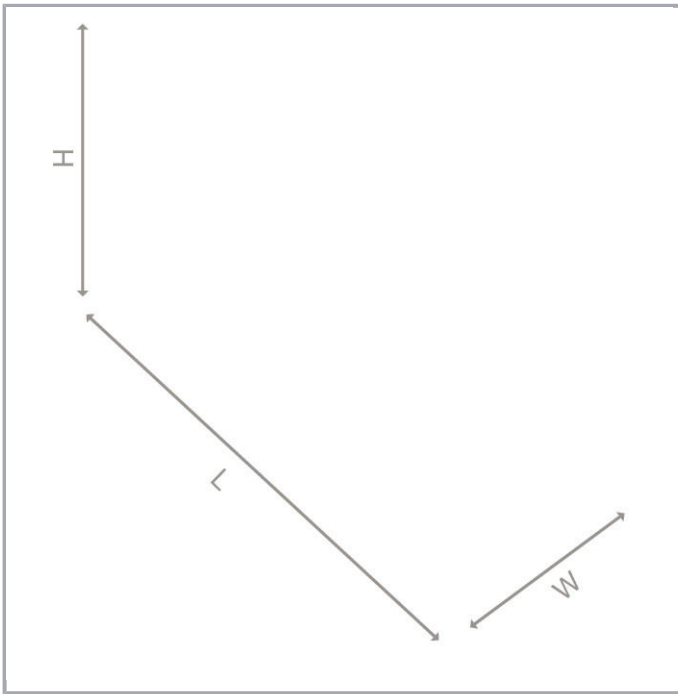
[BOMcheck.net](https://www.bomcheck.net)



Subject to changes. Please also observe the further product documentation!

WAGO Kontakttechnik GmbH & Co. KG  
Hansastr. 27  
32423 Minden  
Phone: +49571 887-0 | Fax: +49571 887-169  
Email: [info.de@wago.com](mailto:info.de@wago.com) | Web: [www.wago.com](http://www.wago.com)

Do you have any questions about our products?  
We are always happy to take your call at +49 (571) 887-44222.



## Item description

### Short description:

Compatible on the field side with the 789-620, 789-621 and 789-622 Current Sensors

Required terminal assignment:

2: + Supply

7: - Supply

4: D+

5: D-

Direct shield connection to the DIN-rail via shield grounding foot

## Data

### Electrical Data

Nominal current	1.5 A
Insulation resistance	$\geq 500 \text{ M}\Omega$
Specialty functions	With shield connection With shield clamping saddle

Subject to changes. Please also observe the further product documentation!

WAGO Kontakttechnik GmbH & Co. KG  
Hansastr. 27  
32423 Minden  
Phone: +49571 887-0 | Fax: +49571 887-169  
Email: [info.de@wago.com](mailto:info.de@wago.com) | Web: [www.wago.com](http://www.wago.com)

Do you have any questions about our products?  
We are always happy to take your call at +49 (571) 887-44222.



## Safety and protection:

Dielectric strength contact-contact (AC, 1 min)	0.5
---	-----

## Connection data

Connection type (1)	System
No. of poles	8
Pluggable connector	2 x RJ-45 (shielded)
Connection type (2)	Clamping units 2, 7
No. of poles 2	8
Design 2	PCB terminal blocks
Connection technology 2	CAGE CLAMP®
WAGO terminal 2	WAGO 236 Series
Solid conductor (2)	0,08 ... 2,5 mm <sup>2</sup> / 28 ... 12 AWG
Fine-stranded conductor (2)	0,08 ... 2,5 mm <sup>2</sup> / 28 ... 12 AWG
Strip length (2)	5 ... 6 mm / 0.2 ... 0.24 inch
Connection type (3)	Clamping units 4, 5
No. of poles 3	4
Design 3	PCB terminal blocks
Connection technology 3	CAGE CLAMP®
WAGO terminal 3	WAGO 745 Series
Solid conductor (3)	0,2 ... 6 mm <sup>2</sup> / 24 ... 10 AWG
Fine-stranded conductor (3)	0,2 ... 6 mm <sup>2</sup> / 24 ... 10 AWG
Strip length (3)	11 ... 12 mm / 0.43 ... 0.47 inch
Note (conductor cross-section)	12 AWG: THHN, THWN
Mating cycles	500
Connecting cable	Shielded RJ-45 cable assembly (recommended: UTP, STP)
WAGO shield (screen) clamping saddle	27 mm wide; cable diameter up to 24 mm

## Geometrical Data

Width	69 mm / 2.717 inch
Height from upper-edge of DIN-35 rail	40 mm / 1.575 inch
Depth	85 mm / 3.346 inch

## Mechanical data

Type of mounting	DIN-35 rail
Housing design	Mounting carrier

Subject to changes. Please also observe the further product documentation!

WAGO Kontakttechnik GmbH & Co. KG  
 Hansastr. 27  
 32423 Minden  
 Phone: +49571 887-0 | Fax: +49571 887-169  
 Email: [info.de@wago.com](mailto:info.de@wago.com) | Web: [www.wago.com](http://www.wago.com)

Do you have any questions about our products?  
 We are always happy to take your call at +49 (571) 887-44222.



## Material Data

Fire load	1.153 MJ
Weight	106.9 g

## Environmental Requirements

Surrounding air (operating) temperature	-20 ... 85 °C
---	---------------

## Commercial data

Product Group	6 (Interface Electronics)
Packaging type	BOX
Country of origin	DE
GTIN	4050821001218
Customs Tariff No.	85369010000

## Counterpart

### Downloads

#### Documentation

##### Instruction Leaflet

pdf  
1.3 MB

[Download](#)

##### Additional Information

Disposal; Electrical and electronic equipment, Packaging V 1.0.0 pdf  
265.8 kB

[Download](#)

## CAD/CAE-Data

### CAE data

WSCAD Universe 289-966 URL [Download](#)

## Installation Notes

Subject to changes. Please also observe the further product documentation!