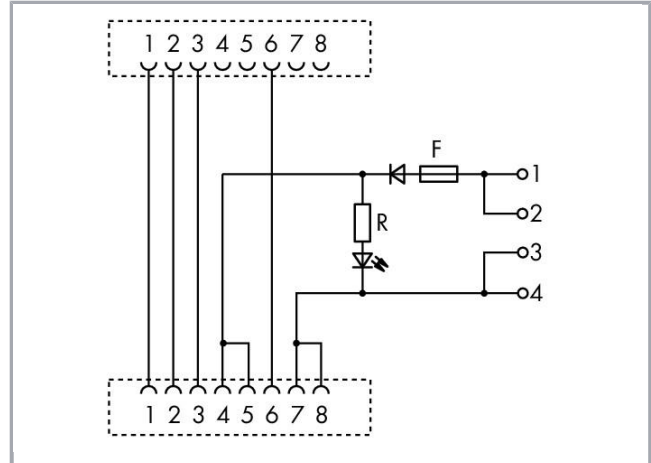
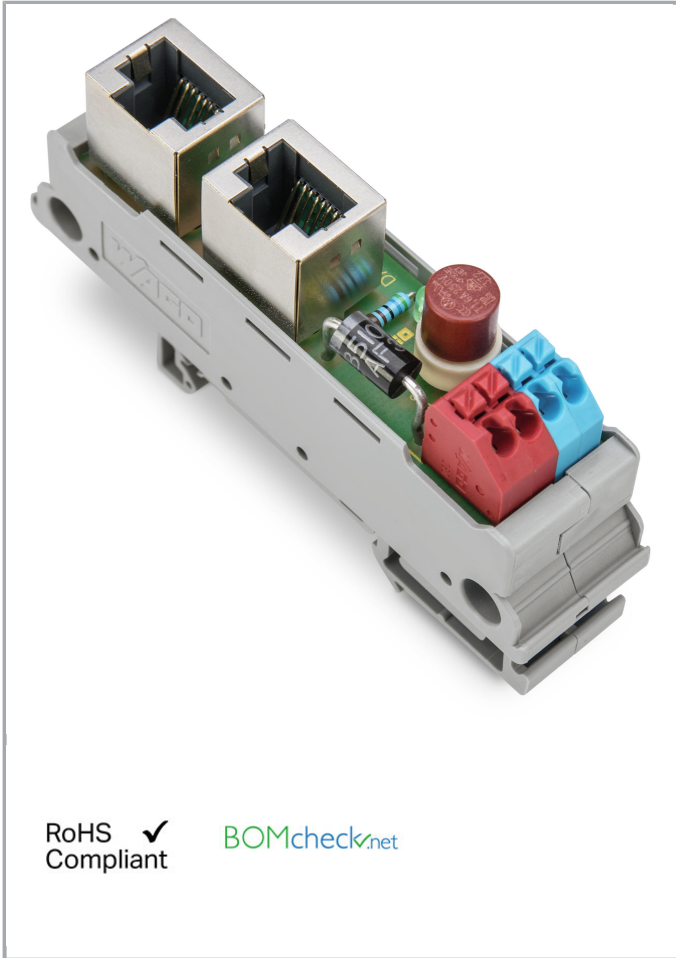


Data sheet | Item number: 289-196

Interface module; RJ-45; with power jumper contacts; PCB terminal blocks;
Cat. 5



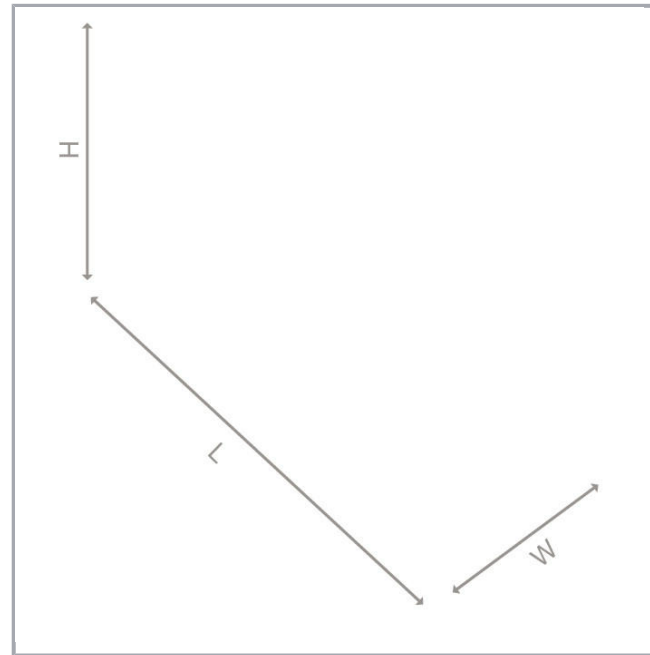
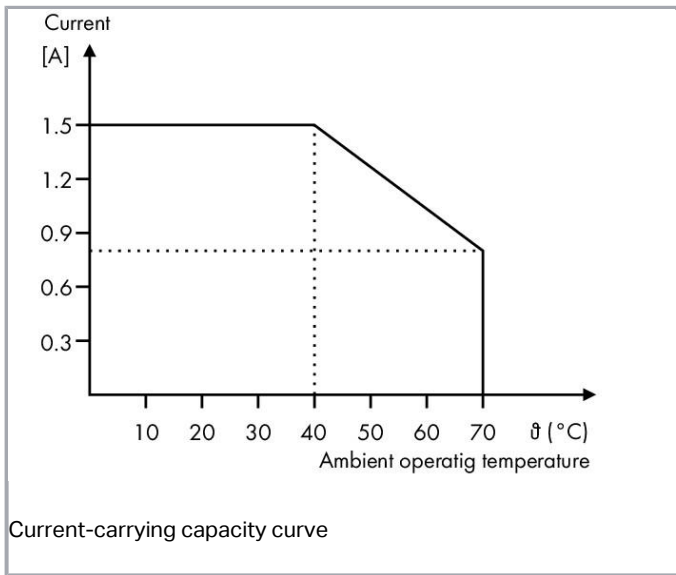
www.wago.com/289-196



Subject to changes. Please also observe the further product documentation!

WAGO Kontakttechnik GmbH & Co. KG
Hansastr. 27
32423 Minden
Phone: +49571 887-0 | Fax: +49571 887-169
Email: info.de@wago.com | Web: www.wago.com

Do you have any questions about our products?
We are always happy to take your call at +49 (571) 887-44222.



Item description

Features:

- Interface module with RJ-45 connector for ETHERNET
- Passive PoE-injector
- For up to 100 Mbit/s, Cat. 5
- Cabinet wiring with preassembled RJ-45-patch cables

Data

Electrical Data

Operating voltage	≤ DC 48 V
Nominal current	1.5 A
Insulation resistance	≥ 500 MΩ
Specialty functions	Passive PoE-injector With LED, fuse

Safety and protection:

Dielectric strength contact-contact (AC, 1 min)	1
---	---

Subject to changes. Please also observe the further product documentation!



Connection data

Connection type (1)	System
No. of poles	8
Pluggable connector	RJ-45 shielded
Connection type (2)	System
No. of poles 2	8
Pluggable connector 2	RJ-45 shielded
Connection type (3)	Supply
No. of poles 3	4
Connection technology 3	Push-in CAGE CLAMP®
WAGO terminal 3	WAGO 250 Series
Solid conductor (3)	0.2 ... 1.5 mm ² / 24 ... 16 AWG
Fine-stranded conductor (3)	0.2 ... 1.5 mm ² / 24 ... 16 AWG
Strip length (3)	8.5 ... 9.5 mm / 0.33 ... 0.37 inch
Mating cycles	500
Max. transmission length	100 m
Connecting cable	min. Cat. 5

Geometrical Data

Width	20.5 mm / 0.807 inch
Height from upper-edge of DIN-35 rail	51 mm / 2.007 inch
Depth	85 mm / 3.346 inch

Mechanical data

Type of mounting	DIN-35 rail
Housing design	Mounting carrier

Material Data

Fire load	0.482 MJ
Weight	32 g

Environmental Requirements

Surrounding air (operating) temperature	0 ... 70 °C
Surrounding air (storage) temperature	-40 ... 85 °C
Relative humidity	≤ 85% (non condensing)

Subject to changes. Please also observe the further product documentation!



Commercial data

Packaging type	BOX
Country of origin	DE
GTIN	4055143572637
Customs Tariff No.	85423990000

Counterpart

Downloads

Documentation

Instruction Leaflet

pdf
1.3 MB

Download

Additional Information

Disposal; Electrical and electronic equipment, Packaging V 1.0.0 pdf
265.8 kB

Download

Installation Notes

Subject to changes. Please also observe the further product documentation!

WAGO Kontakttechnik GmbH & Co. KG
Hansastr. 27
32423 Minden
Phone: +49571 887-0 | Fax: +49571 887-169
Email: info.de@wago.com | Web: www.wago.com

Do you have any questions about our products?
We are always happy to take your call at +49 (571) 887-44222.