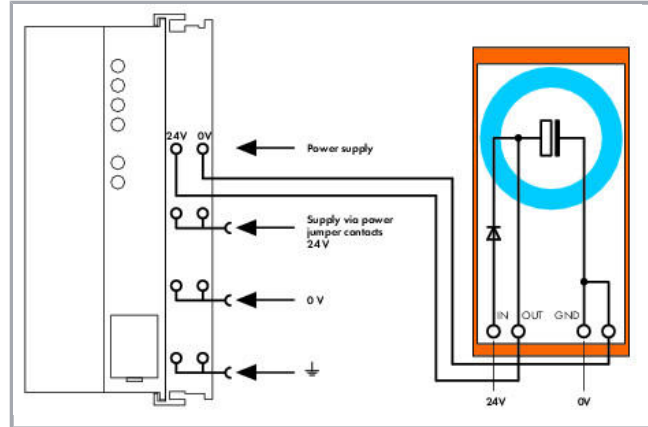


Data sheet | Item number: 288-824

Component module with capacitor; 1 pcs; Capacity: 10 mF; Nominal voltage: 24 VDC; 2,50 mm<sup>2</sup>; gray

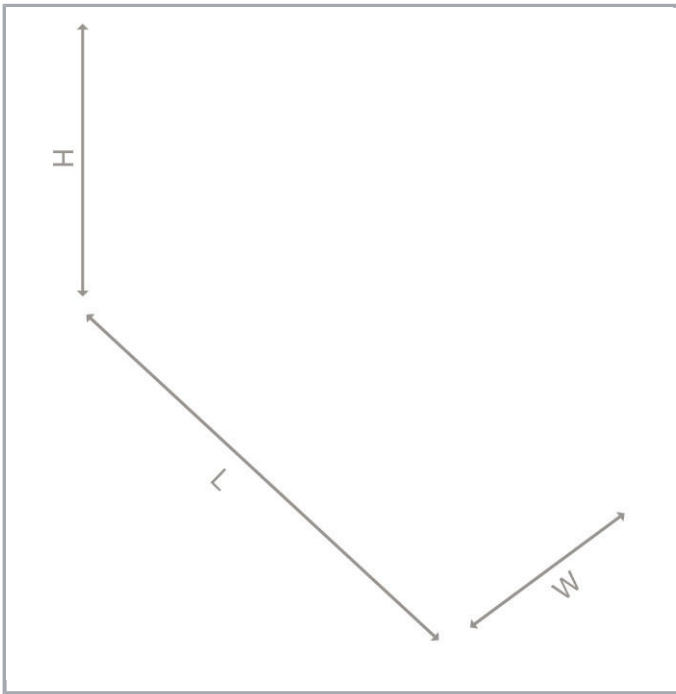
[www.wago.com/288-824](http://www.wago.com/288-824)



Subject to changes. Please also observe the further product documentation!

WAGO Kontakttechnik GmbH & Co. KG  
Hansastr. 27  
32423 Minden  
Phone: +49571 887-0 | Fax: +49571 887-169  
Email: [info.de@wago.com](mailto:info.de@wago.com) | Web: [www.wago.com](http://www.wago.com)

Do you have any questions about our products?  
We are always happy to take your call at +49 (571) 887-44222.



### Item description

This back-up capacitor module smoothes unstable 24 VDC power supplies for electronic modules in case the voltage tolerances mentioned in our data sheets cannot be ensured. Reasons for voltage transients could be:

- Power interruptions (switching transients) on primary side
- Overloads on secondary side
- Switching of inductive or capacitive loads

The back-up capacitor module is connected between the 24 V power supply and the electronic device to be protected.

Notice:

Using insufficiently smoothed and unregulated single-phase power supplies may lead to voltage increases by the back-up capacitor module.

### Data

#### Technical Data

#### Input

|   |             |
|---|-------------|
| Nominal input voltage $U_{i\text{nom}}$ | DC 24 V     |
| Input voltage range                     | 0 ... +25 % |
| Input current $I_i$                     | $\leq 1$ A  |

Subject to changes. Please also observe the further product documentation!



## Energy storage

|                  |          |
|------------------|----------|
| Nominal capacity | 10000 µF |
|------------------|----------|

## Connection data

|                         |  |
|-------------------------|--|
| Connection technology   | CAGE CLAMP®                                  |
| WAGO terminal           | WAGO 236 Series                              |
| Solid conductor         | 0,08 ... 2,5 mm <sup>2</sup> / 28 ... 12 AWG |
| Fine-stranded conductor | 0,08 ... 2,5 mm <sup>2</sup> / 28 ... 12 AWG |
| Strip length            | 5 ... 6 mm / 0.2 ... 0.24 inch               |

## Geometrical Data

|                                       |                    |
|---------------------------------------|--------------------|
| Width                                 | 38 mm / 1.496 inch |
| Height from upper-edge of DIN-35 rail | 81 mm / 3.189 inch |
| Depth                                 | 85 mm / 3.346 inch |

## Mechanical data

|                  |                        |
|------------------|------------------------|
| Type of mounting | DIN-35 rail (EN 60715) |
|------------------|------------------------|

## Material Data

|           |          |
|-----------|----------|
| Color     | gray     |
| Fire load | 0.608 MJ |
| Weight    | 101.6 g  |

## Standards and specifications

|                    |    |
|--------------------|----|
| Conformity marking | CE |
|--------------------|----|

## Commercial data

|                    |                           |
|--------------------|---------------------------|
| Product Group      | 6 (Interface Electronics) |
| Packaging type     | BOX                       |
| Country of origin  | DE                        |
| GTIN               | 4045454649593             |
| Customs Tariff No. | 85322200000               |

## Counterpart

Subject to changes. Please also observe the further product documentation!

WAGO Kontakttechnik GmbH & Co. KG  
 Hansastr. 27  
 32423 Minden  
 Phone: +49571 887-0 | Fax: +49571 887-169  
 Email: [info.de@wago.com](mailto:info.de@wago.com) | Web: [www.wago.com](http://www.wago.com)

Do you have any questions about our products?  
 We are always happy to take your call at +49 (571) 887-44222.



## Downloads

### Documentation

#### Instruction Leaflet

pdf  
1.3 MB

Download

#### Additional Information

Disposal; Electrical and electronic equipment, Packaging

V 1.0.0

pdf  
265.8 kB

Download

## CAD/CAE-Data

### CAD data

2D/3D Models 288-824

URL

Download

### CAE data

EPLAN Data Portal 288-824

URL

Download

WSCAD Universe 288-824

URL

Download

## Installation Notes

Subject to changes. Please also observe the further product documentation!

WAGO Kontakttechnik GmbH & Co. KG  
Hansastr. 27  
32423 Minden  
Phone: +49571 887-0 | Fax: +49571 887-169  
Email: [info.de@wago.com](mailto:info.de@wago.com) | Web: [www.wago.com](http://www.wago.com)

Do you have any questions about our products?  
We are always happy to take your call at +49 (571) 887-44222.