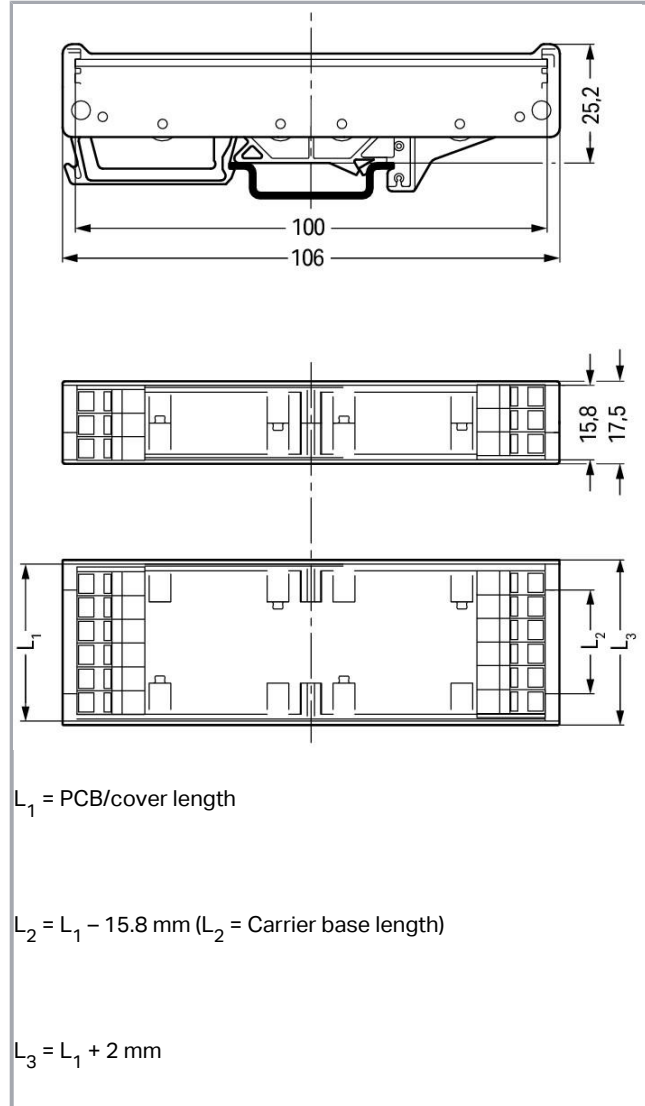
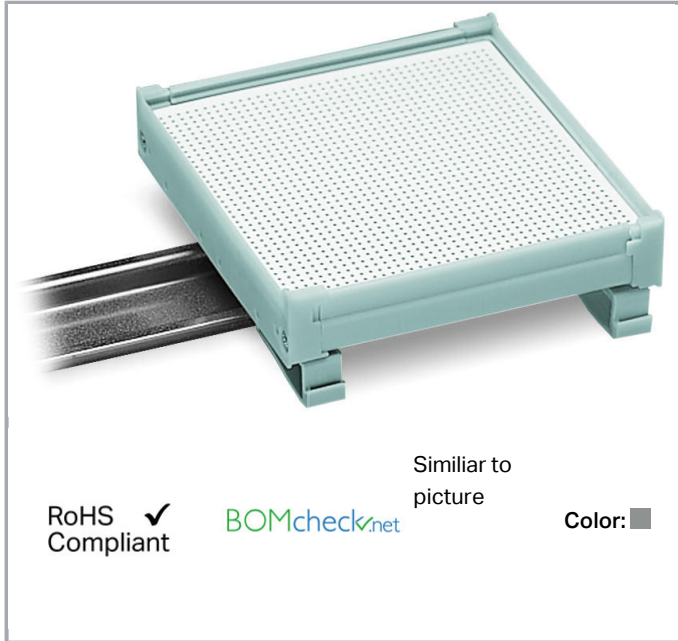


Data sheet | Item number: 288-621

Lateral cover; Size 2; small; 8.75 mm thick; gray

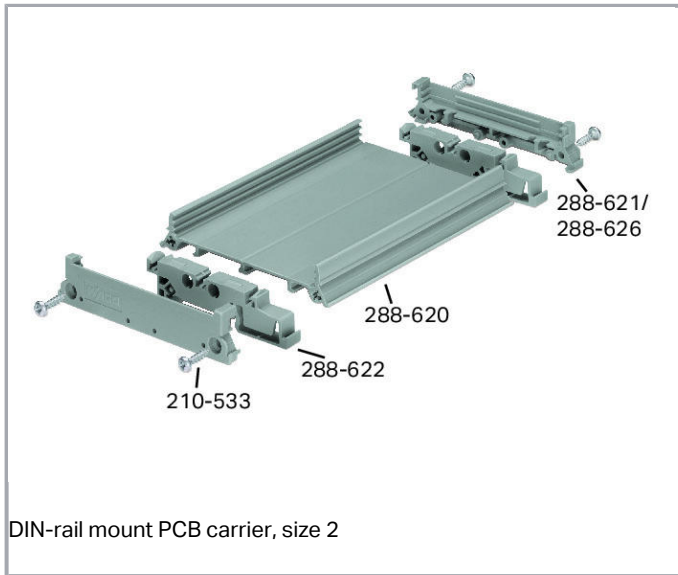
www.wago.com/288-621



Subject to changes. Please also observe the further product documentation!

WAGO Kontakttechnik GmbH & Co. KG
Hansastr. 27
32423 Minden
Phone: +49571 887-0 | Fax: +49571 887-169
Email: info.de@wago.com | Web: www.wago.com

Do you have any questions about our products?
We are always happy to take your call at +49 (571) 887-44222.



Item description

DIN-rail mount PCB carrier, size 2 – lateral cover, size 2; small; 8.75 mm thick

Data

Geometrical Data

Width	8,75 mm / 0.344 inch
Depth	106 mm / 4.173 inch

Mechanical data

Type of mounting	DIN-35 rail
------------------	-------------

Material Data

Color	gray
Fire load	0.159 MJ
Weight	5.2 g

Commercial data

Product Group	6 (Interface Electronics)
Packaging type	BOX
Country of origin	DE
GTIN	4017332639453

Subject to changes. Please also observe the further product documentation!

WAGO Kontakttechnik GmbH & Co. KG
 Hansastr. 27
 32423 Minden
 Phone: +49571 887-0 | Fax: +49571 887-169
 Email: info.de@wago.com | Web: www.wago.com

Do you have any questions about our products?
 We are always happy to take your call at +49 (571) 887-44222.


Customs Tariff No.

39269097900

Counterpart

Compatible products

General accessories

	Item no.: 210-533 Phillips screw 2.9 x 13	www.wago.com/210-533
	Item no.: 288-620 Track section; Size 2; 1 m long; gray	www.wago.com/288-620
	Item no.: 288-620/024-000 Track section; Size 2; gray	www.wago.com/288-620/024-000

Downloads

Documentation

Additional Information

Disposal; Electrical and electronic equipment, Packaging	V 1.0.0	pdf 265.8 kB	Download
--	---------	-----------------	----------

CAD/CAE-Data

CAD data

2D/3D Models 288-621	URL	Download
----------------------	-----	----------

CAE data

WSCAD Universe 288-621	URL	Download
------------------------	-----	----------

Installation Notes

Subject to changes. Please also observe the further product documentation!