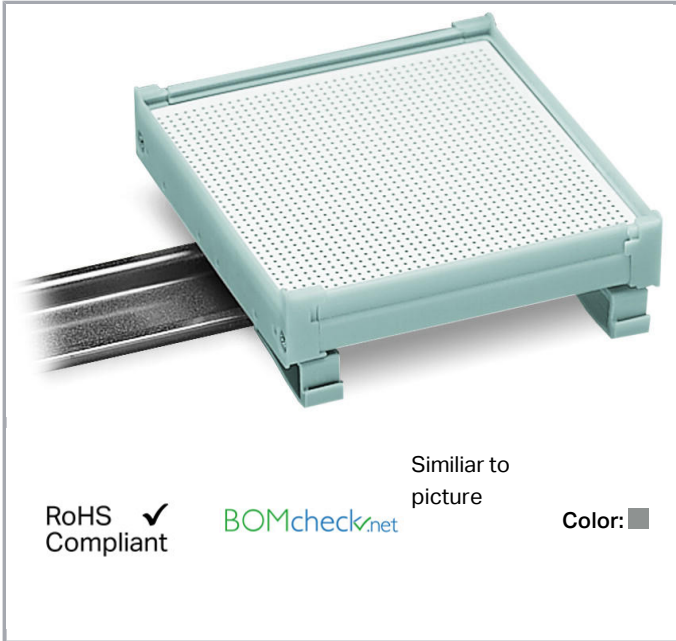


Data sheet | Item number: 288-620/024-000

Track section; Size 2; gray

www.wago.com/288-620/024-000

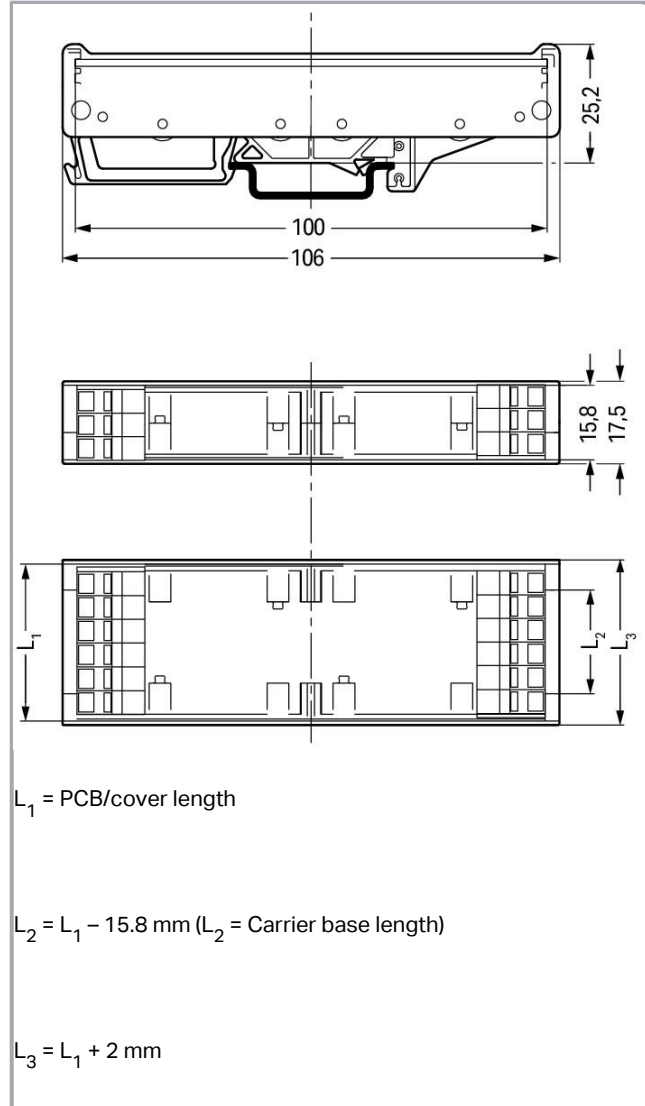


Similar to picture

RoHS
Compliant ✓

BOMcheck.net

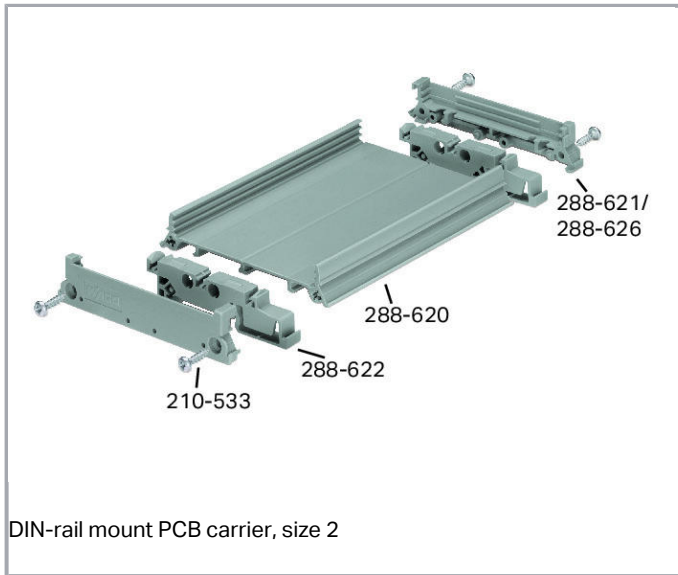
Color: ■



Subject to changes. Please also observe the further product documentation!

WAGO Kontakttechnik GmbH & Co. KG
Hansastr. 27
32423 Minden
Phone: +49571 887-0 | Fax: +49571 887-169
Email: info.de@wago.com | Web: www.wago.com

Do you have any questions about our products?
We are always happy to take your call at +49 (571) 887-44222.



Item description

DIN-rail mount PCB carrier, size 2 – carrier base, size 2; 24 mm long

Data

Geometrical Data

Width	24 mm / 0.945 inch
Depth	100 mm / 3.937 inch

Mechanical data

Type of mounting	DIN-35 rail
------------------	-------------

Material Data

Color	gray
Fire load	0.204 MJ
Weight	6.8 g

Commercial data

Product Group	6 (Interface Electronics)
Packaging type	BOX
Country of origin	DE
GTIN	4045454363161

Subject to changes. Please also observe the further product documentation!

WAGO Kontakttechnik GmbH & Co. KG
 Hansastr. 27
 32423 Minden
 Phone: +49571 887-0 | Fax: +49571 887-169
 Email: info.de@wago.com | Web: www.wago.com

Do you have any questions about our products?
 We are always happy to take your call at +49 (571) 887-44222.


Customs Tariff No.

85472000900

Counterpart

Compatible products

General accessories

	Item no.: 210-533 Phillips screw 2.9 x 13	www.wago.com/210-533
	Item no.: 288-621 Lateral cover; Size 2; small; 8.75 mm thick; gray	www.wago.com/288-621
	Item no.: 288-622 Fixing foot for DIN 35 rail; gray	www.wago.com/288-622
	Item no.: 288-626 Lateral cover; Size 2; large; 8.75 mm thick; gray	www.wago.com/288-626
	Item no.: 288-627 Cover; Size 2; 1 m long; transparent	www.wago.com/288-627

Marking accessories

	Item no.: 709-177 Marking strips; on reel; 7.5 mm wide; not stretchable; plain; snap-on type; translucent	www.wago.com/709-177
	Item no.: 709-178 Marking strips; on reel; 7.5 mm wide; not stretchable; plain; snap-on type; white	www.wago.com/709-178
	Item no.: 709-196 Marking strips; for laser printer; translucent	www.wago.com/709-196

Downloads

Documentation

Additional Information

Disposal; Electrical and electronic equipment, Packaging

V 1.0.0

pdf
265.8 kB

Download

Installation Notes

Subject to changes. Please also observe the further product documentation!

WAGO Kontakttechnik GmbH & Co. KG
Hansastr. 27
32423 Minden
Phone: +49571 887-0 | Fax: +49571 887-169
Email: info.de@wago.com | Web: www.wago.com

Do you have any questions about our products?
We are always happy to take your call at +49 (571) 887-44222.