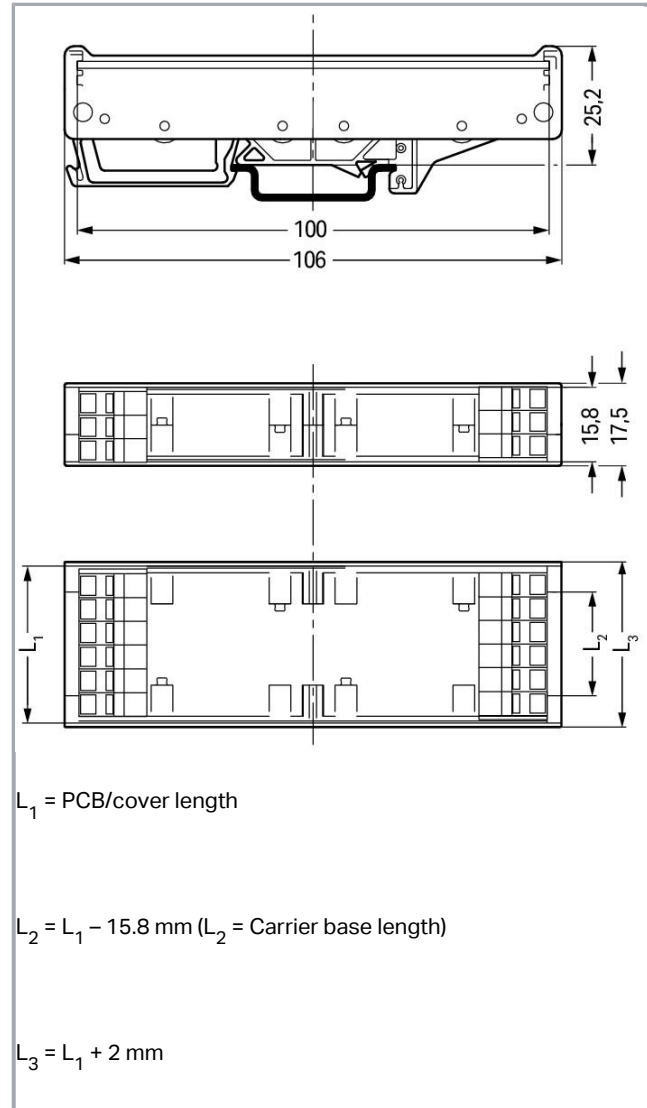
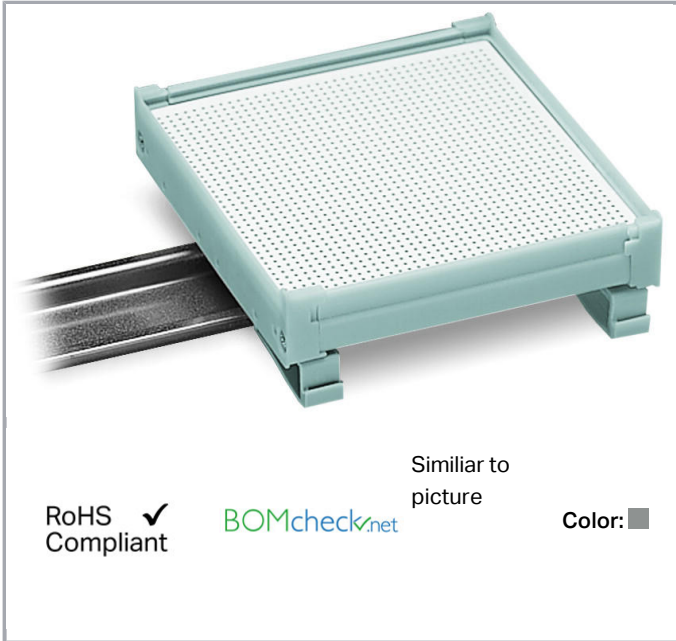


Data sheet | Item number: 288-620

Track section; Size 2; 1 m long; gray

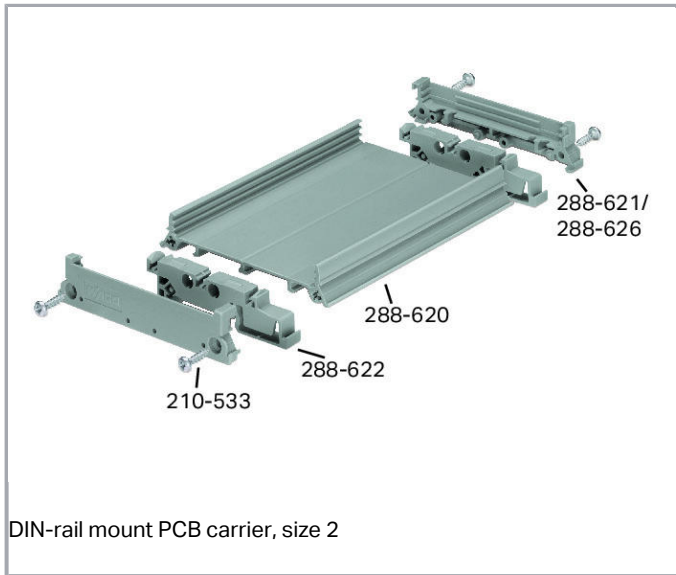
www.wago.com/288-620



Subject to changes. Please also observe the further product documentation!

WAGO Kontakttechnik GmbH & Co. KG
Hansastr. 27
32423 Minden
Phone: +49571 887-0 | Fax: +49571 887-169
Email: info.de@wago.com | Web: www.wago.com

Do you have any questions about our products?
We are always happy to take your call at +49 (571) 887-44222.



Item description

DIN-rail mount PCB carrier, size 2 – carrier base, size 2; 1 m long

Note:

Length calculation for a complete mounting carrier:

PCB length: L1

Base length: L2 = L1 – 15.8 mm

Mounting carrier length: L3 = L1 + 2 mm

Cover length: L4 = L1

Lateral cover, size 2, 8.75 mm thick

Free space between base and PCB (when using upper PCB groove): 5 mm

PCB tolerances: thickness 1.5 mm ± 0.2 mm, length/width ± 0.2 mm; -0.1/+0.3 for milling contours

Data

Geometrical Data

Width	1000 mm / 39.37 inch
Depth	100 mm / 3.937 inch

Subject to changes. Please also observe the further product documentation!

WAGO Kontakttechnik GmbH & Co. KG
Hansastr. 27
32423 Minden
Phone: +49571 887-0 | Fax: +49571 887-169
Email: info.de@wago.com | Web: www.wago.com

Do you have any questions about our products?
We are always happy to take your call at +49 (571) 887-44222.

Mechanical data

Type of mounting	DIN-35 rail
------------------	-------------

Material Data

Color	gray
Weight	1.1 g

Commercial data

Product Group	6 (Interface Electronics)
Packaging type	BOX
Country of origin	DE
GTIN	4017332639477
Customs Tariff No.	39169010900


Counterpart

Compatible products

Marking accessories

Item no.: 709-177 Marking strips; on reel; 7.5 mm wide; not stretchable; plain; snap-on type; translucent	www.wago.com/709-177
Item no.: 709-178 Marking strips; on reel; 7.5 mm wide; not stretchable; plain; snap-on type; white	www.wago.com/709-178
Item no.: 709-196 Marking strips; for laser printer; translucent	www.wago.com/709-196

General accessories

Item no.: 210-533 Phillips screw 2.9 x 13	www.wago.com/210-533
Item no.: 288-621 Lateral cover; Size 2; small; 8.75 mm thick; gray	www.wago.com/288-621
Item no.: 288-622 Fixing foot for DIN 35 rail; gray	www.wago.com/288-622
 Item no.: 288-626 Lateral cover; Size 2; large; 8.75 mm thick; gray	www.wago.com/288-626

Subject to changes. Please also observe the further product documentation!



Item no.: 288-627

Cover; Size 2; 1 m long; transparent

Downloads

Documentation

Additional Information

Disposal; Electrical and electronic equipment, Packaging	V 1.0.0	pdf 265.8 kB	Download
--	---------	-----------------	----------

CAD/CAE-Data

CAD data

2D/3D Models 288-620	URL	Download
----------------------	-----	----------

CAE data

WSCAD Universe 288-620	URL	Download
------------------------	-----	----------

Installation Notes

Subject to changes. Please also observe the further product documentation!