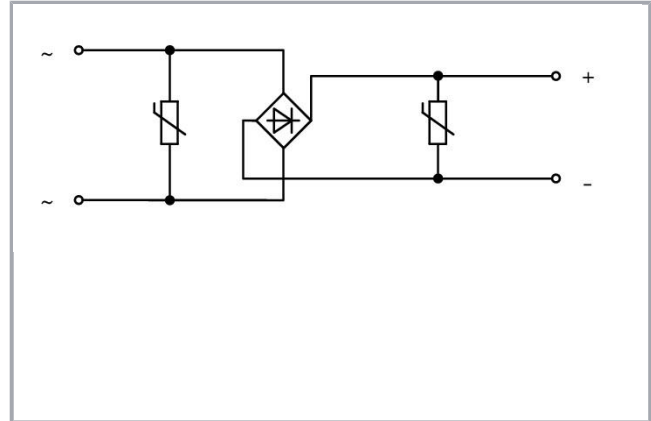
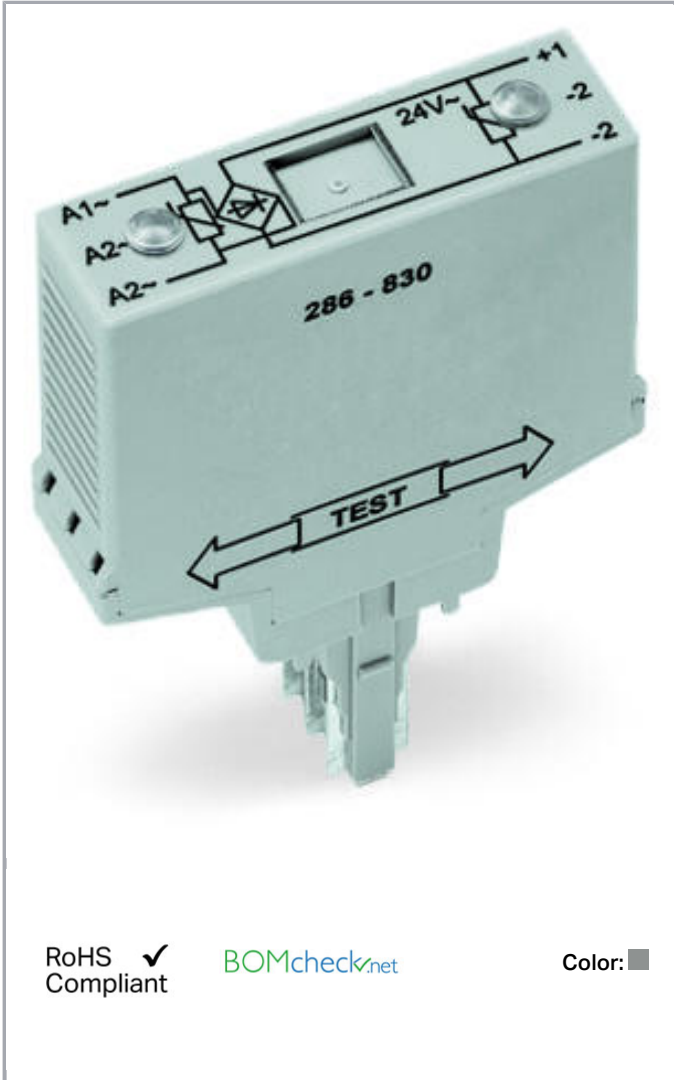


Data sheet | Item number: 286-840

Bridge rectifier module; Input voltage: 250 VAC; with varistor protective circuit; gray



www.wago.com/286-840



RoHS Compliant

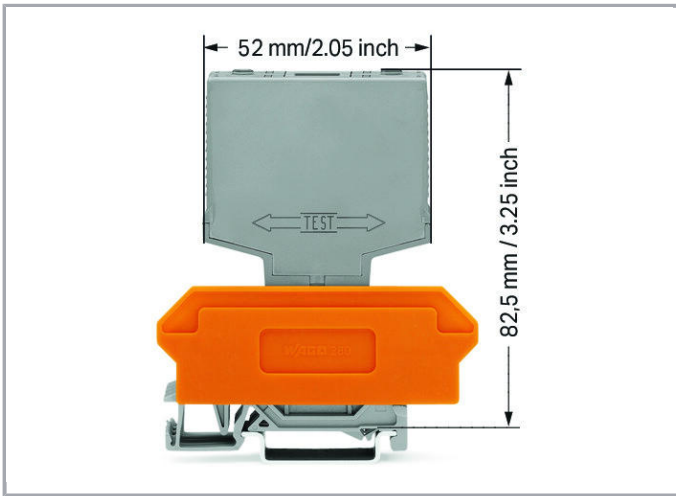
[BOMcheck.net](https://www.bomcheck.net)

Color: ■

Subject to changes. Please also observe the further product documentation!

WAGO Kontakttechnik GmbH & Co. KG
Hansastr. 27
32423 Minden
Phone: +49571 887-0 | Fax: +49571 887-169
Email: info.de@wago.com | Web: www.wago.com

Do you have any questions about our products?
We are always happy to take your call at +49 (571) 887-44222.



Data

Electrical data

Nominal operating voltage	AC 230 V
Operating voltage	≤ AC 250 V
Nominal current	1 A
Switch-on capacity	< 500 μF

Geometrical Data

Width	15 mm / 0.591 inch
Height from upper-edge of DIN-35 rail	82.5 mm / 3.25 inch
Depth	52 mm / 2.047 inch

Mechanical data

Type of mounting	Pluggable module for carrier terminal blocks
Housing design	Pluggable module for terminal blocks

Material Data

Color	gray
Fire load	0.323 MJ
Weight	22 g

Environmental Requirements

Surrounding air (operating) temperature	-25 ... 40 °C
---	---------------

Subject to changes. Please also observe the further product documentation!



Commercial data

Product Group	6 (Interface Electronics)
Packaging type	BOX
Country of origin	DE
GTIN	4045454739676
Customs Tariff No.	85363010900

Counterpart

Compatible products

General accessories

Item no.: 280-609Terminal block for pluggable modules; 6-pole; with 4-conductor terminal blocks; with orange separator; www.wago.com/280-609 for DIN-rail 35 x 15 and 35 x 7.5; 2.5 mm²; CAGE CLAMP®; 2,50 mm²; gray**Item no.: 280-619**Terminal block for pluggable modules; 6-pole; with 2-conductor terminal blocks; with orange separator; www.wago.com/280-619 for DIN-rail 35 x 15 and 35 x 7.5; 2.5 mm²; CAGE CLAMP®; 2,50 mm²; gray**Item no.: 280-763**Terminal block for pluggable modules; 6-pole; with 4-conductor terminal blocks; with marker carrier; www.wago.com/280-763 with orange separator; for DIN-rail 35 x 15 and 35 x 7.5; 2.5 mm²; CAGE CLAMP®; 2,50 mm²; gray

Marking accessories

Item no.: 209-701

WSB marking card; as card; not stretchable; plain; snap-on type; white

www.wago.com/209-701**Item no.: 209-701/000-002**

WSB marking card; as card; not stretchable; plain; snap-on type; yellow

www.wago.com/209-701/000-002**Item no.: 209-701/000-005**

WSB marking card; as card; not stretchable; plain; snap-on type; red

www.wago.com/209-701/000-005**Item no.: 209-701/000-006**

WSB marking card; as card; not stretchable; plain; snap-on type; blue

www.wago.com/209-701/000-006**Item no.: 209-701/000-007**

WSB marking card; as card; not stretchable; plain; snap-on type; gray

www.wago.com/209-701/000-007**Item no.: 209-701/000-012**

WSB marking card; as card; not stretchable; plain; snap-on type; orange

www.wago.com/209-701/000-012

Subject to changes. Please also observe the further product documentation!

WAGO Kontakttechnik GmbH & Co. KG

Hansastr. 27

32423 Minden

Phone: +49571 887-0 | Fax: +49571 887-169

Email: info.de@wago.com | Web: www.wago.com

Do you have any questions about our products?

We are always happy to take your call at +49 (571) 887-44222.



Item no.: 209-701/000-017

WSB marking card; as card; not stretchable; plain; snap-on type; light green

www.wago.com/209-701/000-017



Item no.: 209-701/000-023

WSB marking card; as card; not stretchable; plain; snap-on type; green

www.wago.com/209-701/000-023



Item no.: 209-701/000-024

WSB marking card; as card; not stretchable; plain; snap-on type; violet

www.wago.com/209-701/000-024

Downloads

Documentation

Instruction Leaflet

pdf
1.3 MB
Download

Additional Information

Disposal; Electrical and electronic equipment, Packaging

V 1.0.0

pdf
265.8 kB
Download

CAD/CAE-Data

CAE data

WSCAD Universe 286-840

URL
Download

Installation Notes

Subject to changes. Please also observe the further product documentation!