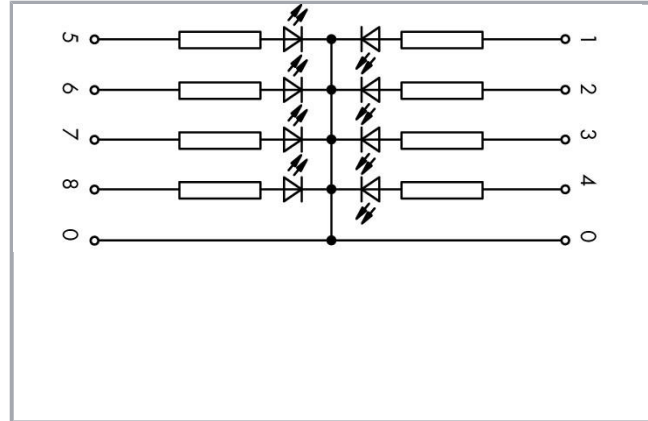


Data sheet | Item number: 286-822

Component module with LED; Red LED; with common cathode

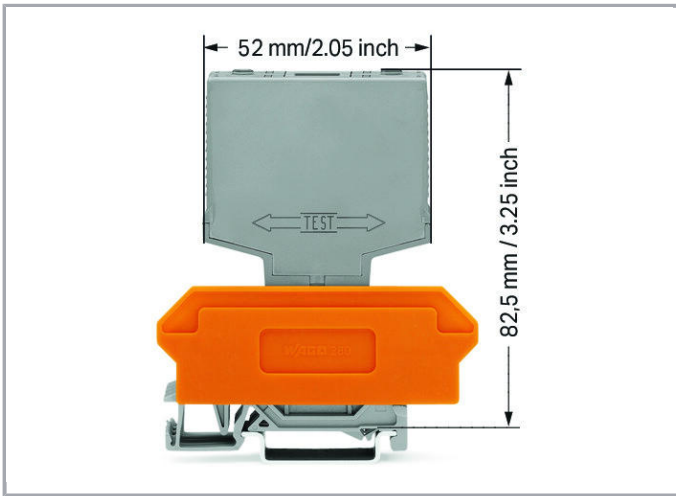
www.wago.com/286-822



Subject to changes. Please also observe the further product documentation!

WAGO Kontakttechnik GmbH & Co. KG
Hansastr. 27
32423 Minden
Phone: +49571 887-0 | Fax: +49571 887-169
Email: info.de@wago.com | Web: www.wago.com

Do you have any questions about our products?
We are always happy to take your call at +49 (571) 887-44222.



Data

Electrical data

Nominal operating voltage	DC 24 V
Operating voltage	DC 20 ... 26 V
Current consumption at supply voltage	≤ 5.1 mA (per LED)

Geometrical Data

Width	25 mm / 0.984 inch
Height from upper-edge of DIN-35 rail	82.5 mm / 3.25 inch
Depth	52 mm / 2.047 inch

Mechanical data

Type of mounting	Pluggable module for carrier terminal blocks
Housing design	Pluggable module for terminal blocks

Material Data

Color	light gray
Weight	28.7 g

Environmental Requirements

Surrounding air (operating) temperature	-25 ... 40 °C
---	---------------

Subject to changes. Please also observe the further product documentation!



Commercial data

Product Group	6 (Interface Electronics)
Packaging type	BOX
Country of origin	DE
GTIN	4045454397494
Customs Tariff No.	85369010000

Counterpart

Compatible products

Marking accessories

Item no.: 209-701 WSB marking card; as card; not stretchable; plain; snap-on type; white	www.wago.com/209-701
Item no.: 209-701/000-002 WSB marking card; as card; not stretchable; plain; snap-on type; yellow	www.wago.com/209-701/000-002
Item no.: 209-701/000-005 WSB marking card; as card; not stretchable; plain; snap-on type; red	www.wago.com/209-701/000-005
Item no.: 209-701/000-006 WSB marking card; as card; not stretchable; plain; snap-on type; blue	www.wago.com/209-701/000-006
Item no.: 209-701/000-007 WSB marking card; as card; not stretchable; plain; snap-on type; gray	www.wago.com/209-701/000-007
Item no.: 209-701/000-012 WSB marking card; as card; not stretchable; plain; snap-on type; orange	www.wago.com/209-701/000-012
 Item no.: 209-701/000-017 WSB marking card; as card; not stretchable; plain; snap-on type; light green	www.wago.com/209-701/000-017
 Item no.: 209-701/000-023 WSB marking card; as card; not stretchable; plain; snap-on type; green	www.wago.com/209-701/000-023

Subject to changes. Please also observe the further product documentation!



Item no.: 209-701/000-024

WSB marking card; as card; not stretchable; plain; snap-on type; violet

www.wago.com/209-701/000-024

General accessories



Item no.: 280-629

Terminal block for pluggable modules; 10-pole; with 4-conductor terminal blocks; with orange separator; for DIN-rail 35 x 15 and 35 x 7.5; 2.5 mm²; CAGE CLAMP®; 2,50 mm²; gray

www.wago.com/280-629



Item no.: 280-639

Terminal block for pluggable modules; 10-pole; with 2-conductor terminal blocks; with orange separator; for DIN-rail 35 x 15 and 35 x 7.5; 2.5 mm²; CAGE CLAMP®; 2,50 mm²; gray

www.wago.com/280-639



Item no.: 280-765

Terminal block for pluggable modules; 10-pole; with 4-conductor terminal blocks; with marker carrier; with orange separator; for DIN-rail 35 x 15 and 35 x 7.5; 2.5 mm²; CAGE CLAMP®; 2,50 mm²; gray

www.wago.com/280-765

Downloads

Documentation

Instruction Leaflet

pdf
1.3 MB
Download

Additional Information

Disposal; Electrical and electronic equipment, Packaging

V 1.0.0

pdf
265.8 kB
Download

CAD/CAE-Data

CAD data

2D/3D Models 286-822

URL
Download

CAE data

WSCAD Universe 286-822

URL
Download

Installation Notes

Subject to changes. Please also observe the further product documentation!

WAGO Kontakttechnik GmbH & Co. KG
Hansastr. 27
32423 Minden
Phone: +49571 887-0 | Fax: +49571 887-169
Email: info.de@wago.com | Web: www.wago.com

Do you have any questions about our products?
We are always happy to take your call at +49 (571) 887-44222.