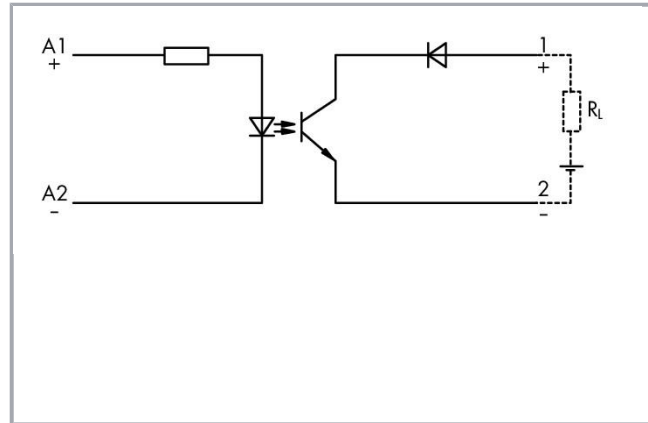
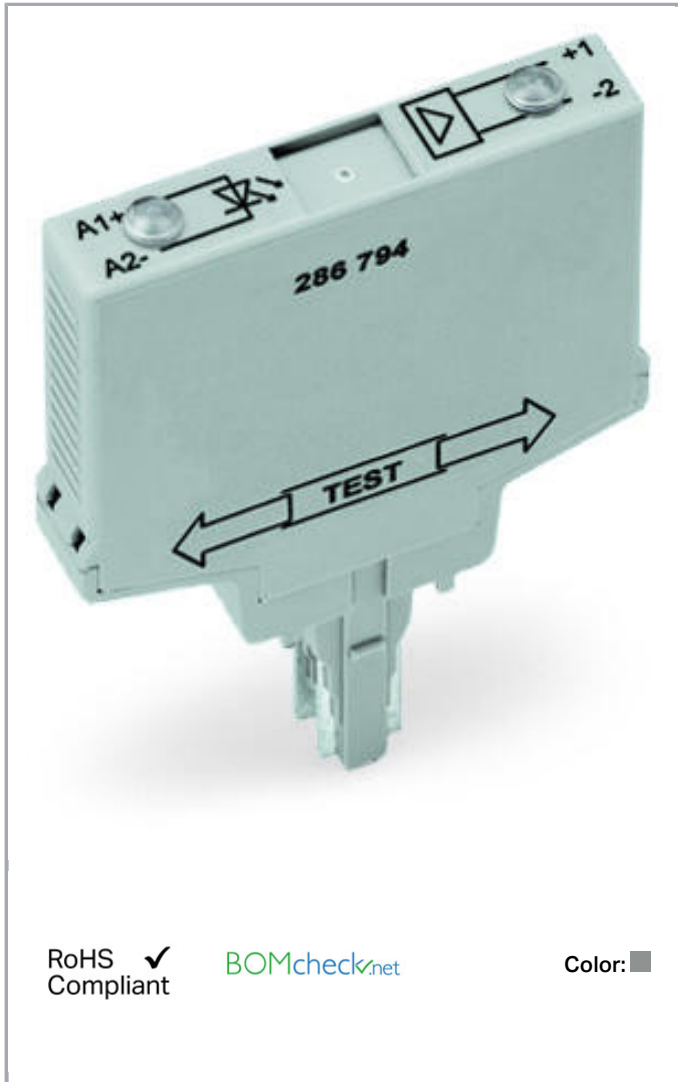


Data sheet | Item number: 286-794

Optocoupler module; Nominal input voltage: 24 VDC; Output voltage range: 20 ... 60 VDC; Limiting continuous current: 0.1 A; 2-wire connection; Red status indicator; Module width: 10 mm; gray

[www.wago.com/286-794](http://www.wago.com/286-794)



RoHS  Compliant

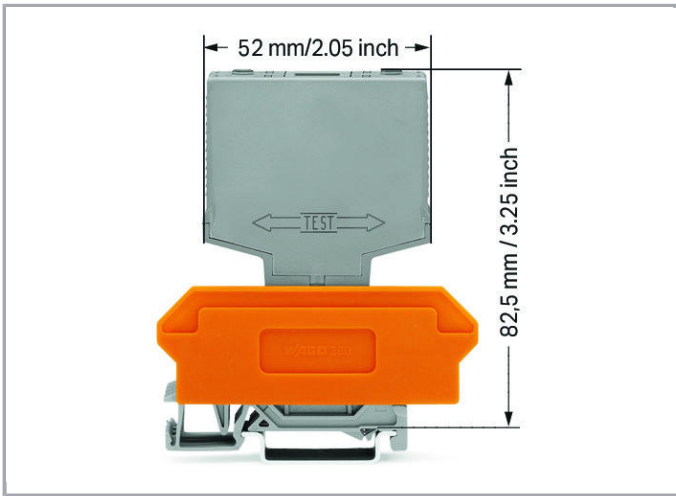
BOMcheck.net

Color: ■

Subject to changes. Please also observe the further product documentation!

WAGO Kontakttechnik GmbH & Co. KG  
Hansastr. 27  
32423 Minden  
Phone: +49571 887-0 | Fax: +49571 887-169  
Email: [info.de@wago.com](mailto:info.de@wago.com) | Web: [www.wago.com](http://www.wago.com)

Do you have any questions about our products?  
We are always happy to take your call at +49 (571) 887-44222.



## Data

### Technical Data

#### Control circuit

Nominal input voltage $U_N$	DC 24 V
Input voltage range (high level)	DC 18 ... 30 V
Nominal input current at $U_N$	4 mA

#### Load circuit:

Circuit type	2-conductor termination
Limiting continuous current	0.1 A
Output voltage range	DC 20 ... 60 V
Max. voltage drop at output	$\leq$ DC 2 V
Leakage current at nominal voltage	$\leq$ 2 $\mu$ A
Turn-on time	$\leq$ 80 $\mu$ s
Drop-out time	$\leq$ 100 $\mu$ s
Switching frequency	$\leq$ 1.5 kHz

#### Safety and protection:

Pollution degree	2
Dielectric strength, control/load circuit (AC, 1 min)	2.5 kVrms
Protection class	IP20

Subject to changes. Please also observe the further product documentation!



## Geometrical Data

Width	10 mm / 0.394 inch
Height from upper-edge of DIN-35 rail	82.5 mm / 3.25 inch
Depth	52 mm / 2.047 inch

## Mechanical data

Type of mounting	Pluggable module for carrier terminal blocks
------------------	--

## Material Data

Color	gray
Weight	16.3 g

## Environmental Requirements

Surrounding air (operating) temperature at $U_N$	-25 ... 60 °C
Surrounding air (storage) temperature	-25 ... 40 °C
Processing temperature	-25 ... +50 °C

## Standards and specifications

Standards/specifications	EN 60664-1
--------------------------	------------

## Commercial data

Product Group	6 (Interface Electronics)
Packaging type	BOX
Country of origin	DE
GTIN	4045454586218
Customs Tariff No.	85365005000

## Counterpart

## Compatible products

### General accessories

Item no.: 280-608

Subject to changes. Please also observe the further product documentation!

WAGO Kontakttechnik GmbH & Co. KG  
 Hansastr. 27  
 32423 Minden  
 Phone: +49571 887-0 | Fax: +49571 887-169  
 Email: [info.de@wago.com](mailto:info.de@wago.com) | Web: [www.wago.com](http://www.wago.com)

Do you have any questions about our products?  
 We are always happy to take your call at +49 (571) 887-44222.

Terminal block for pluggable modules; 4-pole; with 4-conductor terminal blocks; with orange separator; [www.wago.com/280-608](http://www.wago.com/280-608) for DIN-rail 35 x 15 and 35 x 7.5; 2.5 mm<sup>2</sup>; CAGE CLAMP®; 2,50 mm<sup>2</sup>; gray

**Item no.: 280-618**

Terminal block for pluggable modules; 4-pole; with 2-conductor terminal blocks; with orange separator; [www.wago.com/280-618](http://www.wago.com/280-618) for DIN-rail 35 x 15 and 35 x 7.5; 2.5 mm<sup>2</sup>; CAGE CLAMP®; 2,50 mm<sup>2</sup>; gray

**Item no.: 280-762**

Terminal block for pluggable modules; 4-pole; with 4-conductor terminal blocks; with marker carrier; [www.wago.com/280-762](http://www.wago.com/280-762) with orange separator; for DIN-rail 35 x 15 and 35 x 7.5; 2.5 mm<sup>2</sup>; CAGE CLAMP®; 2,50 mm<sup>2</sup>; gray

**Marking accessories**



**Item no.: 209-701**

WSB marking card; as card; not stretchable; plain; snap-on type; white

[www.wago.com/209-701](http://www.wago.com/209-701)



**Item no.: 209-701/000-002**

WSB marking card; as card; not stretchable; plain; snap-on type; yellow

[www.wago.com/209-701/000-002](http://www.wago.com/209-701/000-002)

**Item no.: 209-701/000-005**

WSB marking card; as card; not stretchable; plain; snap-on type; red

[www.wago.com/209-701/000-005](http://www.wago.com/209-701/000-005)

**Item no.: 209-701/000-006**

WSB marking card; as card; not stretchable; plain; snap-on type; blue

[www.wago.com/209-701/000-006](http://www.wago.com/209-701/000-006)



**Item no.: 209-701/000-007**

WSB marking card; as card; not stretchable; plain; snap-on type; gray

[www.wago.com/209-701/000-007](http://www.wago.com/209-701/000-007)



**Item no.: 209-701/000-012**

WSB marking card; as card; not stretchable; plain; snap-on type; orange

[www.wago.com/209-701/000-012](http://www.wago.com/209-701/000-012)



**Item no.: 209-701/000-017**

WSB marking card; as card; not stretchable; plain; snap-on type; light green

[www.wago.com/209-701/000-017](http://www.wago.com/209-701/000-017)



**Item no.: 209-701/000-023**

WSB marking card; as card; not stretchable; plain; snap-on type; green

[www.wago.com/209-701/000-023](http://www.wago.com/209-701/000-023)



**Item no.: 209-701/000-024**

WSB marking card; as card; not stretchable; plain; snap-on type; violet

[www.wago.com/209-701/000-024](http://www.wago.com/209-701/000-024)

**Downloads**

**Documentation**

**Instruction Leaflet**

pdf

Download

Subject to changes. Please also observe the further product documentation!

WAGO Kontakttechnik GmbH & Co. KG

Hansastr. 27

32423 Minden

Phone: +49571 887-0 | Fax: +49571 887-169

Email: [info.de@wago.com](mailto:info.de@wago.com) | Web: [www.wago.com](http://www.wago.com)

Do you have any questions about our products?

We are always happy to take your call at +49 (571) 887-44222.

### Additional Information

Disposal; Electrical and electronic equipment, Packaging

V 1.0.0

pdf  
265.8 kB

[Download](#)

### CAD/CAE-Data

#### CAD data

2D/3D Models 286-794

[URL](#)

[Download](#)

#### CAE data

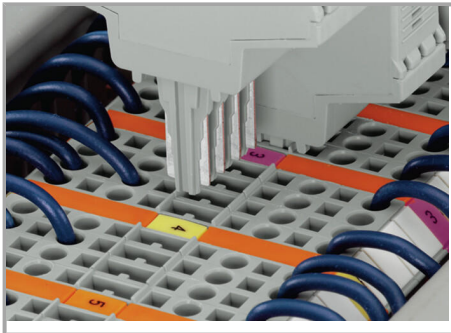
WSCAD Universe 286-794

[URL](#)

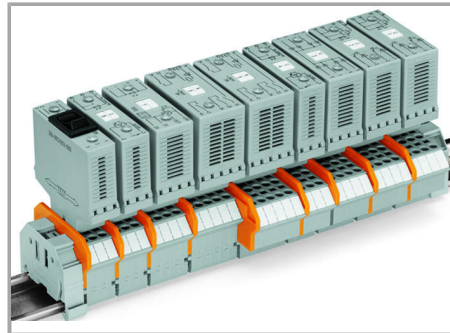
[Download](#)

### Installation Notes

#### Assembly



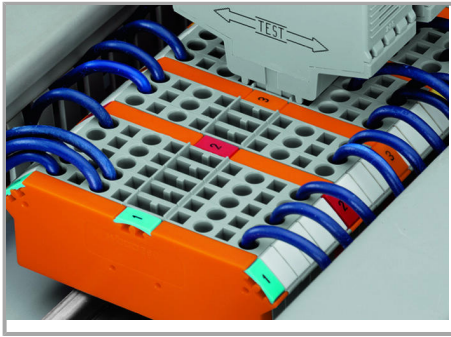
Coding ensures correct polarity



Pluggable electronic modules, for application on 2- or 4-conductor carrier terminal blocks

#### Marking

Subject to changes. Please also observe the further product documentation!



Marking using WMB Multi markers

### Testing



Easy testing at touchproof contacts

Subject to changes. Please also observe the further product documentation!