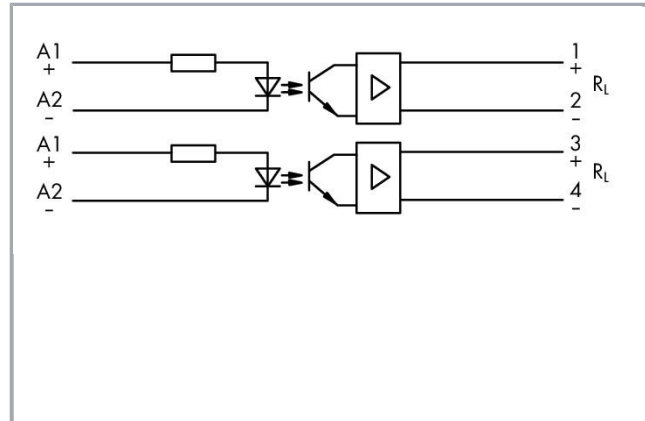


Data sheet | Item number: 286-792
Optocoupler module; Red status indicator; gray

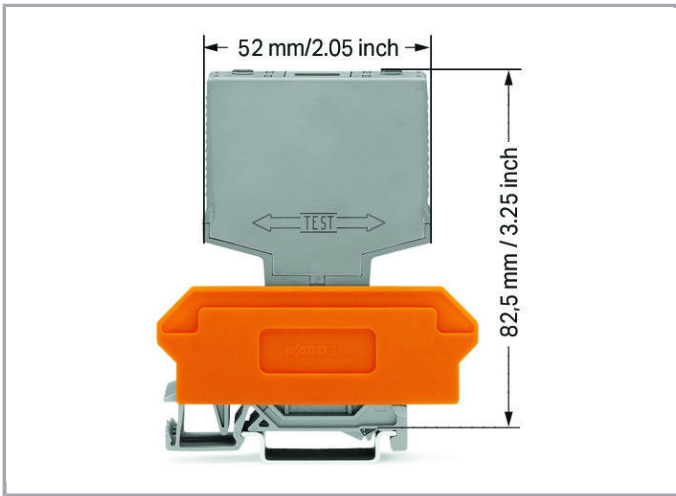
www.wago.com/286-792



Subject to changes. Please also observe the further product documentation!

WAGO Kontakttechnik GmbH & Co. KG
Hansastr. 27
32423 Minden
Phone: +49571 887-0 | Fax: +49571 887-169
Email: info.de@wago.com | Web: www.wago.com

Do you have any questions about our products?
We are always happy to take your call at +49 (571) 887-44222.



Data

Technical Data

Control circuit

Nominal input voltage U_N	DC 24 V
Input voltage range (high level)	DC 7.5 ... 30 V
Nominal input current at U_N	15 mA

Load circuit:

Circuit type	2-way, 2-conductor termination
Limiting continuous current	0.25 A
Nominal output voltage	DC 24 V
Output voltage range	DC 20 ... 30 V
Max. voltage drop at output	\leq DC 2.5 V
Leakage current at nominal voltage	\leq 3 μ A
Turn-on time	\leq 60 μ s
Drop-out time	\leq 120 μ s
Switching frequency	\leq 1.5 kHz

Safety and protection:

Pollution degree	2
Dielectric strength, control/load circuit (AC, 1 min)	2.5 kVrms
Protection class	IP20

Subject to changes. Please also observe the further product documentation!

Geometrical Data

Width	20 mm / 0.787 inch
Height from upper-edge of DIN-35 rail	82.5 mm / 3.25 inch
Depth	52 mm / 2.047 inch

Mechanical data

Type of mounting	Pluggable module for carrier terminal blocks
------------------	--

Material Data

Color	gray
Fire load	0.394 MJ
Weight	23.4 g

Environmental Requirements

Surrounding air (operating) temperature at U_N	-25 ... 40 °C
Surrounding air (storage) temperature	-25 ... 40 °C
Processing temperature	-25 ... +50 °C

Standards and specifications

Standards/specifications	EN 60664-1
--------------------------	------------

Commercial data

Product Group	6 (Interface Electronics)
Packaging type	BOX
Country of origin	DE
GTIN	4045454860448
Customs Tariff No.	85365005000

Counterpart

Compatible products

General accessories

Item no.: 280-628

Subject to changes. Please also observe the further product documentation!

Terminal block for pluggable modules; 8-pole; with 4-conductor terminal blocks; with orange separator; www.wago.com/280-628 for DIN-rail 35 x 15 and 35 x 7.5; 2.5 mm²; CAGE CLAMP®; 2,50 mm²; gray

Item no.: 280-638

Terminal block for pluggable modules; 8-pole; with 2-conductor terminal blocks; with orange separator; www.wago.com/280-638 for DIN-rail 35 x 15 and 35 x 7.5; 2.5 mm²; CAGE CLAMP®; 2,50 mm²; gray

Item no.: 280-764

Terminal block for pluggable modules; 8-pole; with 4-conductor terminal blocks; with marker carrier; www.wago.com/280-764 with orange separator; for DIN-rail 35 x 15 and 35 x 7.5; 2.5 mm²; CAGE CLAMP®; 2,50 mm²; gray

Marking accessories

Item no.: 209-701

WSB marking card; as card; not stretchable; plain; snap-on type; white

www.wago.com/209-701

Item no.: 209-701/000-002

WSB marking card; as card; not stretchable; plain; snap-on type; yellow

www.wago.com/209-701/000-002

Item no.: 209-701/000-005

WSB marking card; as card; not stretchable; plain; snap-on type; red

www.wago.com/209-701/000-005

Item no.: 209-701/000-006

WSB marking card; as card; not stretchable; plain; snap-on type; blue

www.wago.com/209-701/000-006

Item no.: 209-701/000-007

WSB marking card; as card; not stretchable; plain; snap-on type; gray

www.wago.com/209-701/000-007

Item no.: 209-701/000-012

WSB marking card; as card; not stretchable; plain; snap-on type; orange

www.wago.com/209-701/000-012



Item no.: 209-701/000-017

WSB marking card; as card; not stretchable; plain; snap-on type; light green

www.wago.com/209-701/000-017



Item no.: 209-701/000-023

WSB marking card; as card; not stretchable; plain; snap-on type; green

www.wago.com/209-701/000-023



Item no.: 209-701/000-024

WSB marking card; as card; not stretchable; plain; snap-on type; violet

www.wago.com/209-701/000-024

Downloads

Documentation

Instruction Leaflet

pdf

Download

Subject to changes. Please also observe the further product documentation!

WAGO Kontakttechnik GmbH & Co. KG

Hansastr. 27

32423 Minden

Phone: +49571 887-0 | Fax: +49571 887-169

Email: info.de@wago.com | Web: www.wago.com

Do you have any questions about our products?

We are always happy to take your call at +49 (571) 887-44222.

Additional Information

Disposal; Electrical and electronic equipment, Packaging

V 1.0.0

pdf
265.8 kB

[Download](#)

CAD/CAE-Data

CAE data

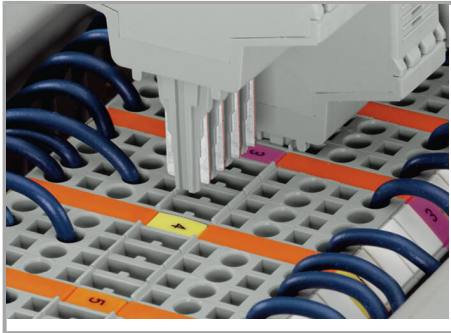
WSCAD Universe 286-792

[URL](#)

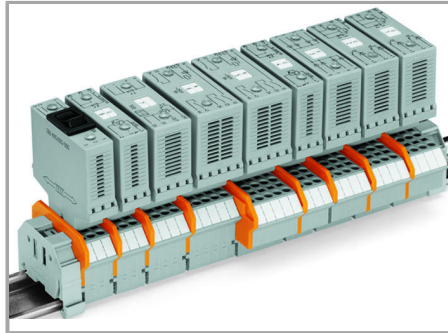
[Download](#)

Installation Notes

Assembly



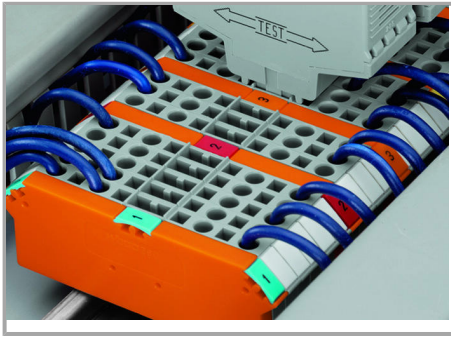
Coding ensures correct polarity



Pluggable electronic modules, for application on 2- or 4-conductor carrier terminal blocks

Marking

Subject to changes. Please also observe the further product documentation!



Marking using WMB Multi markers

Testing



Easy testing at touchproof contacts

Subject to changes. Please also observe the further product documentation!