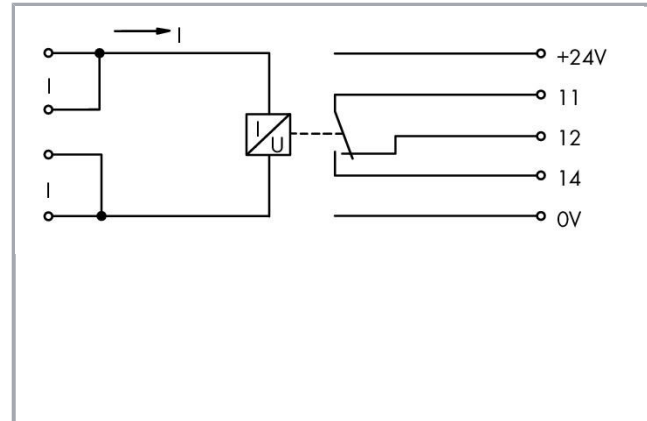
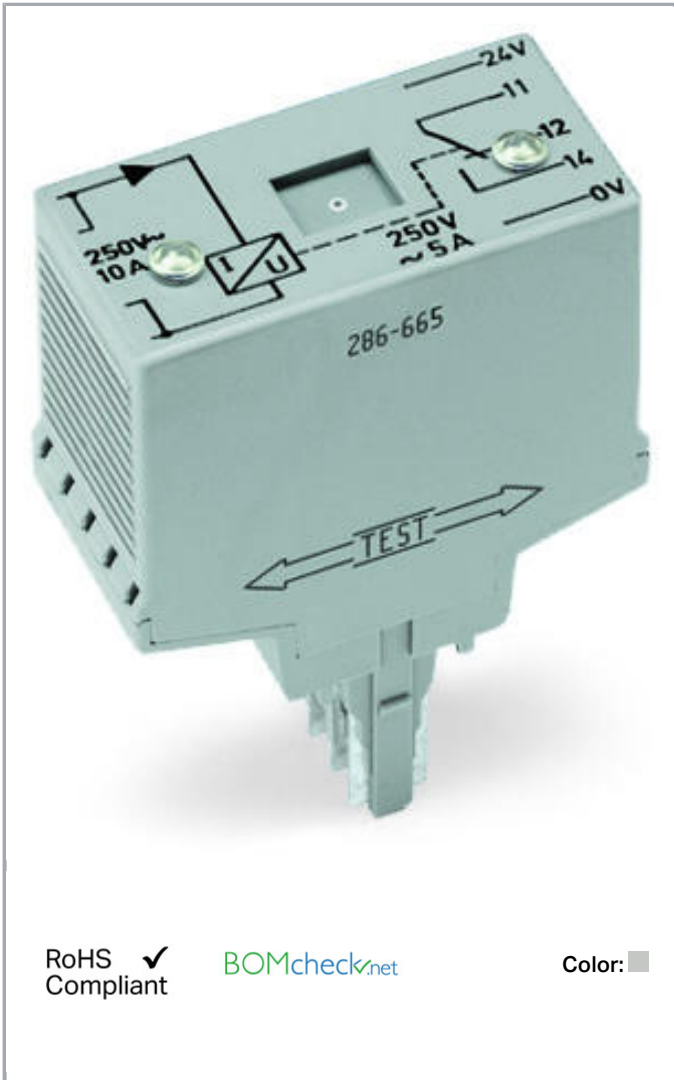


Data sheet | Item number: 286-665

Current flow monitoring module; AC currents; Monitoring range: 1 A – 10 A; 1 changeover contact; light gray



www.wago.com/286-665



RoHS Compliant

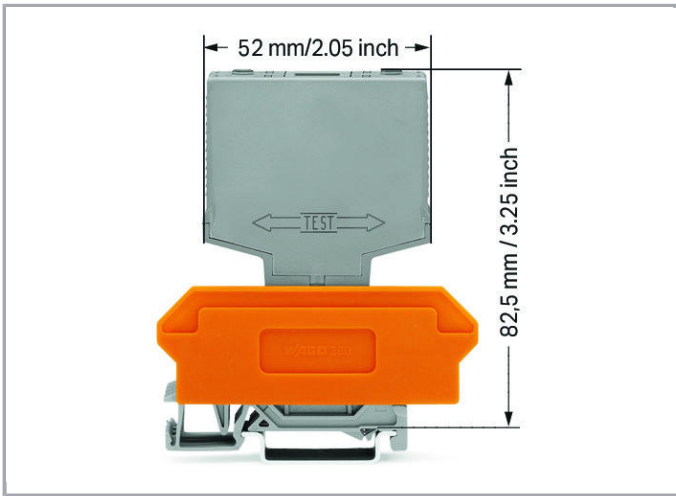
[BOMcheck.net](https://www.bomcheck.net)

Color:

Subject to changes. Please also observe the further product documentation!

WAGO Kontakttechnik GmbH & Co. KG
Hansastr. 27
32423 Minden
Phone: +49571 887-0 | Fax: +49571 887-169
Email: info.de@wago.com | Web: www.wago.com

Do you have any questions about our products?
We are always happy to take your call at +49 (571) 887-44222.



Data

Electrical data

| | |
|--|--|
| Nominal operating voltage | DC 24 V |
| Current consumption at supply voltage | ≤ 28 mA |
| Voltage drop at input | 23 ... 850 mV |
| Max. measuring span | 1 ... 10 AAC |
| Min. switching threshold (adjustable) | 1 A |
| Response time | 200 ms |
| Number of changeover/switchover contacts | 1 |
| Number of break contacts/switch off contacts | 1 |
| Limiting continuous current | 5 A |
| Max. switching voltage | AC 250 V |
| Max. switching power (resistive) | AC 1250 VA |
| Status indication | Red LED; Energized relay (current < switching threshold) |

Safety and protection:

| | |
|--|-------|
| Rated voltage | 250 V |
| Rated impulse voltage | 4 kV |
| Pollution degree | 2 |
| Dielectric strength input/output (AC, 1 min) | 1.5 |

Geometrical Data

| | |
|---------------------------------------|---------------------|
| Height from upper-edge of DIN-35 rail | 82,5 mm / 3.25 inch |
| Depth | 52 mm / 2.047 inch |

Subject to changes. Please also observe the further product documentation!



Mechanical data

| | |
|------------------|---|
| Type of mounting | Pluggable module for receptacle terminal blocks |
| Housing design | Plug for carrier terminal blocks |

Material Data

| | |
|--------|------------|
| Color | light gray |
| Weight | 58 g |

Environmental Requirements

| | |
|---|---------------|
| Surrounding air (operating) temperature | -25 ... 40 °C |
| Surrounding air (storage) temperature | -40 ... 70 °C |

Commercial data

| | |
|--------------------|---------------------------|
| Product Group | 6 (Interface Electronics) |
| Packaging type | BOX |
| Country of origin | DE |
| GTIN | 4050821254850 |
| Customs Tariff No. | 85364900990 |

Counterpart

Compatible products

Marking accessories

| | |
|---|--|
| Item no.: 209-701 WSB marking card; as card; not stretchable; plain; snap-on type; white | www.wago.com/209-701 |
| Item no.: 209-701/000-002 WSB marking card; as card; not stretchable; plain; snap-on type; yellow | www.wago.com/209-701/000-002 |
| Item no.: 209-701/000-005 WSB marking card; as card; not stretchable; plain; snap-on type; red | www.wago.com/209-701/000-005 |
| Item no.: 209-701/000-006 WSB marking card; as card; not stretchable; plain; snap-on type; blue | www.wago.com/209-701/000-006 |

Subject to changes. Please also observe the further product documentation!

Item no.: 209-701/000-007
WSB marking card; as card; not stretchable; plain; snap-on type; gray

www.wago.com/209-701/000-007

Item no.: 209-701/000-012
WSB marking card; as card; not stretchable; plain; snap-on type; orange

www.wago.com/209-701/000-012



Item no.: 209-701/000-017
WSB marking card; as card; not stretchable; plain; snap-on type; light green

www.wago.com/209-701/000-017



Item no.: 209-701/000-023
WSB marking card; as card; not stretchable; plain; snap-on type; green

www.wago.com/209-701/000-023



Item no.: 209-701/000-024
WSB marking card; as card; not stretchable; plain; snap-on type; violet

www.wago.com/209-701/000-024

General accessories



Item no.: 280-629
Terminal block for pluggable modules; 10-pole; with 4-conductor terminal blocks; with orange separator; for DIN-rail 35 x 15 and 35 x 7.5; 2.5 mm²; CAGE CLAMP®; 2,50 mm²; gray

www.wago.com/280-629



Item no.: 280-639
Terminal block for pluggable modules; 10-pole; with 2-conductor terminal blocks; with orange separator; for DIN-rail 35 x 15 and 35 x 7.5; 2.5 mm²; CAGE CLAMP®; 2,50 mm²; gray

www.wago.com/280-639



Item no.: 280-765
Terminal block for pluggable modules; 10-pole; with 4-conductor terminal blocks; with marker carrier; with orange separator; for DIN-rail 35 x 15 and 35 x 7.5; 2.5 mm²; CAGE CLAMP®; 2,50 mm²; gray

www.wago.com/280-765

Downloads

Documentation

Instruction Leaflet

pdf
1.3 MB
Download

Additional Information

Disposal; Electrical and electronic equipment, Packaging V 1.0.0 pdf 265.8 kB Download

CAD/CAE-Data

CAD data

2D/3D Models 286-665 URL Download

Subject to changes. Please also observe the further product documentation!



CAE data

WSCAD Universe 286-665

URL

Download

Installation Notes

Subject to changes. Please also observe the further product documentation!

WAGO Kontakttechnik GmbH & Co. KG
Hansastr. 27
32423 Minden
Phone: +49571 887-0 | Fax: +49571 887-169
Email: info.de@wago.com | Web: www.wago.com

Do you have any questions about our products?
We are always happy to take your call at +49 (571) 887-44222.