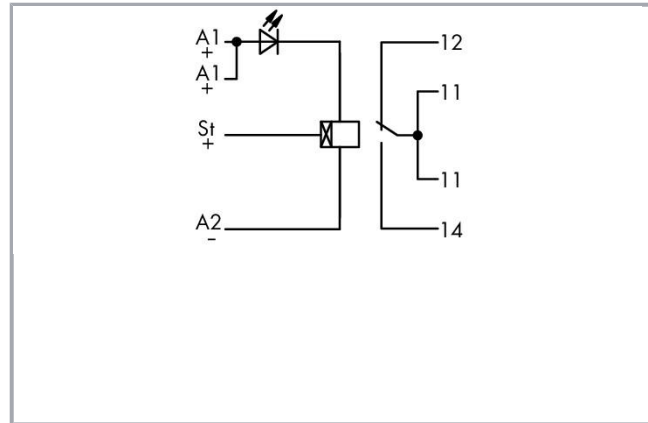


Data sheet | Item number: 286-640/004-000

Multifunction timing relay module; Relay with 1 changeover contact (1u); 4 time ranges; for railway operations; 4 functions; gray



www.wago.com/286-640/004-000



RoHS Compliant

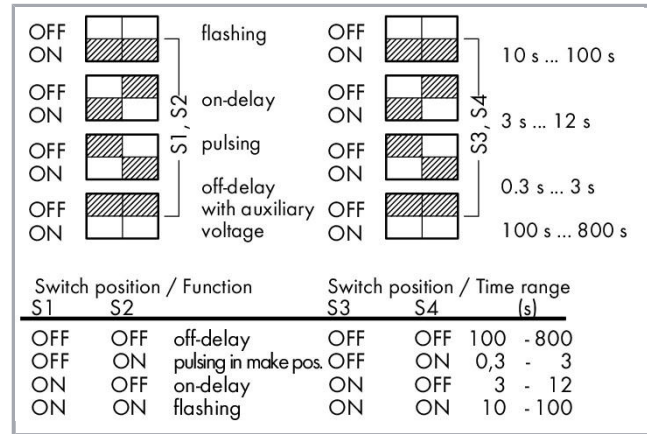
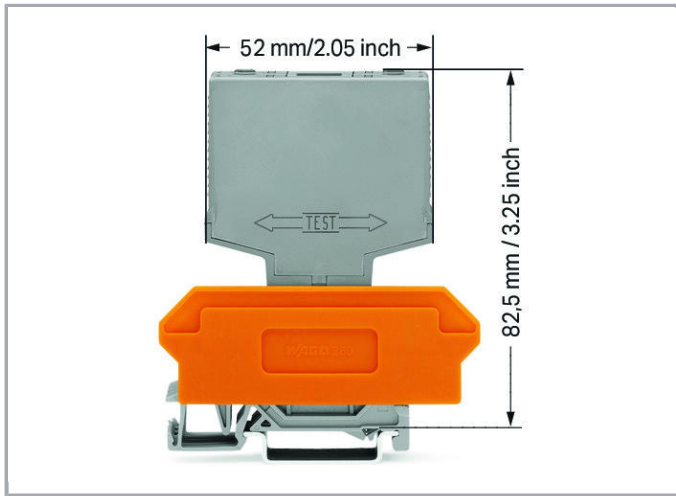
[BOMcheck.net](https://www.bomcheck.net)

Color: ■

Subject to changes. Please also observe the further product documentation!

WAGO Kontakttechnik GmbH & Co. KG
Hansastr. 27
32423 Minden
Phone: +49571 887-0 | Fax: +49571 887-169
Email: info.de@wago.com | Web: www.wago.com

Do you have any questions about our products?
We are always happy to take your call at +49 (571) 887-44222.



Item description

Finely adjusting time within these ranges can be made with the trimming potentiometer.

St+ is only connected with the function "off-delay with auxiliary voltage."

Data

Technical Data

Control circuit

Nominal input voltage U_N	DC 24 V
Input voltage range	-30 ... +25 %
Nominal input current at U_N	24 mA
Time range	0,3 ... 3 s; 3 ... 12 s; 10 ... 100 s; 100 ... 800 s
Reset time	100 ms
Repeat accuracy	1 %

Load circuit:

Number of changeover/switchover contacts	1
Contact material (relay)	AgNi + Au
Limiting continuous current	5 A
Max. make current (resistive)	(AC) 10 A / 4 s
Max. switching voltage	AC 250 V
Max. switching power (resistive)	AC 1250 VA

Subject to changes. Please also observe the further product documentation!



Bounce time (typ)	2 ms
Electrical life (N.O.; resistive load; 23 °C)	100 x 10 ³ switching operations
Mechanical life	15 x 10 ⁶ switching operations

Safety and protection:

Rated voltage	250 V
Rated impulse voltage	4 kV
Pollution degree	2
Dielectric strength, control/load circuit (AC, 1 min)	3 kVrms
Protection class	IP20

Geometrical Data

Width	20 mm / 0.787 inch
Height from upper-edge of DIN-35 rail	82,5 mm / 3.25 inch
Depth	52 mm / 2.047 inch

Mechanical data

Type of mounting	Pluggable module for receptacle terminal blocks
------------------	---

Material Data

Color	gray
Fire load	0.786 MJ
Weight	34.1 g

Environmental Requirements

Surrounding air (operating) temperature at U _N	-25 ... 70 °C
Processing temperature	-25 ... +50 °C

Standards and specifications

Standards/specifications	EN 60664-1
--------------------------	------------

Commercial data

Product Group	6 (Interface Electronics)
Packaging type	BOX

Subject to changes. Please also observe the further product documentation!

Country of origin	DE
GTIN	4017332310635
Customs Tariff No.	85364900990

Counterpart

Compatible products

General accessories


Item no.: 280-628

Terminal block for pluggable modules; 8-pole; with 4-conductor terminal blocks; with orange separator; www.wago.com/280-628 for DIN-rail 35 x 15 and 35 x 7.5; 2.5 mm²; CAGE CLAMP®; 2,50 mm²; gray

Item no.: 280-638

Terminal block for pluggable modules; 8-pole; with 2-conductor terminal blocks; with orange separator; www.wago.com/280-638 for DIN-rail 35 x 15 and 35 x 7.5; 2.5 mm²; CAGE CLAMP®; 2,50 mm²; gray

Item no.: 280-764

Terminal block for pluggable modules; 8-pole; with 4-conductor terminal blocks; with marker carrier; www.wago.com/280-764 with orange separator; for DIN-rail 35 x 15 and 35 x 7.5; 2.5 mm²; CAGE CLAMP®; 2,50 mm²; gray

Marking accessories


Item no.: 209-701

WSB marking card; as card; not stretchable; plain; snap-on type; white

www.wago.com/209-701


Item no.: 209-701/000-002

WSB marking card; as card; not stretchable; plain; snap-on type; yellow

www.wago.com/209-701/000-002

Item no.: 209-701/000-005

WSB marking card; as card; not stretchable; plain; snap-on type; red

www.wago.com/209-701/000-005

Item no.: 209-701/000-006

WSB marking card; as card; not stretchable; plain; snap-on type; blue

www.wago.com/209-701/000-006


Item no.: 209-701/000-007

WSB marking card; as card; not stretchable; plain; snap-on type; gray

www.wago.com/209-701/000-007


Item no.: 209-701/000-012

WSB marking card; as card; not stretchable; plain; snap-on type; orange

www.wago.com/209-701/000-012


Item no.: 209-701/000-017

WSB marking card; as card; not stretchable; plain; snap-on type; light green

www.wago.com/209-701/000-017

Subject to changes. Please also observe the further product documentation!

WAGO Kontakttechnik GmbH & Co. KG

Hansastr. 27

32423 Minden

Phone: +49571 887-0 | Fax: +49571 887-169

Email: info.de@wago.com | Web: www.wago.com

Do you have any questions about our products?

We are always happy to take your call at +49 (571) 887-44222.



Item no.: 209-701/000-023

WSB marking card; as card; not stretchable; plain; snap-on type; green

www.wago.com/209-701/000-023



Item no.: 209-701/000-024

WSB marking card; as card; not stretchable; plain; snap-on type; violet

www.wago.com/209-701/000-024

Downloads

Documentation

Instruction Leaflet

pdf
1.3 MB
Download

Additional Information

Disposal; Electrical and electronic equipment, Packaging V 1.0.0 pdf
265.8 kB Download

CAD/CAE-Data

CAD data

2D/3D Models 286-640/004-000 URL Download

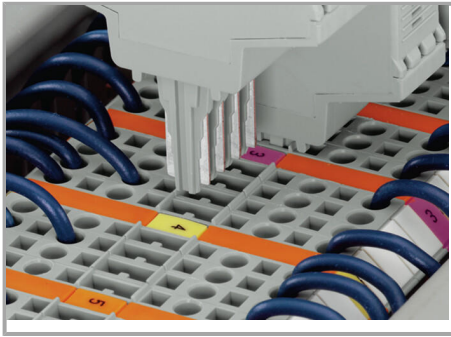
CAE data

WSCAD Universe 286-640/004-000 URL Download

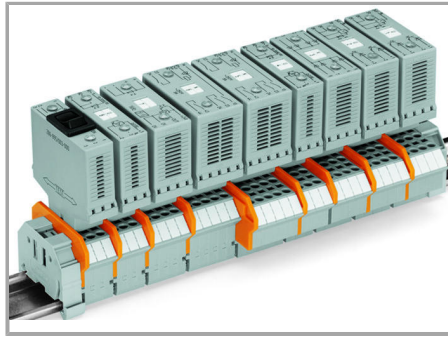
Installation Notes

Assembly

Subject to changes. Please also observe the further product documentation!

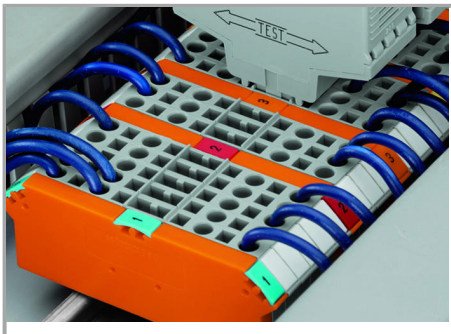


Coding ensures correct polarity



Pluggable electronic modules, for application on 2- or 4-conductor carrier terminal blocks

Marking



Marking using WMB Multi markers

Testing



Easy testing at touchproof contacts

Subject to changes. Please also observe the further product documentation!