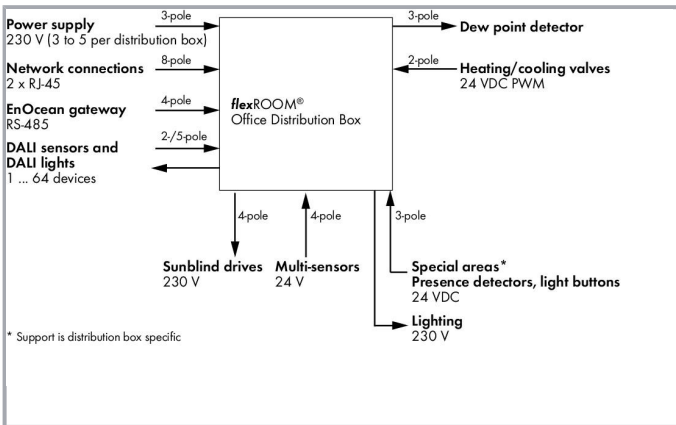


RoHS  Compliant

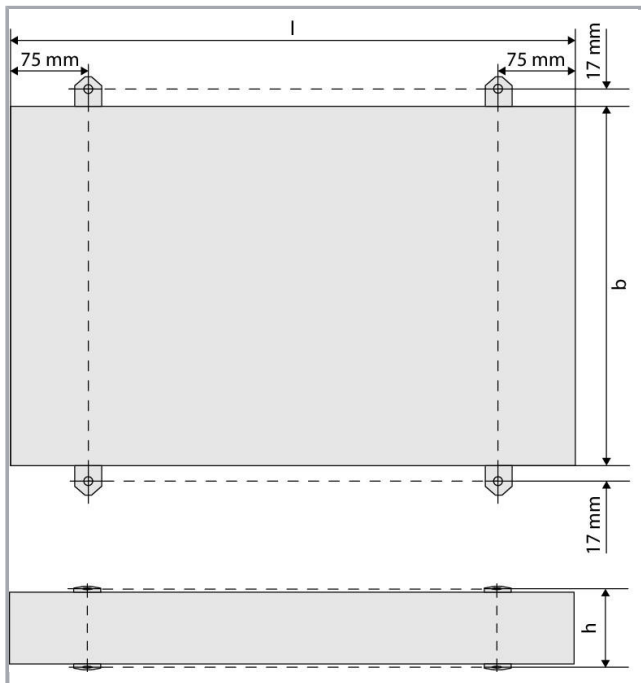
[BOMcheck.net](http://BOMcheck.net)



Subject to changes. Please also observe the further product documentation!

WAGO Kontakttechnik GmbH & Co. KG  
Hansastr. 27  
32423 Minden  
Phone: +49571 887-0 | Fax: +49571 887-169  
Email: [info.de@wago.com](mailto:info.de@wago.com) | Web: [www.wago.com](http://www.wago.com)

Do you have any questions about our products?  
We are always happy to take your call at +49 (571) 887-44222.



### Item description

The **flexROOM**<sup>®</sup> Office Distribution Boxes support the automation of both commercial and functional buildings (offices) with floor plans based on a room axis concept. The boxes automate both lighting and sun protection, while performing single-room control (heating/cooling) for up to 24 room axes. In addition to the room axes, special areas (e.g., stairways, corridors, sanitary facilities) may be automated via specialty **flexROOM**<sup>®</sup> Distribution Boxes.

Control is performed via WAGO 750-884 Application Controller, which is included in the **flexROOM**<sup>®</sup> Distribution Box and preloaded with a **flexROOM**<sup>®</sup> Office Application. Initial commissioning (IP address assignment via BootP server) can be performed via WAGOupload PC software.

A standard Web browser performs both initial room axis configuration and later reconfiguration directly on the distribution box's controller.

Several **flexROOM**<sup>®</sup> Distribution Boxes can be combined into a network via ETHERNET. A standard Web browser also establishes communication between the distribution boxes. A **flexROOM**<sup>®</sup> Distribution Box for weather stations can transmit weather data (e.g., outside temperature or wind alarms) to other **flexROOM**<sup>®</sup> Distribution Boxes for further processing.

For the connection of higher-level management stations, each **flexROOM**<sup>®</sup> Distribution Box provides data in MODBUS tables, that can be read and partly be written by the stations. Configuration data of the **flexROOM**<sup>®</sup> Distribution Boxes can cyclically be saved either directly on the included controller or on a separate computer.

The **flexROOM**<sup>®</sup> Distribution Box is equipped with WAGO WINSTA<sup>®</sup> Connection Technology. The **flexROOM**<sup>®</sup> Distribution Boxes differ from each other in the number of room axes, the support of specialty application areas, various functions depending on the inputs and outputs used.

Subject to changes. Please also observe the further product documentation!



## Data

### Technical Data

Visualization	Web Visu
Baud rate	10/100 Mbit/s
Transmission medium	Twisted Pair S-UTP; 100 Ω; Cat. 5; 100 m maximum cable length
Transmission performance	Class D per EN 50173
Load switching voltage range	Sunblind drives: ±10 %; Lighting (DALI): ±10 %; Lighting (relays): ±10 %
Switching power	Sunblind drives: 300 W (AC3); Lighting (DALI): 3600 VA in total; Heating/cooling valves: 6 W (temporary), 3 W (average); Lighting (relays): 3600 VA in total with DALI lighting fixtures
Power supply	230 VAC, 50 ... 60 Hz

### Connection data

Connection technology: communication/fieldbus	EtherNet/IP: 2 x RJ-45; Modbus TCP/UDP: 2 x RJ-45
---	---

### Geometrical Data

Width	500 mm / 19.685 inch
Height from upper-edge of DIN-35 rail	140 mm / 5.512 inch
Depth	750 mm / 29.528 inch

### Mechanical data

Type of mounting	Wall, screw mount
------------------	-------------------

### Material Data

Weight	14552.6 g
--------	-----------

### Environmental Requirements

Surrounding air (operating) temperature	-5 ... 45 °C
Surrounding air (storage) temperature	-20 ... 70 °C

### Commercial data

Packaging type	BOX
----------------	-----

### Counterpart

Subject to changes. Please also observe the further product documentation!

WAGO Kontakttechnik GmbH & Co. KG  
 Hansastr. 27  
 32423 Minden  
 Phone: +49571 887-0 | Fax: +49571 887-169  
 Email: [info.de@wago.com](mailto:info.de@wago.com) | Web: [www.wago.com](http://www.wago.com)

Do you have any questions about our products?  
 We are always happy to take your call at +49 (571) 887-44222.



## Downloads

### Documentation

#### Manual

flexROOM®-Office-Applikation Zur Konfiguration von Systemverteilern, die einen Applikationscontroller 750-884 enthalten	V 1.0.2	pdf 10.0 MB	Download
flexROOM®-Office-Verteiler T1 A24 Typ 1, 24 Achsen, ohne Sonderbereiche	V 1.0.2	pdf 1.9 MB	Download

#### Quick-Start Guide

flexROOM Office-Verteiler Zubehörliste		pdf 165.7 kB	Download
Schema für flexROOM®-Office-Verteiler 2854-0300/1024-0032		pdf 1.4 MB	Download
Schnellstartanleitung flexROOM		pdf 479.3 kB	Download

#### Bid Text

Steckerset flexROOM-Office-Verteiler 2854-0300/1024-0032		pdf 7.0 kB	Download
--	--	---------------	----------

#### Additional Information

Disposal; Electrical and electronic equipment, Packaging	V 1.0.0	pdf 265.8 kB	Download
Steckerset flexROOM-Office-Verteiler 2854-0300/1024-0032		pdf 7.0 kB	Download
Planungsbeispiel für flexROOM®-Office-Verteiler		pdf 96.8 kB	Download

#### Compatibility Information

VDI3813-Liste flexROOM-Office-Verteiler 2854-0300/1024-0032		zip 46.9 kB	Download
---	--	----------------	----------

Subject to changes. Please also observe the further product documentation!



## Engineering-Software

### Configuration and Commissioning Software

WAGO flexROOM-Auswahltool	1.1	zip	Download
Excel-Hilfstool für die Auswahl von flexROOM®	Oct 12, 2012	9.3 MB	

---

## CAD/CAE-Data

### CAE data

WSCAD Universe 2854-300/1024-032		URL	Download
----------------------------------	--	-----	----------

---

## Installation Notes

Subject to changes. Please also observe the further product documentation!

---

WAGO Kontakttechnik GmbH & Co. KG  
Hansastr. 27  
32423 Minden  
Phone: +49571 887-0 | Fax: +49571 887-169  
Email: [info.de@wago.com](mailto:info.de@wago.com) | Web: [www.wago.com](http://www.wago.com)

Do you have any questions about our products?  
We are always happy to take your call at +49 (571) 887-44222.