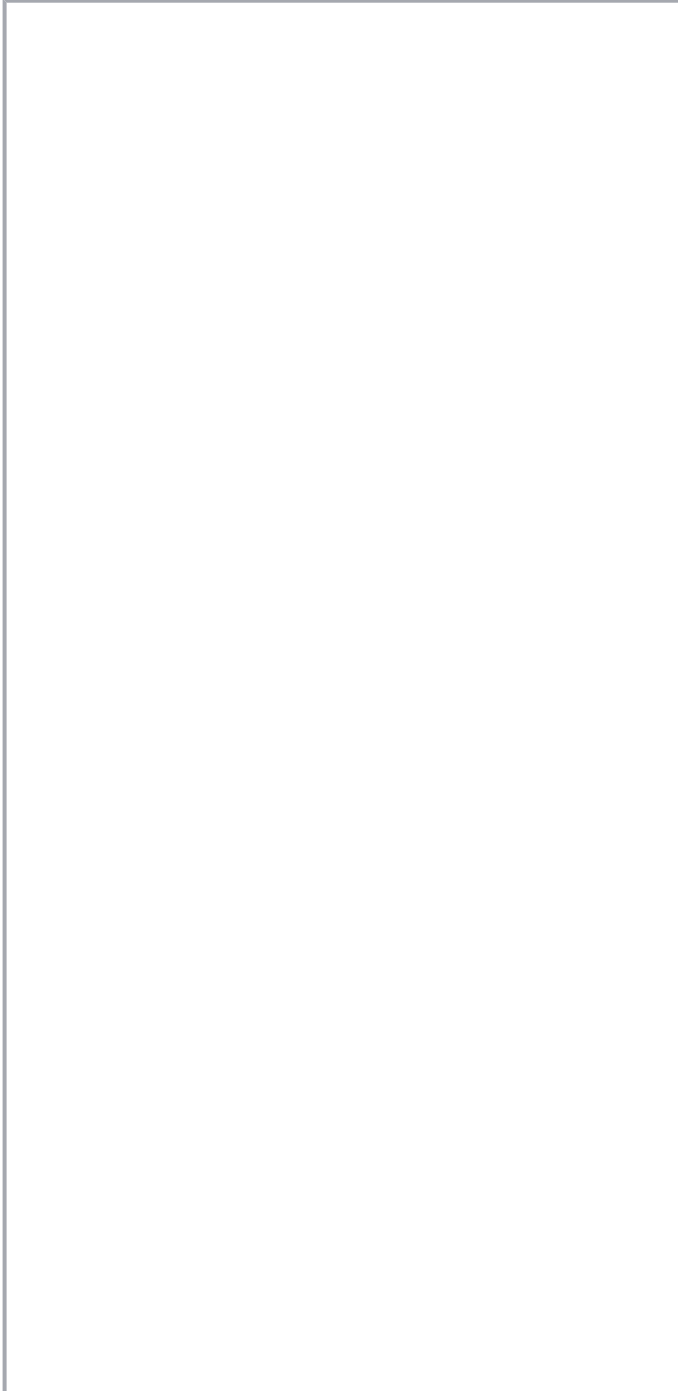


Data sheet | Item number: 284-414

Step-down jumper; insulated; from 10/6 mm² to 4/2.5/1.5 mm²; Nominal current 15 A; gray

www.wago.com/284-414



Subject to changes. Please also observe the further product documentation!

WAGO Kontakttechnik GmbH & Co. KG
Hansastr. 27
32423 Minden
Phone: +49571 887-0 | Fax: +49571 887-169
Email: info.de@wago.com | Web: www.wago.com

Do you have any questions about our products?
We are always happy to take your call at +49 (571) 887-44222.



Subject to changes. Please also observe the further product documentation!

WAGO Kontakttechnik GmbH & Co. KG
Hansastr. 27
32423 Minden
Phone: +49571 887-0 | Fax: +49571 887-169
Email: info.de@wago.com | Web: www.wago.com

Do you have any questions about our products?
We are always happy to take your call at +49 (571) 887-44222.



Data

Electrical data

Ratings per IEC/EN 60664-1

Rated current	15 A
---------------	------

Geometrical Data

Width	6 mm / 0.236 inch
Depth	9 mm / 0.354 inch

Material Data

Color	gray
Fire load	0.013 MJ
Weight	2.1 g

Commercial data

Product Group	1 (Rail Mounted Terminal Blocks)
Packaging type	BOX
Country of origin	DE
GTIN	4044918255615
Customs Tariff No.	85366990990

Counterpart

Downloads

Documentation

Additional Information

Technical explanations	Apr 3, 2019	pdf 2.1 MB	Download
------------------------	-------------	---------------	----------

Subject to changes. Please also observe the further product documentation!

CAD/CAE-Data

CAD data

2D/3D Models 284-414

[URL](#)

[Download](#)

CAE data

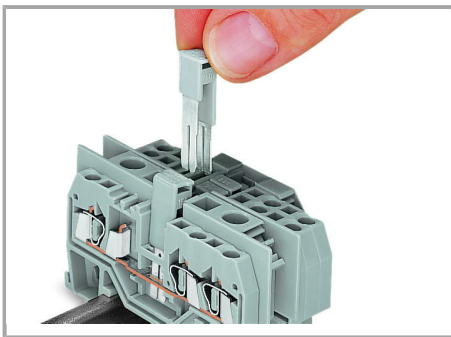
WSCAD Universe 284-414

[URL](#)

[Download](#)

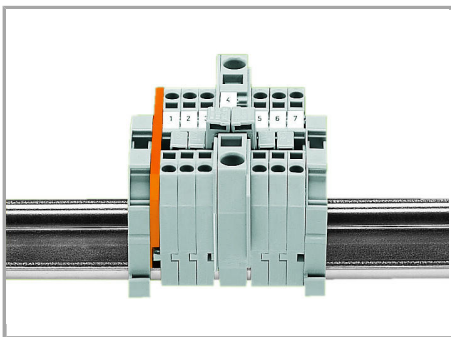
Installation Notes

Jumpered

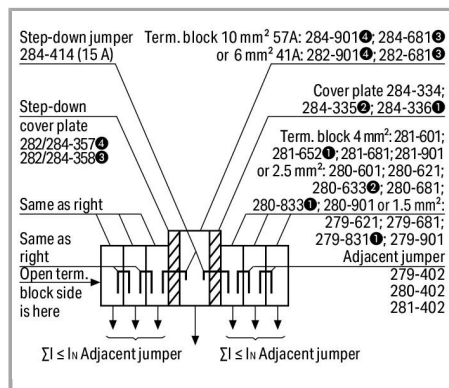


Commoning terminal blocks of different sizes via step-down jumpers.

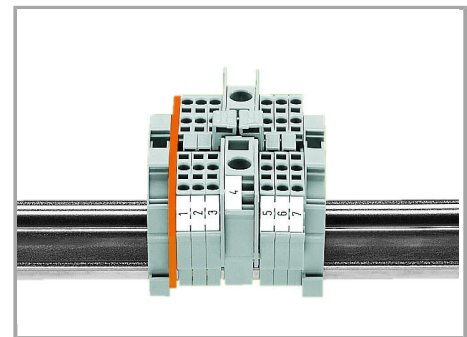
Jumpered



Commoning from 6 mm²/10 AWG (282 Series) to 1.5 mm²/16 AWG (279 Series) rail-mount terminal blocks via step-down jumpers.

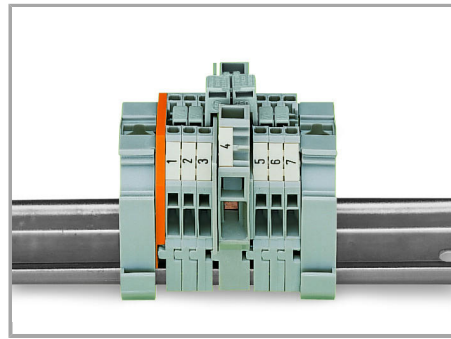
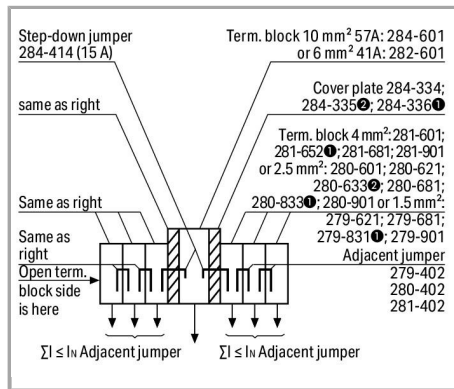


Assembly example: Commoning from 10 /6 mm² (8/10 AWG) to 4/2.5/1.5 mm² (12/14 /16 AWG) rail-mount terminal blocks via step-down jumper (284-414).



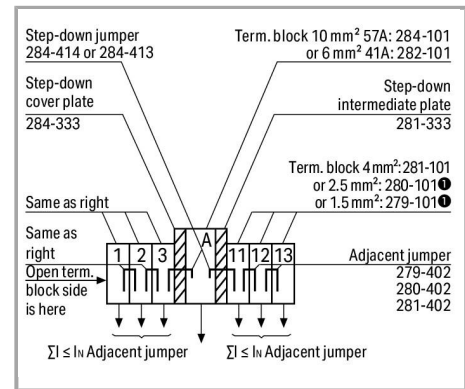
Commoning from 6 mm²/10 AWG (282 Series) to 1.5 mm²/16 AWG (279 Series) rail-mount terminal blocks via step-down jumpers.

Subject to changes. Please also observe the further product documentation!



Commoning from 6 mm²/10 AWG (282 Series) to 1.5 mm²/16 AWG (279 Series) rail-mount terminal blocks via step-down jumpers.

Assembly example: Commoning from 10 /6 mm² (8/10 AWG) to 4/2.5/1.5 mm² (12/14 /16 AWG) rail-mount terminal blocks via step-down jumper (284-414).



Assembly example: Commoning from 10 /6 mm² (8/10 AWG) to 4/2.5/1.5 mm² (12/14 /16 AWG) rail-mount terminal blocks via step-down jumper (284-414).

1 Commoning from 10 mm² (284-101) to 2.5 mm² (280-101) or 1.5 mm² (279-101) terminal blocks via terminal block rear side is not possible (see example: terminal block A to 11).

Subject to changes. Please also observe the further product documentation!