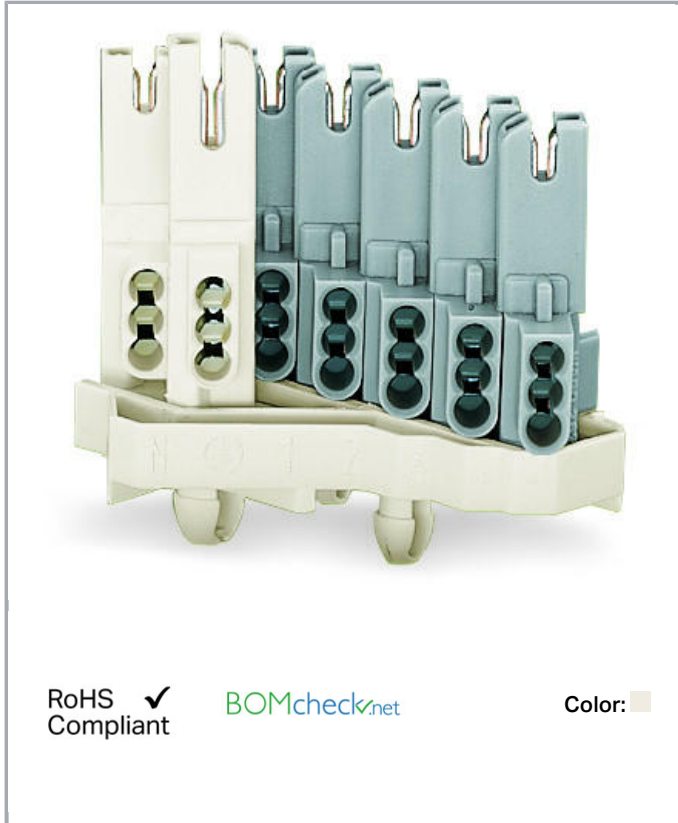


Data sheet | Item number: 267-164

Female connector; 4-pole; 1,00 mm²; white

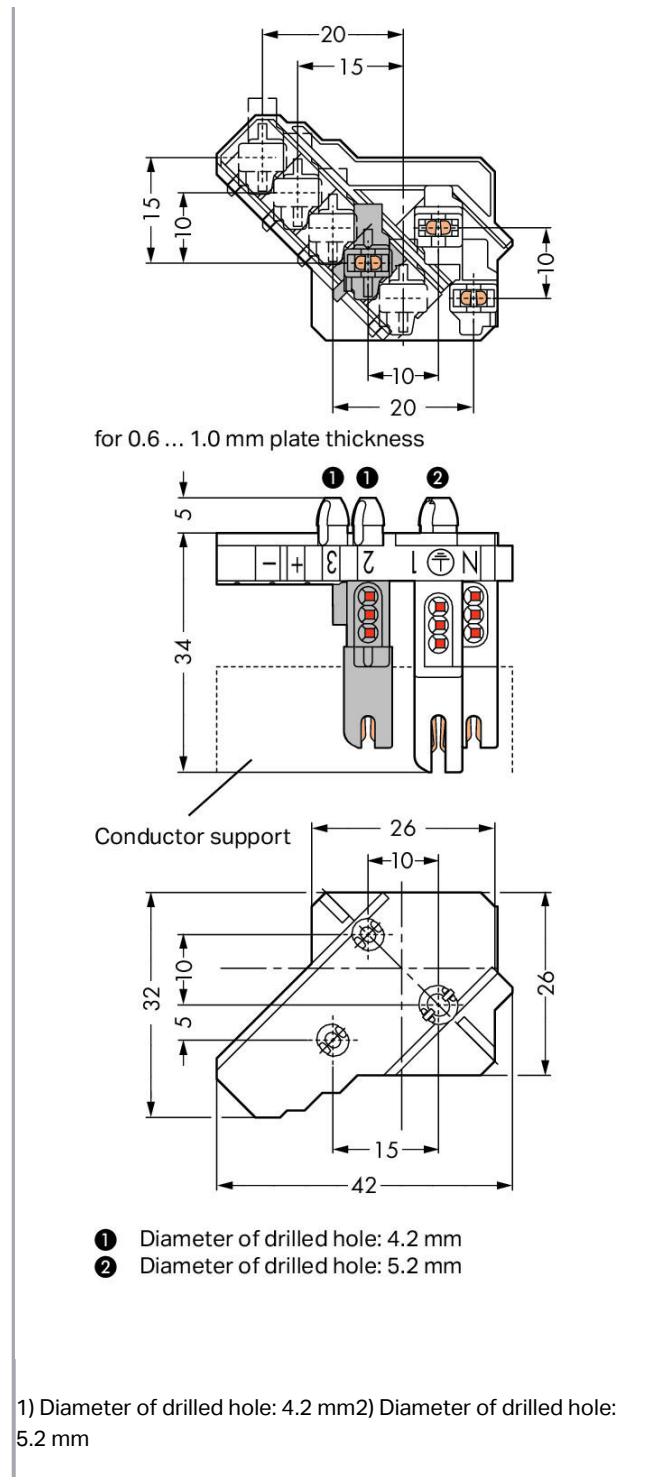
www.wago.com/267-164



Subject to changes. Please also observe the further product documentation!

WAGO Kontakttechnik GmbH & Co. KG
Hansastr. 27
32423 Minden
Phone: +49571 887-0 | Fax: +49571 887-169
Email: info.de@wago.com | Web: www.wago.com

Do you have any questions about our products?
We are always happy to take your call at +49 (571) 887-44222.



Item description

Subject to changes. Please also observe the further product documentation!

WAGO Kontakttechnik GmbH & Co. KG
Hansastr. 27
32423 Minden
Phone: +49571 887-0 | Fax: +49571 887-169
Email: info.de@wago.com | Web: www.wago.com

Do you have any questions about our products?
We are always happy to take your call at +49 (571) 887-44222.



- Flexible, modular 5- to 11-pole connector system
- Future system expansions possible
- Compact design

Data

Electrical data

Ratings per IEC/EN 60664-1

Rated voltage (III / 2)	500 V
Rated impulse voltage (III / 2)	4 kV
Rated current	6 A
Legend (ratings)	(III / 2) $\hat{=}$ Overvoltage category III / Pollution degree 2

Approvals per UL 1059

Approvals per	UL 1059
---------------	---------

Connection data

Connection technology	PUSH WIRE [®]
Strip length	8 mm / 0.31 inch
No. of poles	4
Number of connection types	1

Geometrical Data

Width	26 mm / 1.024 inch
Height from the surface	34 mm / 1.339 inch
Depth	42 mm / 1.654 inch

Material Data

Color	white
Material group	I
Insulating material	Polyamide 66 (PA 66)
Flammability class per UL94	V0
Clamping spring material	Chrome nickel spring steel (CrNi)
Contact material	Electrolytic copper (E _{Cu})
Contact plating	tin-plated

Subject to changes. Please also observe the further product documentation!

Fire load	0.168 MJ
Weight	8.5 g

Environmental Requirements



Temperature stability	105 °C
-----------------------	--------

Commercial data


Product Group	8 (Misc. Chassis Mount Blocks)
Packaging type	bag
Country of origin	PL
GTIN	4044918499682
Customs Tariff No.	85369010000

Approvals / Certificates

Country specific Approvals

Logo	Approval	Additional Approval Text	Certificate name
	CCA DEKRA Certification B.V.	EN 61984	NL-47718
	KEMA/KEUR DEKRA Certification B.V.	EN 61984	71-100641
	VDE VDE Prüf- und Zertifizierungsinstitut	EN 61984	40032309

UL-Approvals

Logo	Approval	Additional Approval Text	Certificate name
	UL Underwriters Laboratories Inc.	UL 1977	20130910-E45171

Counterpart

Subject to changes. Please also observe the further product documentation!

WAGO Kontakttechnik GmbH & Co. KG
 Hansastr. 27
 32423 Minden
 Phone: +49571 887-0 | Fax: +49571 887-169
 Email: info.de@wago.com | Web: www.wago.com

Do you have any questions about our products?
 We are always happy to take your call at +49 (571) 887-44222.



Downloads

Documentation

Additional Information

Technical explanations	Apr 3, 2019	pdf 3.6 MB	Download
------------------------	-------------	---------------	----------

CAD/CAE-Data

CAD data

2D/3D Models 267-164		URL	Download
----------------------	--	-----	----------

CAE data

EPLAN Data Portal 267-164		URL	Download
---------------------------	--	-----	----------

Installation Notes

Subject to changes. Please also observe the further product documentation!