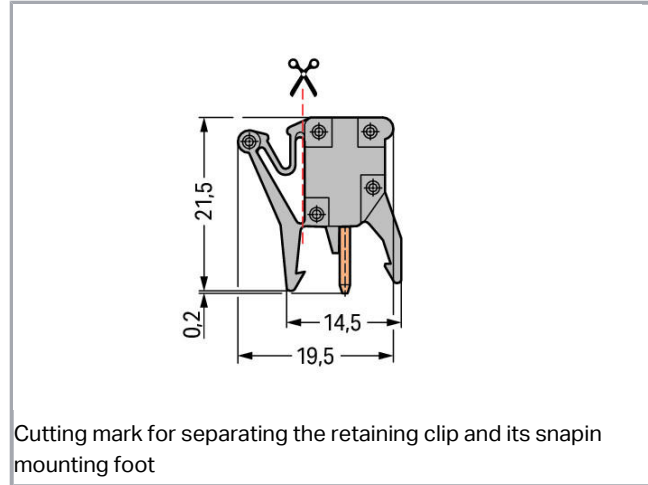


**Data sheet | Item number: 249-112**

Test plug adapter; suitable for 255, 256, 257 Series PCB terminal blocks; 1-pole; Pin spacing 7.5 mm / 0.295 in; gray

[www.wago.com/249-112](http://www.wago.com/249-112)



Cutting mark for separating the retaining clip and its snap-in mounting foot

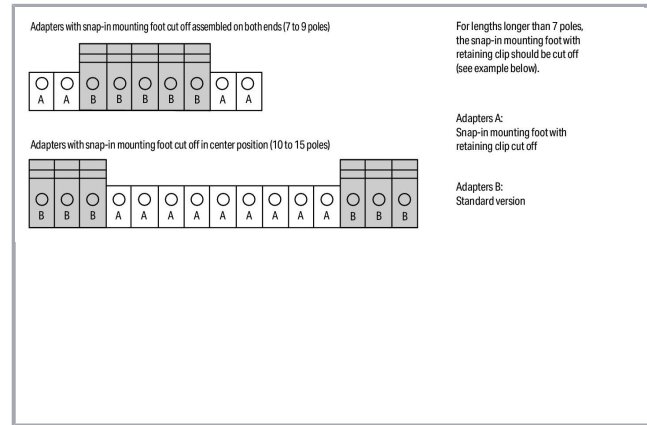
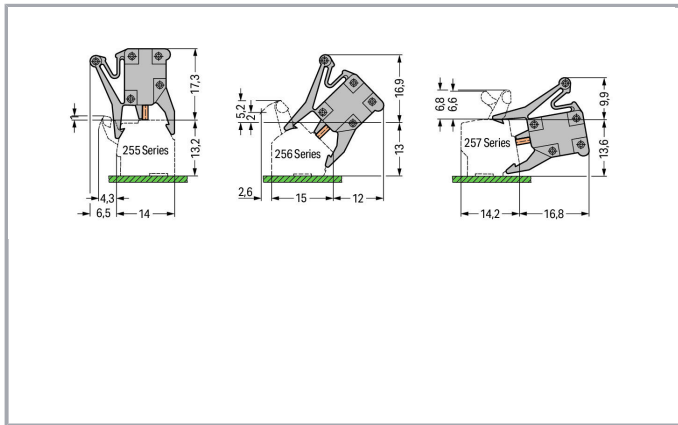
RoHS Compliant

Color:

Subject to changes. Please also observe the further product documentation!

WAGO Kontakttechnik GmbH & Co. KG  
Hansastr. 27  
32423 Minden  
Phone: +49571 887-0 | Fax: +49571 887-169  
Email: [info.de@wago.com](mailto:info.de@wago.com) | Web: [www.wago.com](http://www.wago.com)

Do you have any questions about our products?  
We are always happy to take your call at +49 (571) 887-44222.



## Data

### Electrical data

### Ratings per IEC/EN 60664-1

Ratings per	IEC/EN 60664-1
Rated voltage (III / 2)	320 V
Rated impulse voltage (III / 2)	4 kV
Rated current	6 A
Legend (ratings)	(III / 2) $\triangleq$ Overvoltage category III / Pollution degree 2

### Approvals per UL 1059

Approvals per	UL 1059
---------------	---------

### Connection data

No. of poles	1
Number of connection types	1

### Geometrical Data

Pin spacing	7.5 mm / 0.295 inch
Width	7.5 mm / 0.295 inch
Height	21.5 mm / 0.846 inch
Depth	19.5 mm / 0.768 inch

### Mechanical data

Suitable	for 255, 256 and 257 Series PCB Terminal Blocks; with socket for 2 mm and 2.3 mm $\varnothing$ test plugs
----------	---

Subject to changes. Please also observe the further product documentation!



## Material Data

Color	gray
Material group	I
Insulating material	Polyamide 66 (PA 66)
Flammability class per UL94	V0
Weight	1.5 g

## Environmental Requirements

Limit temperature range	-60 ... +105 °C
-------------------------	-----------------

## Commercial data

Product Group	2 (Terminal Block Accessories)
Packaging type	BOX
Country of origin	CH
GTIN	4045454306830
Customs Tariff No.	85366990990

## Counterpart

## Downloads

### Documentation

#### Additional Information

Technical explanations	Apr 3, 2019	pdf 3.6 MB	Download
------------------------	-------------	---------------	----------

## CAD/CAE-Data

### CAE data

EPLAN Data Portal 249-112	URL	Download
---------------------------	-----	----------

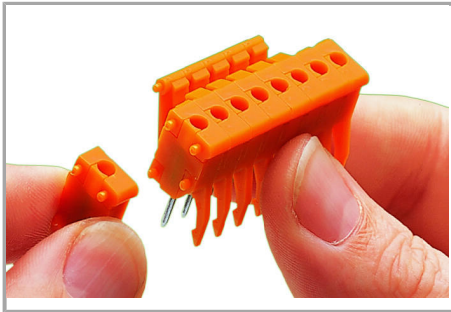
## Installation Notes

### Assembly

Subject to changes. Please also observe the further product documentation!

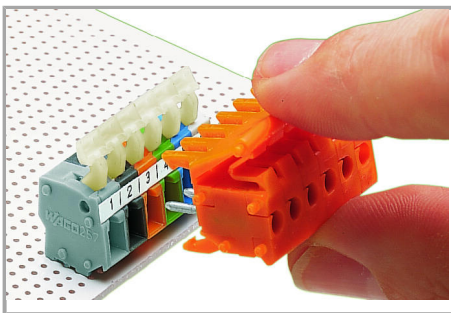
WAGO Kontakttechnik GmbH & Co. KG  
 Hansastr. 27  
 32423 Minden  
 Phone: +49571 887-0 | Fax: +49571 887-169  
 Email: [info.de@wago.com](mailto:info.de@wago.com) | Web: [www.wago.com](http://www.wago.com)

Do you have any questions about our products?  
 We are always happy to take your call at +49 (571) 887-44222.



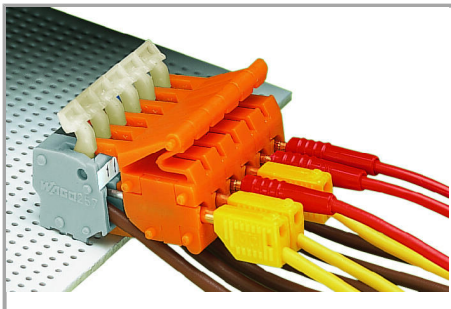
Assembling a multipole test plug adapter.

### Assembly



Inserting a 6-pole test plug adapter into a terminal strip.

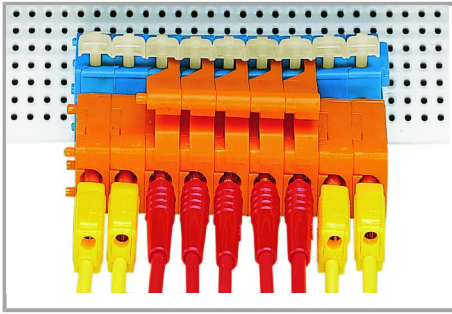
### Testing



Testing a wired PCB terminal strip.

### Application

Subject to changes. Please also observe the further product documentation!



9-pole test plug adapter – external snap-in  
mounting feet with retaining clips cut off

Subject to changes. Please also observe the further product documentation!