

Data sheet | Item number: 243-211

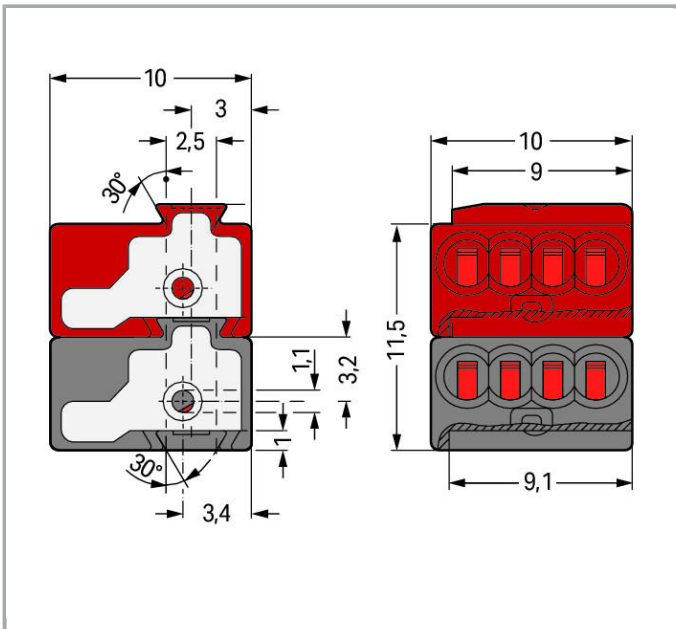
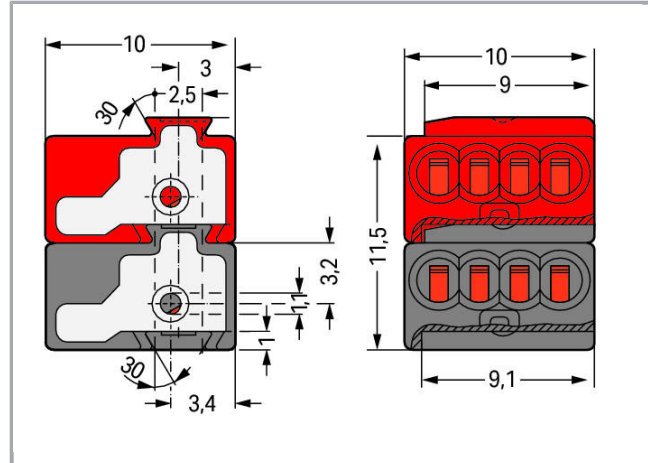
4-conductor modular PCB connector; for individual solder pins; for KNX; 0.8 mm Ø; Pin spacing 5.75 mm; 2-pole; dark gray/red



[www.wago.com/243-211](http://www.wago.com/243-211)



RoHS  Compliant [BOMcheck.net](https://www.bomcheck.net)



Item description

Subject to changes. Please also observe the further product documentation!

WAGO Kontakttechnik GmbH & Co. KG  
Hansastr. 27  
32423 Minden  
Phone: +49571 887-0 | Fax: +49571 887-169  
Email: [info.de@wago.com](mailto:info.de@wago.com) | Web: [www.wago.com](http://www.wago.com)

Do you have any questions about our products?  
We are always happy to take your call at +49 (571) 887-44222.



- Compact, 4-conductor KNX/EIB connectors with PUSH WIRE® connection
- Push-in termination of solid conductors
- Four-conductor entries allow devices to be replaced without disrupting the KNX/EIB bus connection

## Data

### Electrical data

#### Ratings per IEC/EN 60664-1

Ratings per	IEC/EN 60664-1
Rated voltage (III / 3)	250 V
Rated impulse voltage (III / 3)	4 kV
Rated voltage (III / 2)	100 V
Rated impulse voltage (III / 2)	4 kV
Rated voltage (II / 2)	630 V
Rated impulse voltage (II / 2)	4 kV
Rated current	6 A
Legend (ratings)	(III / 2) ≙ Overvoltage category III / Pollution degree 2

#### Approvals per UL 1059

Approvals per	UL 1059
---------------	---------

### Connection data

Connection technology	PUSH WIRE®
Conductor diameter	0,6 ... 0,8 mm
Conductor diameter information	When using different conductor diameters
Strip length	5 ... 6 mm / 0.2 ... 0.24 inch
No. of poles	2
Conductor diameter 2	1 mm
Conductor diameter information 2	When using identical conductor diameters
Total number of connection points	8
Total number of potentials	2
Number of connection types	1
Number of levels	1

Subject to changes. Please also observe the further product documentation!



## Geometrical Data

Width	10 mm / 0.394 inch
Height	11,5 mm / 0.453 inch
Depth	10 mm / 0.394 inch

## Plug connection

Contact type (pluggable connector)	Female connector/socket
Connector connection type	for conductor

## Material Data

Color	dark gray/red
Material group	I
Insulating material	Polyamide 66 (PA 66)
Flammability class per UL94	V0
Clamping spring material	Chrome nickel spring steel (CrNi)
Contact material	Electrolytic copper (E <sub>Cu</sub> )
Contact plating	tin-plated
Fire load	0.024 MJ
Weight	1.6 g

## Environmental Requirements

Limit temperature range	-60 ... +105 °C
-------------------------	-----------------

## Commercial data

Packaging type	BOX
Country of origin	DE
GTIN	4044918442831
Customs Tariff No.	85369010000

## Counterpart

## Compatible products

## Marking accessories

Subject to changes. Please also observe the further product documentation!

WAGO Kontakttechnik GmbH & Co. KG  
 Hansastr. 27  
 32423 Minden  
 Phone: +49571 887-0 | Fax: +49571 887-169  
 Email: [info.de@wago.com](mailto:info.de@wago.com) | Web: [www.wago.com](http://www.wago.com)

Do you have any questions about our products?  
 We are always happy to take your call at +49 (571) 887-44222.

Item no.: 210-332/575-103

Marking strips; as a DIN A4 sheet; MARKED; 1-12 (160x); Height of marker strip: 3 mm; Strip length 182 mm; Horizontal marking; Self-adhesive; white

[www.wago.com/210-332/575-103](http://www.wago.com/210-332/575-103)

## Downloads

### Documentation

#### Additional Information

Technical explanations	Apr 3, 2019	pdf 3.6 MB	Download
------------------------	-------------	---------------	----------

## CAD/CAE-Data

### CAD data

2D/3D Models 243-211	URL	Download
----------------------	-----	----------

### CAE data

EPLAN Data Portal 243-211	URL	Download
---------------------------	-----	----------

WSCAD Universe 243-211	URL	Download
------------------------	-----	----------

## Installation Notes

### Installation



The KNX bus system is the intelligent solution to simplify existing building installation control.

Instead of many different conventional wiring styles, the KNX bus system offers a flexible general solution for every application in the field of switching, controlling,

Subject to changes. Please also observe the further product documentation!



measuring, monitoring and signaling.

The decentralized KNX system consists of active and intelligent modules. The system can be customized using the different KNX components.

For example, pairs of sensors/actuators control:

- lighting
- window blinds
- heating/ventilation
- energy management systems
- information display/transmission

Command data is transmitted via twisted-pair bus cable, which is connected to the sensors and actuators by WAGO PUSH WIRE® connectors.

The sensors transmit the commands as "telegrams" to the actuators via the bus. Once the information is gathered, the commands are performed by the actuators. An address is assigned to each "telegram" so that only a defined transmitter is allowed to activate a specified receiver. The address assignment is done using a programming tool.

The bus system is divided into "lines" (segments). The bus lines can be laid out either in a line, star or tree topology. WAGO's PUSH WIRE® connectors connect the different branches to one another in the junction boxes.

New components can be easily added to the existing bus, permitting future expansion of the installation.

When future reallocation of rooms, floors or buildings is required, the installation remains unchanged, so that only the sensors must be reassigned to the actuators.

Subject to changes. Please also observe the further product documentation!