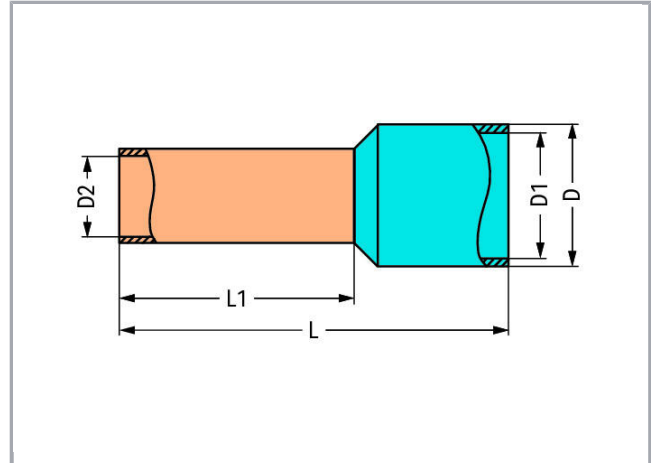


Data sheet | Item number: 216-546

Twin ferrule only for 811 series; Sleeve for 2 x 4 mm / AWG 12; insulated;
Nominal current 63 A; gray



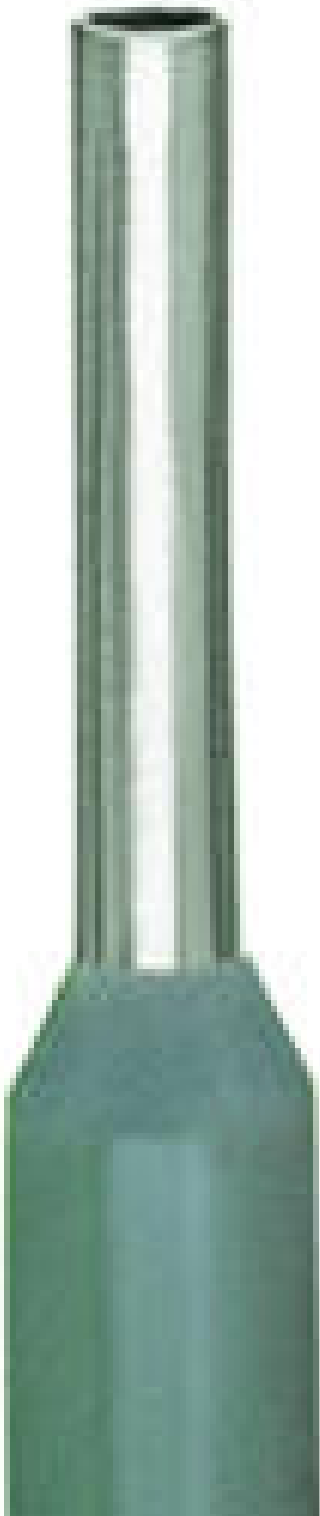
www.wago.com/216-546



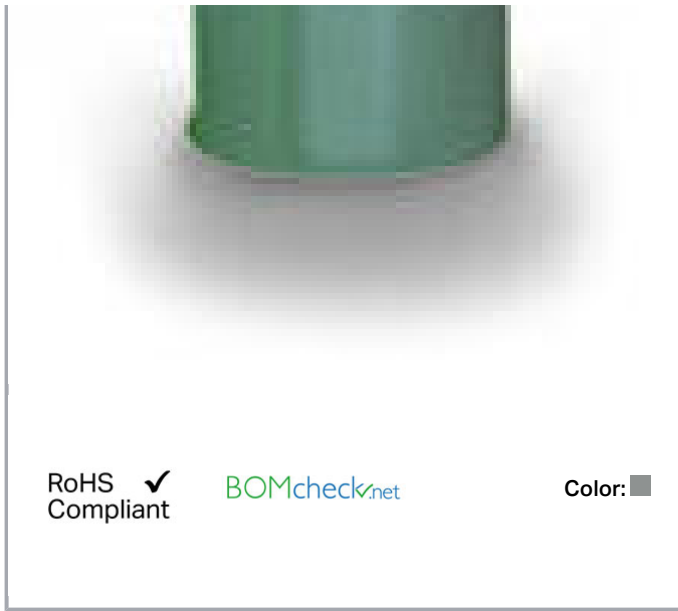
Subject to changes. Please also observe the further product documentation!

WAGO Kontakttechnik GmbH & Co. KG
Hansastr. 27
32423 Minden
Phone: +49571 887-0 | Fax: +49571 887-169
Email: info.de@wago.com | Web: www.wago.com

Do you have any questions about our products?
We are always happy to take your call at +49 (571) 887-44222.



Subject to changes. Please also observe the further product documentation!



Data

Technical Data

Main product function	Ferrule
-----------------------	---------

Connection data

Strip length	12 mm / 0.47 inch
--------------	-------------------

Geometrical Data

Length	22 mm
--------	-------

Length 1	12 mm
----------	-------

Material Data

Color	gray
-------	------

Weight	1.1 g
--------	-------

Commercial data

Packaging type	BOX
----------------	-----

Country of origin	DE
-------------------	----

GTIN	4050821849216
------	---------------

Customs Tariff No.	85369010000
--------------------	-------------

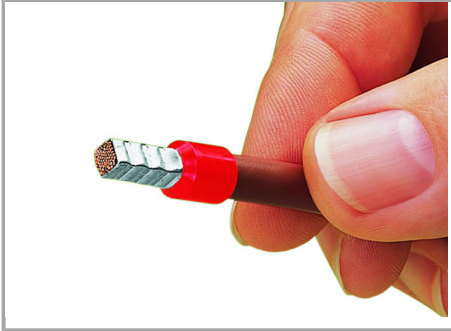
Subject to changes. Please also observe the further product documentation!

WAGO Kontakttechnik GmbH & Co. KG
Hansastr. 27
32423 Minden
Phone: +49571 887-0 | Fax: +49571 887-169
Email: info.de@wago.com | Web: www.wago.com

Do you have any questions about our products?
We are always happy to take your call at +49 (571) 887-44222.

Counterpart

Installation Notes



A perfect gas-tight crimp – both electrically and mechanically reliable

Subject to changes. Please also observe the further product documentation!