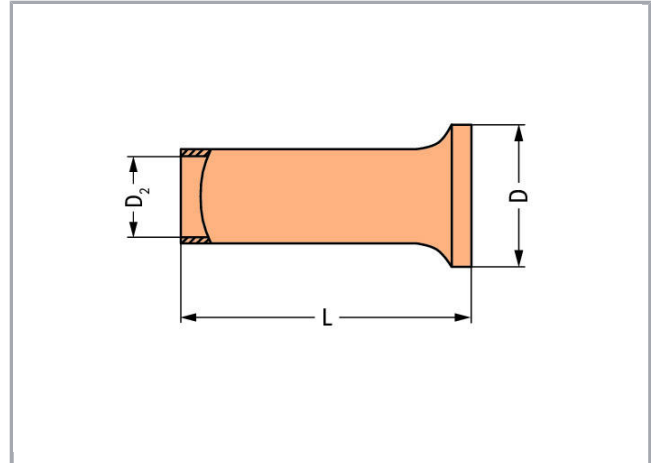


Data sheet | Item number: 216-414

Ferrule; Sleeve for 35 mm² / AWG 2; uninsulated; electro-tin plated; electrolytic copper; gastight crimped; acc. to DIN 46228, Part 1/08.92



www.wago.com/216-414



Data

Technical Data

Main product function	Ferrule
Querschnitt Hülse AWG	2 AWG

Subject to changes. Please also observe the further product documentation!

WAGO Kontakttechnik GmbH & Co. KG
Hansastr. 27
32423 Minden
Phone: +49571 887-0 | Fax: +49571 887-169
Email: info.de@wago.com | Web: www.wago.com

Do you have any questions about our products?
We are always happy to take your call at +49 (571) 887-44222.

Hülse für	35 mm ²
-----------	--------------------

Connection data

Strip length	25 mm / 0.98 inch
--------------	-------------------

Geometrical Data

Length	25 mm
--------	-------

Diameter	11 mm
----------	-------

Diameter 2	8.3 mm
------------	--------

Material Data

Weight	10 g
--------	------

Commercial data

Product Group	2 (Terminal Block Accessories)
---------------	--------------------------------

Packaging type	BOX
----------------	-----

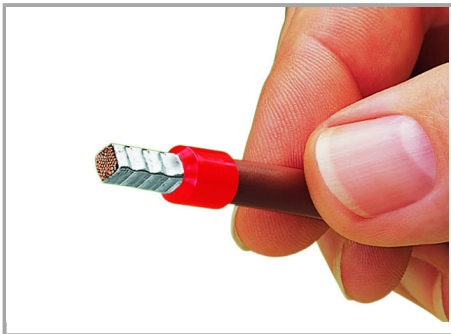
Country of origin	DE
-------------------	----

GTIN	4050821134183
------	---------------

Customs Tariff No.	85369010000
--------------------	-------------

Counterpart

Installation Notes



A perfect gas-tight crimp – both electrically and mechanically reliable

Subject to changes. Please also observe the further product documentation!