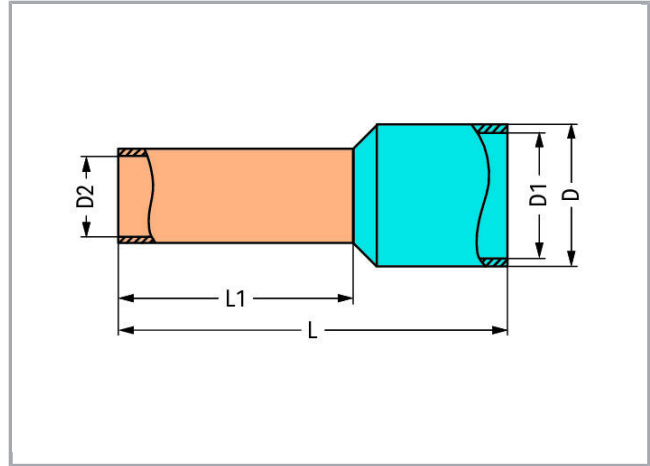


Data sheet | Item number: 216-263

Ferrule; Sleeve for 1 mm² / AWG 18; insulated; electro-tin plated; electrolytic copper; gastight crimped; acc. to DIN 46228, Part 4/09.90; red



www.wago.com/216-263



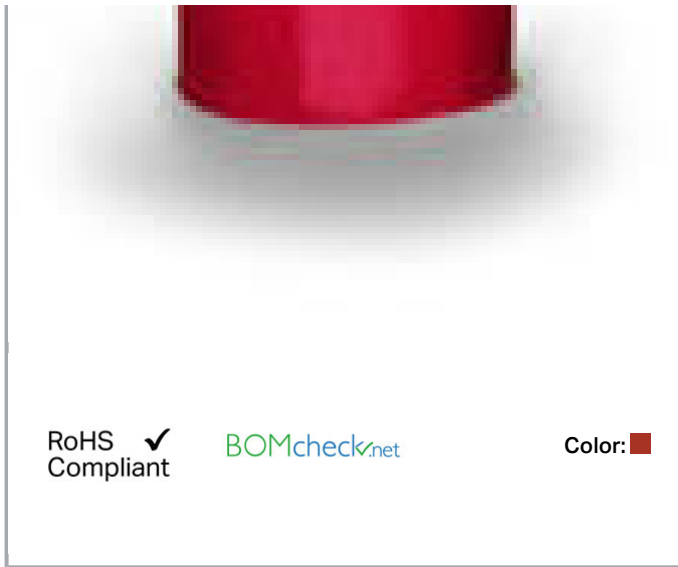
Subject to changes. Please also observe the further product documentation!

WAGO Kontakttechnik GmbH & Co. KG
Hansastr. 27
32423 Minden
Phone: +49571 887-0 | Fax: +49571 887-169
Email: info.de@wago.com | Web: www.wago.com

Do you have any questions about our products?
We are always happy to take your call at +49 (571) 887-44222.



Subject to changes. Please also observe the further product documentation!



Data

Technical Data

Main product function	Ferrule
Querschnitt Hülse AWG	18 AWG
Hülse für	1 mm ²

Connection data

Strip length	14 mm / 0.55 inch
--------------	-------------------

Geometrical Data

Length	18 mm
Length 1	12 mm
Diameter	3.5 mm
Diameter 1	3 mm
Diameter 2	1.4 mm

Material Data

Color	red
Fire load	0.002 MJ
Weight	0.1 g

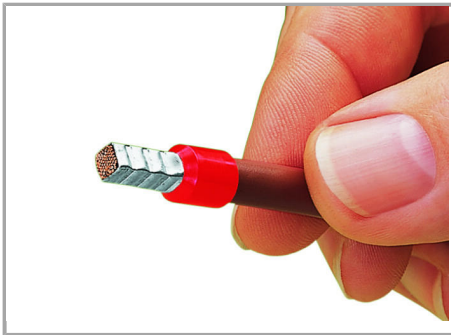
Subject to changes. Please also observe the further product documentation!

Commercial data

Product Group	2 (Terminal Block Accessories)
Packaging type	BOX
Country of origin	DE
GTIN	4044918599887
Customs Tariff No.	85369010000

Counterpart

Installation Notes



A perfect gas-tight crimp – both electrically and mechanically reliable

Subject to changes. Please also observe the further product documentation!