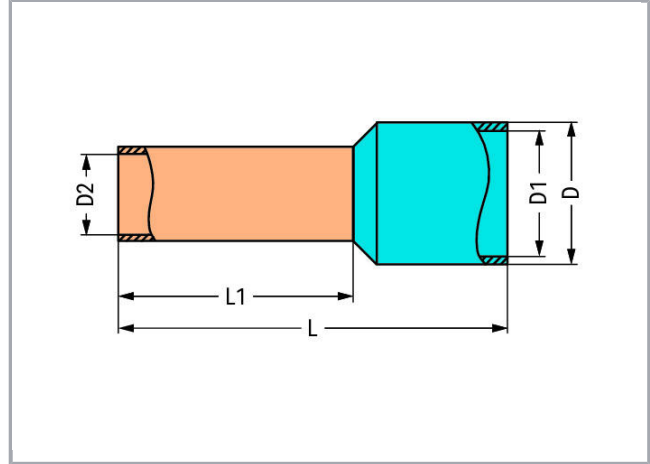


**Data sheet | Item number: 216-243**

Ferrule; Sleeve for 1 mm<sup>2</sup> / AWG 18; insulated; electro-tin plated; electrolytic copper; gastight crimped; acc. to DIN 46228, Part 4/09.90; red



[www.wago.com/216-243](http://www.wago.com/216-243)



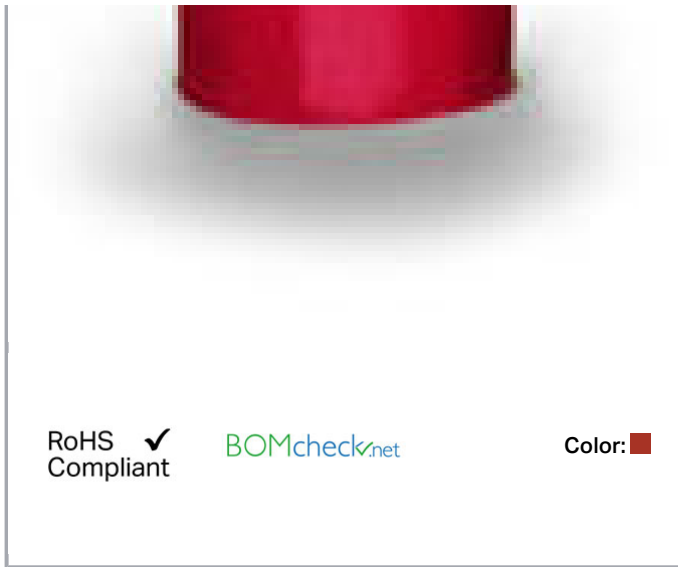
Subject to changes. Please also observe the further product documentation!

WAGO Kontakttechnik GmbH & Co. KG  
Hansastr. 27  
32423 Minden  
Phone: +49571 887-0 | Fax: +49571 887-169  
Email: [info.de@wago.com](mailto:info.de@wago.com) | Web: [www.wago.com](http://www.wago.com)

Do you have any questions about our products?  
We are always happy to take your call at +49 (571) 887-44222.



Subject to changes. Please also observe the further product documentation!



## Data

### Technical Data

Main product function	Ferrule
Querschnitt Hülse AWG	18 AWG
Hülse für	1 mm <sup>2</sup>

### Connection data

Strip length	12 mm / 0.47 inch
--------------	-------------------

### Geometrical Data

Length	16 mm
Length 1	10 mm
Diameter	3.5 mm
Diameter 1	3 mm
Diameter 2	1.4 mm

### Material Data

Color	red
Weight	0.1 g

### Commercial data

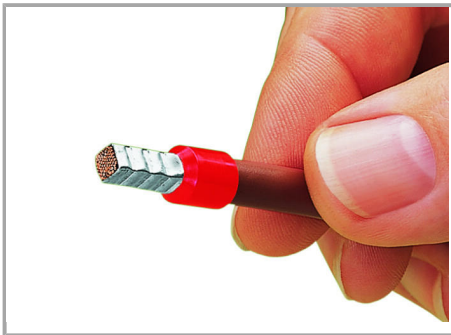
Product Group	2 (Terminal Block Accessories)
---------------	--------------------------------

Subject to changes. Please also observe the further product documentation!

Packaging type	BOX
Country of origin	DE
GTIN	4044918016339
Customs Tariff No.	85369010000

## Counterpart

## Installation Notes



A perfect gas-tight crimp – both electrically and mechanically reliable

Subject to changes. Please also observe the further product documentation!