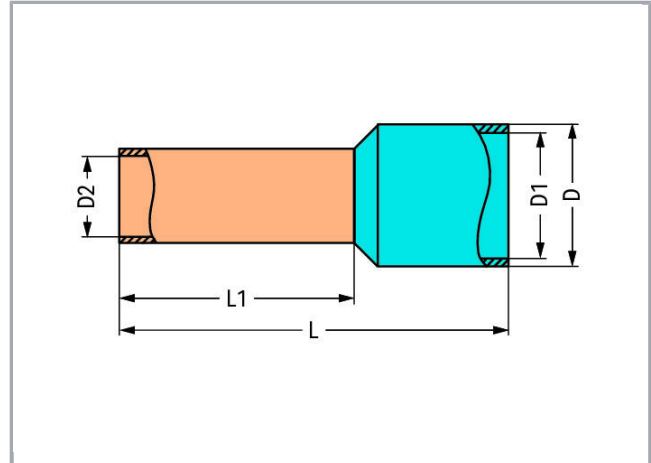


Data sheet | Item number: 216-205

Ferrule; Sleeve for 2.08 mm² / AWG 14; insulated; electro-tin plated; yellow

www.wago.com/216-205



Subject to changes. Please also observe the further product documentation!

WAGO Kontakttechnik GmbH & Co. KG
Hansastr. 27
32423 Minden
Phone: +49571 887-0 | Fax: +49571 887-169
Email: info.de@wago.com | Web: www.wago.com

Do you have any questions about our products?
We are always happy to take your call at +49 (571) 887-44222.



Subject to changes. Please also observe the further product documentation!



Data

Technical Data

Main product function	Ferrule
Querschnitt Hülse AWG	14 AWG
Hülse für	2.08 mm ²

Connection data

Strip length	10 mm / 0.39 inch
--------------	-------------------

Geometrical Data

Length	15 mm
Length 1	8 mm
Diameter	4.8 mm
Diameter 1	4.2 mm
Diameter 2	2.05 mm

Material Data

Color	yellow
Fire load	0.002 MJ
Weight	0.2 g

Commercial data

Product Group	2 (Terminal Block Accessories)
Packaging type	BOX
Country of origin	DE
GTIN	4017332277501
Customs Tariff No.	85369010000

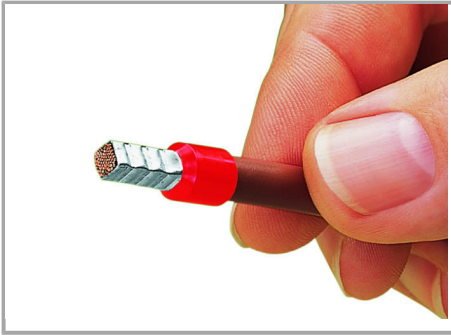
Counterpart

Subject to changes. Please also observe the further product documentation!

WAGO Kontakttechnik GmbH & Co. KG
 Hansastr. 27
 32423 Minden
 Phone: +49571 887-0 | Fax: +49571 887-169
 Email: info.de@wago.com | Web: www.wago.com

Do you have any questions about our products?
 We are always happy to take your call at +49 (571) 887-44222.

Installation Notes



A perfect gas-tight crimp – both electrically and mechanically reliable

Subject to changes. Please also observe the further product documentation!