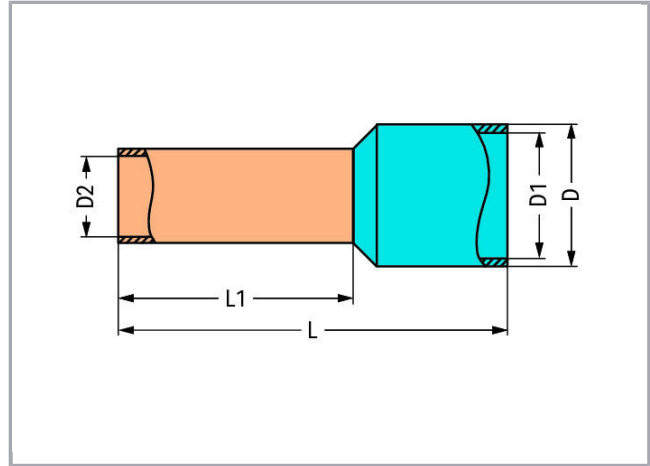


**Data sheet | Item number: 216-204**

Ferrule; Sleeve for 1.5 mm<sup>2</sup> / AWG 16; insulated; electro-tin plated; black

[www.wago.com/216-204](http://www.wago.com/216-204)



Subject to changes. Please also observe the further product documentation!

WAGO Kontakttechnik GmbH & Co. KG  
Hansastr. 27  
32423 Minden  
Phone: +49571 887-0 | Fax: +49571 887-169  
Email: [info.de@wago.com](mailto:info.de@wago.com) | Web: [www.wago.com](http://www.wago.com)

Do you have any questions about our products?  
We are always happy to take your call at +49 (571) 887-44222.



Subject to changes. Please also observe the further product documentation!

RoHS   
Compliant

BOMcheck.net

Color: **Data****Technical Data**

Main product function	Ferrule
Querschnitt Hülse AWG	16 AWG
Hülse für	1.5 mm <sup>2</sup>

**Connection data**

Strip length	10 mm / 0.39 inch
--------------	-------------------

**Geometrical Data**

Length	14 mm
Length 1	8 mm
Diameter	4 mm
Diameter 1	3.5 mm
Diameter 2	1.7 mm

**Material Data**

Color	black
Fire load	0.002 MJ
Weight	0.1 g

**Commercial data**

Product Group	2 (Terminal Block Accessories)
Packaging type	BOX
Country of origin	DE
GTIN	4017332277495
Customs Tariff No.	85369010000

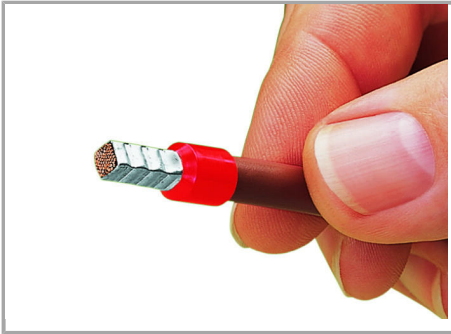
**Counterpart**

Subject to changes. Please also observe the further product documentation!

WAGO Kontakttechnik GmbH & Co. KG  
 Hansastr. 27  
 32423 Minden  
 Phone: +49571 887-0 | Fax: +49571 887-169  
 Email: [info.de@wago.com](mailto:info.de@wago.com) | Web: [www.wago.com](http://www.wago.com)

Do you have any questions about our products?  
 We are always happy to take your call at +49 (571) 887-44222.

## Installation Notes



A perfect gas-tight crimp – both electrically and mechanically reliable

Subject to changes. Please also observe the further product documentation!