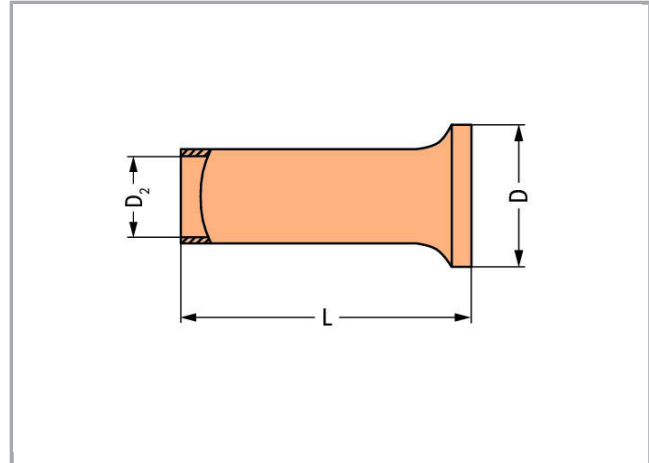


**Data sheet | Item number: 216-142**

Ferrule; Sleeve for 0.75 mm<sup>2</sup> / 18 AWG; uninsulated; electro-tin plated;  
electrolytic copper; gastight crimped; acc. to DIN 46228, Part 1/08.92



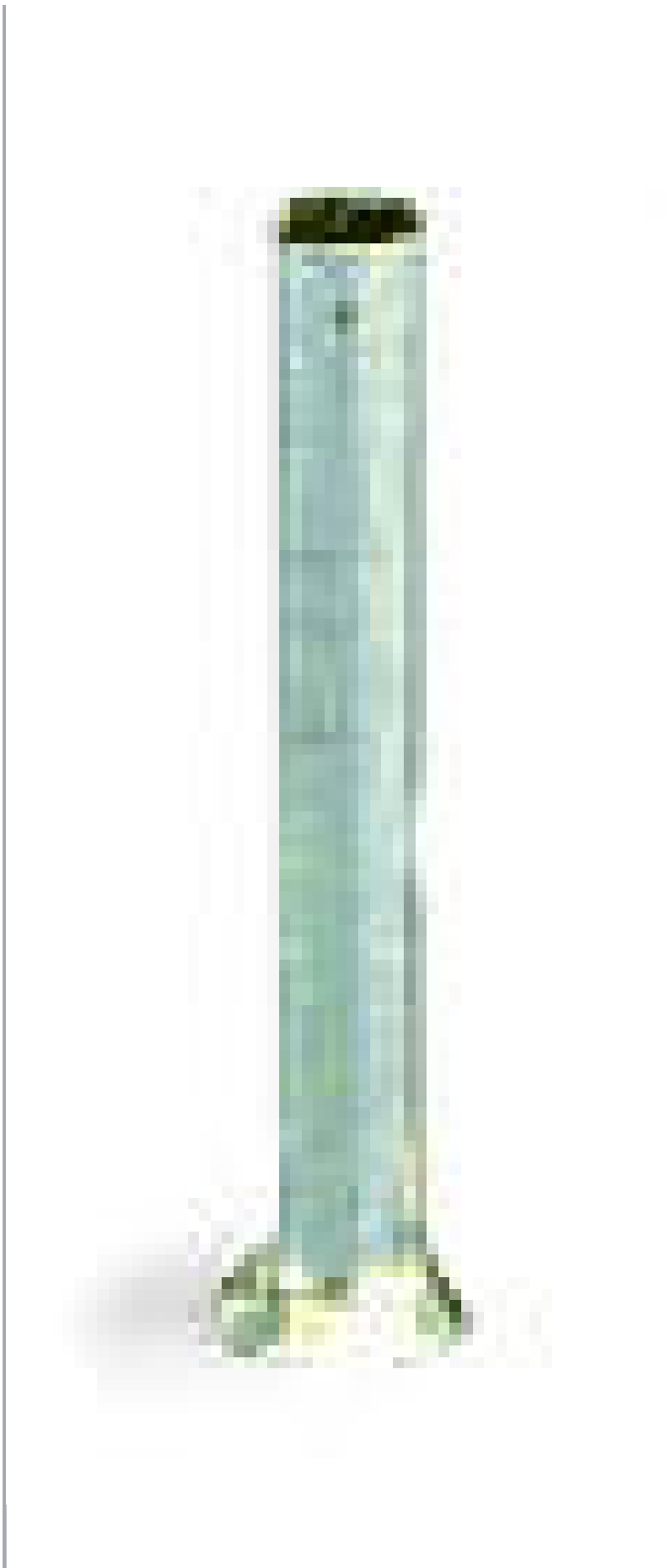
[www.wago.com/216-142](http://www.wago.com/216-142)



Subject to changes. Please also observe the further product documentation!

WAGO Kontakttechnik GmbH & Co. KG  
Hansastr. 27  
32423 Minden  
Phone: +49571 887-0 | Fax: +49571 887-169  
Email: [info.de@wago.com](mailto:info.de@wago.com) | Web: [www.wago.com](http://www.wago.com)

Do you have any questions about our products?  
We are always happy to take your call at +49 (571) 887-44222.



Subject to changes. Please also observe the further product documentation!

RoHS   
Compliant



## Data

### Technical Data

Main product function	Ferrule
Querschnitt Hülse AWG	18 AWG
Hülse für	0.75 mm <sup>2</sup>

### Connection data

Strip length	10 mm / 0.39 inch
--------------	-------------------

### Geometrical Data

Length	10 mm
Diameter	2.3 mm
Diameter 2	1.2 mm

### Material Data

Weight	0.1 g
--------	-------

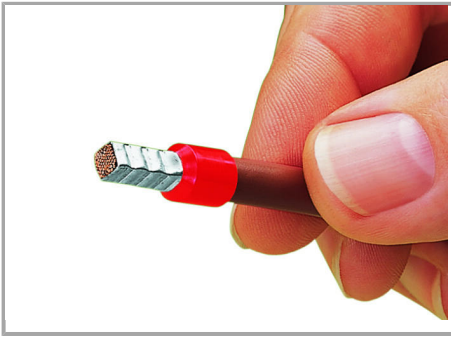
### Commercial data

Product Group	2 (Terminal Block Accessories)
Packaging type	BOX
Country of origin	DE
GTIN	4044918016360
Customs Tariff No.	85369010000

### Counterpart

### Installation Notes

Subject to changes. Please also observe the further product documentation!



A perfect gas-tight crimp – both electrically and mechanically reliable

Subject to changes. Please also observe the further product documentation!