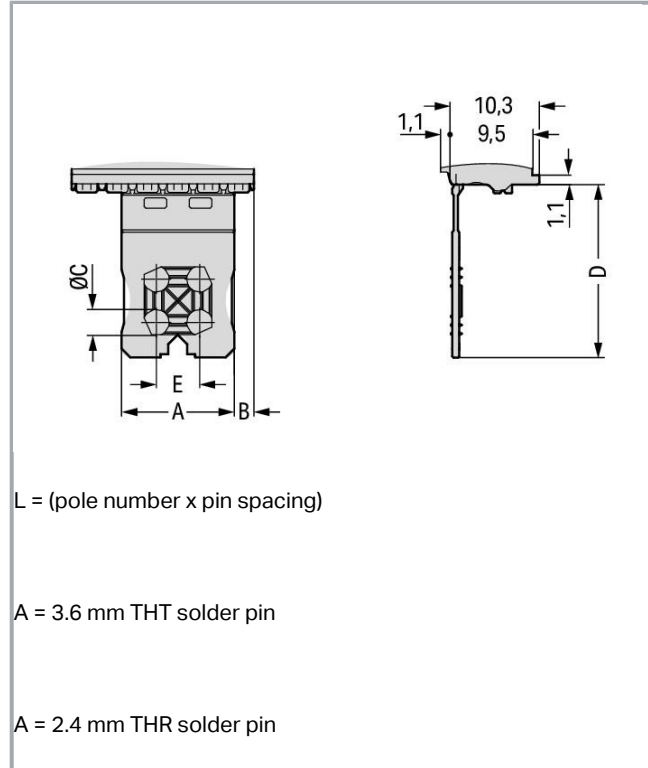


RoHS Compliant

BOMcheck.net

Color:



$L = (\text{pole number} \times \text{pin spacing})$

A = 3.6 mm THT solder pin

A = 2.4 mm THR solder pin

Data

Electrical data

Ratings per IEC/EN 60664-1

Legend (ratings)

(III / 2) $\hat{=}$ Overvoltage category III / Pollution degree 2

Subject to changes. Please also observe the further product documentation!

WAGO Kontakttechnik GmbH & Co. KG
Hansastr. 27
32423 Minden
Phone: +49571 887-0 | Fax: +49571 887-169
Email: info.de@wago.com | Web: www.wago.com

Do you have any questions about our products?
We are always happy to take your call at +49 (571) 887-44222.



Approvals per UL 1059

Approvals per	UL 1059
---------------	---------

Connection data

Number of connection types	1
----------------------------	---

Geometrical Data

Pin spacing	3.5 mm / 0.138 inch
-------------	---------------------

Material Data

Color	light gray
Fire load	0.006 MJ
Weight	0.2 g

Commercial data

Product Group	26 (picoMAX)
Packaging type	BOX
Country of origin	DE
GTIN	4050821162759
Customs Tariff No.	85389099990

Counterpart

Downloads

Documentation

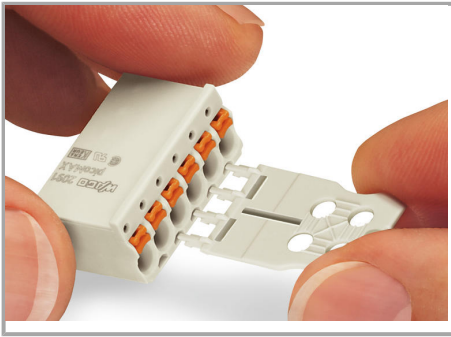
Additional Information

Technical explanations	Apr 3, 2019	pdf 3.6 MB	Download
------------------------	-------------	---------------	----------

Installation Notes

Strain Relief

Subject to changes. Please also observe the further product documentation!



Gripping plates are suitable for factory and in-the-field assembly.

Subject to changes. Please also observe the further product documentation!