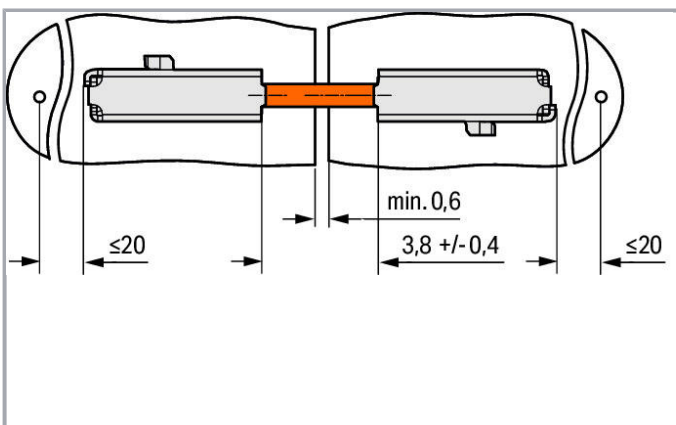
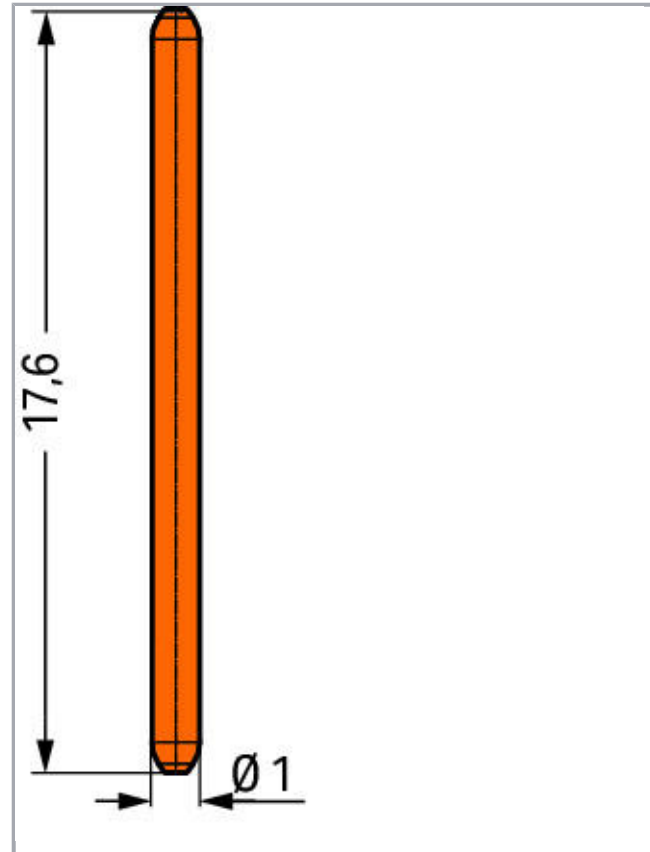


Data sheet | Item number: 2065-133

Board-to-Board Link; Pin spacing 6.5 mm; Length: 17.6 mm

www.wago.com/2065-133



Item description

Subject to changes. Please also observe the further product documentation!

WAGO Kontakttechnik GmbH & Co. KG
Hansastr. 27
32423 Minden
Phone: +49571 887-0 | Fax: +49571 887-169
Email: info.de@wago.com | Web: www.wago.com

Do you have any questions about our products?
We are always happy to take your call at +49 (571) 887-44222.



- Board-to-board links simplify LED module assembly
- Space-saving connection of PCBs

Note:

The layout must meet the requirements of the insulation coordination standard EN/IEC 60664-1 and applicable end product standards.

Safety information 1:

NOTE: Terminal block without insulation housing! Protection against accidental contact must be provided at voltages higher than low voltages (e. g., SELV/PELV) for the relevant application.

Data

Electrical data

Ratings per IEC/EN 60664-1

Ratings per	IEC/EN 60664-1
Rated voltage (III / 3)	250 V
Rated impulse voltage (III / 3)	4 kV
Rated voltage (III / 2)	320 V
Rated impulse voltage (III / 2)	4 kV
Rated voltage (II / 2)	630 V
Rated impulse voltage (II / 2)	4 kV
Rated current	9 A
Legend (ratings)	(III / 2) $\hat{=}$ Overvoltage category III / Pollution degree 2

Approvals per UL 1059

Approvals per	UL 1059
---------------	---------

Connection data

Number of connection types	1
----------------------------	---

Geometrical Data

Depth	17,6 mm / 0.693 inch
Length	17.6 mm
Diameter	1 mm

Subject to changes. Please also observe the further product documentation!



Mechanical data

Mating cycles	10
Number of mating cycles	max. 10 connections/disconnections
Suitable	for SMD PCB Terminal Blocks; 2065 Series

Material Data

Insulating material	Polyamide 66 (PA 66)
Flammability class per UL94	V0
Contact material	Copper alloy
Contact plating	tin-plated
Weight	0.1 g

Environmental Requirements

Limit temperature range	-60 ... +120 °C
-------------------------	-----------------

Commercial data

Packaging type	BOX
Country of origin	DE
GTIN	4055143862738
Customs Tariff No.	85369010000

Counterpart

Downloads

Documentation

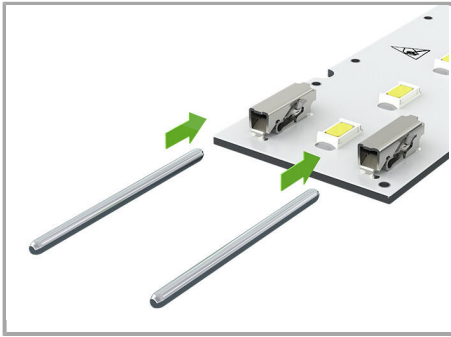
Additional Information

Technical explanations	Apr 3, 2019	pdf 3.6 MB	Download
------------------------	-------------	---------------	----------

Installation Notes

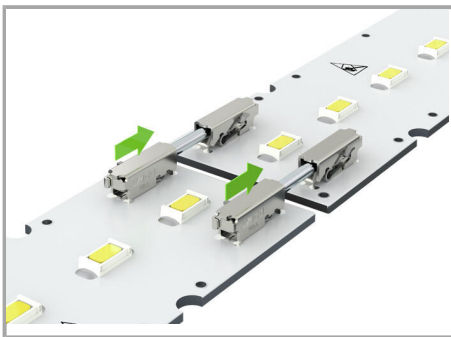
Installation

Subject to changes. Please also observe the further product documentation!



Inserting board-to-board links into the terminal blocks.

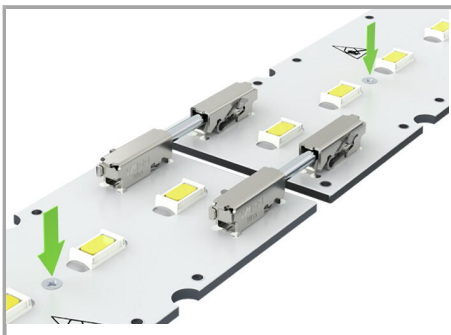
Installation



Assembly: Place PCBs on a flat surface and connect terminal blocks on adjoining PCBs via board-to-board link.

Disassembly: Support disconnection by opening the terminals with operating tool (max. 5 mating cycles).

Installation



The PCBs must be secured.

Subject to changes. Please also observe the further product documentation!