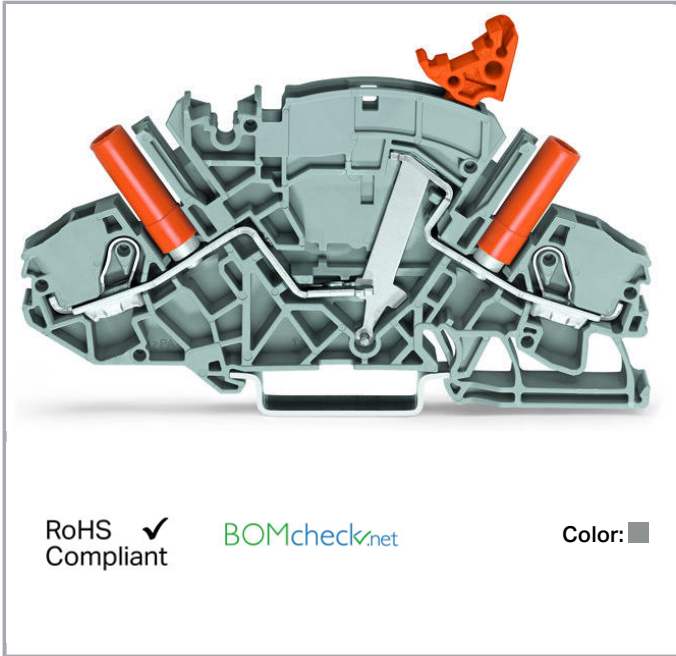


Data sheet | Item number: 2007-8821/045-000

2-conductor disconnect/test terminal block; e.g., current transformer circuits; with receptacle for adjacent jumper with switch lever; for 4 mm Ø test plugs; for DIN-rail 35 x 15 and 35 x 7.5; 6 mm²; Push-in CAGE CLAMP®; 6,00 mm²; gray

www.wago.com/2007-8821/045-000



Data

Electrical data

Ratings per IEC/EN 60664-1

Rated voltage (III / 3)	500 V
Rated impulse voltage (III / 3)	6 kV
Rated current	30 A
Legend (ratings)	(III / 3) ≙ Overvoltage category III / Pollution degree 3

Approvals per UL 1059

Rated voltage UL (Use Group B)	300 V
Rated current UL (Use Group B)	30 A
Rated voltage UL (Use Group C)	300 V
Rated current UL (Use Group C)	30 A
Rated voltage UL (Use Group D)	300 V
Rated current UL (Use Group D)	10 A

Subject to changes. Please also observe the further product documentation!

WAGO Kontakttechnik GmbH & Co. KG
Hansastr. 27
32423 Minden
Phone: +49571 887-0 | Fax: +49571 887-169
Email: info.de@wago.com | Web: www.wago.com

Do you have any questions about our products?
We are always happy to take your call at +49 (571) 887-44222.

Approvals per UL 1059

Connection data

Connection technology	Push-in CAGE CLAMP®
Actuation type	Push-in Open Tool Slot
Connectable conductor materials	Copper
Nominal cross section	6 mm ²
Solid conductor	0,5 ... 10 mm ² / 20 ... 8 AWG
Solid conductor, push-in termination	1 ... 10 mm ² / 14 ... 8 AWG
Fine-stranded conductor	0,5 ... 10 mm ² / 20 ... 8 AWG
Fine-stranded conductor with ferrule with plastic collar	2,5 ... 6 mm ² / 16 ... 10 AWG
Fine-stranded conductor with ferrule without plastic collar	1,5 ... 6 mm ² / 16 ... 10 AWG
Fine-stranded conductor with ferrule, push-in termination, from	2,5 ... 6 mm ² / 16 ... 24 AWG
Strip length	13 ... 15 mm / 0.51 ... 0.59 inch
Total number of connection points	2
Number of levels	1
Type of wiring	Front-entry wiring
Number of jumper slots	2

Geometrical Data

Width	8 mm / 0.315 inch
Height from upper-edge of DIN-35 rail	65,3 mm / 2.571 inch
Depth	99,6 mm / 3.921 inch

Mechanical data

Design	angled
Marking level	Center/side marking

Material Data

Color	gray
Insulating material	Polyamide 66 (PA 66)
Weight	27.8 g

Commercial data




Packaging type	BOX
----------------	-----

Subject to changes. Please also observe the further product documentation!


Country of origin	CN
GTIN	4055143300254
Customs Tariff No.	85365080900

Approvals / Certificates


Country specific Approvals

Logo	Approval	Additional Approval Text	Certificate name
	CCA DEKRA Certification B.V.	EN 60947	2198208.01
	CCA DEKRA Certification B.V.	EN 60947	NTR NL-7323
	CSA DEKRA Certification B.V.	C22.2 No. 158	70009679

Ship Approvals

Logo	Approval	Additional Approval Text	Certificate name
	DNV GL Det Norske Veritas, Germanischer Lloyd	-	TAE00001V2

UL-Approvals

Logo	Approval	Additional Approval Text	Certificate name
	cURus UL International Germany GmbH	UL 1059	E45172

Counterpart








Subject to changes. Please also observe the further product documentation!

WAGO Kontakttechnik GmbH & Co. KG
 Hansastr. 27
 32423 Minden
 Phone: +49571 887-0 | Fax: +49571 887-169
 Email: info.de@wago.com | Web: www.wago.com

Do you have any questions about our products?
 We are always happy to take your call at +49 (571) 887-44222.

Compatible products

Jumper

	Item no.: 2007-8442 Ajacent jumper for switching lever; insulated; 2-way; Nominal current 30 A; orange	www.wago.com/2007-8442
	Item no.: 2007-8443 Ajacent jumper for switching lever; insulated; 3-way; Nominal current 30 A; orange	www.wago.com/2007-8443
	Item no.: 2007-8444 Ajacent jumper for switching lever; insulated; 4-way; Nominal current 30 A; orange	www.wago.com/2007-8444
	Item no.: 2007-8445 Ajacent jumper for switching lever; insulated; 5-way; Nominal current 30 A; orange	www.wago.com/2007-8445
	Item no.: 2007-8446 Ajacent jumper for switching lever; insulated; 6-way; Nominal current 30 A; orange	www.wago.com/2007-8446
	Item no.: 2007-8447 Ajacent jumper for switching lever; insulated; 7-way; Nominal current 30 A; orange	www.wago.com/2007-8447
	Item no.: 2007-8448 Ajacent jumper for switching lever; insulated; 8-way; Nominal current 30 A; orange	www.wago.com/2007-8448
	Item no.: 282-432 Jumper; insulated; 2-way; Nominal current 30 A; orange	www.wago.com/282-432
	Item no.: 282-432/100-000 Jumper with safety lid; insulated; 2-way; Nominal current 30 A; orange	www.wago.com/282-432/100-000
	Item no.: 282-433 Jumper; insulated; 3-way; Nominal current 30 A; orange	www.wago.com/282-433
	Item no.: 282-433/100-000 Jumper with safety lid; insulated; 3-way; Nominal current 30 A; orange	www.wago.com/282-433/100-000
	Item no.: 282-434 Jumper; insulated; 4-way; Nominal current 30 A; orange	www.wago.com/282-434

Subject to changes. Please also observe the further product documentation!



Item no.: 282-434/100-000

Jumper with safety lid; insulated; 4-way; Nominal current 30 A; orange

www.wago.com/282-434/100-000

Item no.: 282-435

Jumper; insulated; 5-way; Nominal current 30 A; orange

www.wago.com/282-435

Item no.: 282-435/011-000

Jumper; insulated; 3-way (1-3-5); Nominal current 30 A; special version; orange

www.wago.com/282-435/011-000

Item no.: 282-435/301-000

Jumper; orange

www.wago.com/282-435/301-000

Item no.: 282-436

Jumper; insulated; 6-way; Nominal current 30 A; orange

www.wago.com/282-436

Item no.: 282-436/301-000

Jumper; insulated; 1-2-4-6; Nominal current 30 A; special version; orange

www.wago.com/282-436/301-000

Item no.: 282-436/304-000

Jumper; orange

www.wago.com/282-436/304-000

Item no.: 282-437

Jumper; insulated; 7-way; Nominal current 30 A; orange

www.wago.com/282-437

Item no.: 282-437/011-000

Jumper; insulated; 1-3-5-7; Nominal current 30 A; special version; orange

www.wago.com/282-437/011-000

Item no.: 282-437/012-000

Jumper; insulated; 1-4-7; Nominal current 30 A; special version; orange

www.wago.com/282-437/012-000

Item no.: 282-438

Jumper; insulated; 8-way; Nominal current 30 A; orange

www.wago.com/282-438

Item no.: 282-438/300-000

Jumper; insulated; 1-2-5-8; Nominal current 30 A; special version; orange

www.wago.com/282-438/300-000

Item no.: 282-438/301-000

Jumper; insulated; 1-4-7-8; Nominal current 30 A; special version; orange

www.wago.com/282-438/301-000

Item no.: 282-439

Jumper; insulated; 9-way; Nominal current 30 A; orange

www.wago.com/282-439

Item no.: 282-439/011-000

Jumper; insulated; 1-3-5-7-9; Nominal current 30 A; special version; orange

www.wago.com/282-439/011-000

Subject to changes. Please also observe the further product documentation!

WAGO Kontakttechnik GmbH & Co. KG

Hansastr. 27










32423 Minden

Phone: +49571 887-0 | Fax: +49571 887-169

Email: info.de@wago.com | Web: www.wago.com

Do you have any questions about our products?

We are always happy to take your call at +49 (571) 887-44222.

	Item no.: 282-440 Jumper; insulated; 10-way; Nominal current 30 A; orange	www.wago.com/282-440
ferrule		
	Item no.: 216-208 Ferrule; Sleeve for 6 mm ² / AWG 10; insulated; electro-tin plated; electrolytic copper; gastight crimped; acc. to DIN 46228, Part 4/09.90; yellow	www.wago.com/216-208
	Item no.: 216-262 Ferrule; Sleeve for 0.75 mm ² / 18 AWG; insulated; electro-tin plated; electrolytic copper; gastight crimped; acc. to DIN 46228, Part 4/09.90; gray	www.wago.com/216-262
	Item no.: 216-263 Ferrule; Sleeve for 1 mm ² / AWG 18; insulated; electro-tin plated; electrolytic copper; gastight crimped; acc. to DIN 46228, Part 4/09.90; red	www.wago.com/216-263
	Item no.: 216-264 Ferrule; Sleeve for 1.5 mm ² / AWG 16; insulated; electro-tin plated; electrolytic copper; gastight crimped; acc. to DIN 46228, Part 4/09.90; black	www.wago.com/216-264
	Item no.: 216-266 Ferrule; Sleeve for 2.5 mm ² / AWG 14; insulated; electro-tin plated; electrolytic copper; gastight crimped; acc. to DIN 46228, Part 4/09.90; blue	www.wago.com/216-266
	Item no.: 216-267 Ferrule; Sleeve for 4 mm ² / AWG 12; insulated; electro-tin plated; electrolytic copper; gastight crimped; acc. to DIN 46228, Part 4/09.90; gray	www.wago.com/216-267
N-busbar		
	Item no.: 210-254 Interlocking link; mechanically locks multiple links; 1 m long; transparent	www.wago.com/210-254
General accessories		
	Item no.: 2007-8899 Lock-out; for disconnect link; yellow	www.wago.com/2007-8899
	Item no.: 282-881 Locking cover; mechanically locks multiple links; 1-pole; transparent	www.wago.com/282-881
	Item no.: 282-882 Locking cover; mechanically locks multiple links; 2-pole; transparent	www.wago.com/282-882
	Item no.: 282-883 Locking cover; mechanically locks multiple links; 3-pole; transparent	www.wago.com/282-883
	Item no.: 282-884 Locking cover; mechanically locks multiple links; 4-pole; transparent	www.wago.com/282-884
	Item no.: 282-885 Locking cover; mechanically locks multiple links; 5-pole; transparent	www.wago.com/282-885
	Item no.: 282-886 Locking cover; mechanically locks multiple links; 6-pole; transparent	www.wago.com/282-886
	Item no.: 282-887 Locking cover; mechanically locks multiple links; 7-pole; transparent	www.wago.com/282-887

Subject to changes. Please also observe the further product documentation!

**Item no.: 282-888**

Locking cover; mechanically locks multiple links; 8-pole; transparent

www.wago.com/282-888**Marking accessories****Item no.: 2009-110**

Marking strips; on reel; not stretchable; plain; snap-on type; white

www.wago.com/2009-110**Item no.: 2009-115**

WMB-Inline; for Smart Printer; 1500 pieces on roll; stretchable 5 - 5.2 mm; plain; snap-on type; white

www.wago.com/2009-115**Item no.: 2009-115/000-002**

WMB-Inline; for Smart Printer; 1500 pieces on roll; stretchable 5 - 5.2 mm; plain; snap-on type; yellow

www.wago.com/2009-115/000-002**Item no.: 2009-115/000-006**

WMB-Inline; for Smart Printer; 1500 pieces on roll; stretchable 5 - 5.2 mm; plain; snap-on type; white

www.wago.com/2009-115/000-006**Item no.: 2009-115/000-007**

WMB-Inline; for Smart Printer; 1500 pieces on roll; stretchable 5 - 5.2 mm; plain; snap-on type; gray

www.wago.com/2009-115/000-007**Item no.: 2009-115/000-012**

WMB-Inline; for Smart Printer; 1500 pieces on roll; stretchable 5 - 5.2 mm; plain; snap-on type; white

www.wago.com/2009-115/000-012**Item no.: 2009-115/000-017**

WMB-Inline; for Smart Printer; 1500 pieces on roll; stretchable 5 - 5.2 mm; plain; snap-on type; white

www.wago.com/2009-115/000-017**Item no.: 2009-115/000-023**

WMB-Inline; for Smart Printer; 1500 pieces on roll; stretchable 5 - 5.2 mm; plain; snap-on type; green

www.wago.com/2009-115/000-023**Item no.: 2009-115/000-024**

WMB-Inline; for Smart Printer; 1500 pieces on roll; stretchable 5 - 5.2 mm; plain; snap-on type; white

www.wago.com/2009-115/000-024**Item no.: 2009-198**

Adaptor

www.wago.com/2009-198**Item no.: 793-501**

WMB marking card; as card; not stretchable; plain; snap-on type; white

www.wago.com/793-501**Item no.: 793-501/000-002**

WMB marking card; as card; not stretchable; plain; snap-on type; yellow

www.wago.com/793-501/000-002**Item no.: 793-501/000-005**

WMB marking card; as card; not stretchable; plain; snap-on type; red

www.wago.com/793-501/000-005

Subject to changes. Please also observe the further product documentation!

WAGO Kontakttechnik GmbH & Co. KG

Hansastr. 27

32423 Minden

Phone: +49571 887-0 | Fax: +49571 887-169

Email: info.de@wago.com | Web: www.wago.com

Do you have any questions about our products?

We are always happy to take your call at +49 (571) 887-44222.



Item no.: 793-501/000-006
WMB marking card; as card; not stretchable; plain; snap-on type; blue

www.wago.com/793-501/000-006

Item no.: 793-501/000-007
WMB marking card; as card; not stretchable; plain; snap-on type; gray

www.wago.com/793-501/000-007

Item no.: 793-501/000-012
WMB marking card; as card; not stretchable; plain; snap-on type; orange

www.wago.com/793-501/000-012



Item no.: 793-501/000-017
WMB marking card; as card; not stretchable; plain; snap-on type; light green

www.wago.com/793-501/000-017

Item no.: 793-501/000-023
WMB marking card; as card; not stretchable; plain; snap-on type; green

www.wago.com/793-501/000-023

Item no.: 793-501/000-024
WMB marking card; as card; not stretchable; plain; snap-on type; violet

www.wago.com/793-501/000-024

Protective Warning Marker

Item no.: 2006-115
Protective warning marker; with high-voltage symbol, black; for 5 terminal blocks; yellow

www.wago.com/2006-115

tools

Item no.: 210-721
Operating tool; Blade: 5.5 x 0.8 mm; with a partially insulated shaft

www.wago.com/210-721

End plate

Item no.: 2007-8891
End and separator plate; 1.5 mm thick; without lock-out seal option; gray

www.wago.com/2007-8891

Item no.: 2007-8892
End and separator plate; 1.5 mm thick; without lock-out seal option; orange

www.wago.com/2007-8892

Item no.: 2007-8893
End and separator plate; 1.5 mm thick; with lock-out seal option; gray

www.wago.com/2007-8893

Item no.: 2007-8894
End and separator plate; 1.5 mm thick; with lock-out seal option; orange

www.wago.com/2007-8894

Carrier rail


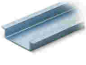
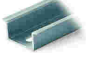
Item no.: 210-112
Steel carrier rail; 35 x 7.5 mm; 1 mm thick; 2 m long; slotted; according to EN 60715; "Hole width 25 mm

www.wago.com/210-112

Item no.: 210-113
Steel carrier rail; 35 x 7.5 mm; 1 mm thick; 2 m long; unslotted; according to EN 60715

www.wago.com/210-113

Subject to changes. Please also observe the further product documentation!

	Item no.: 210-114 Steel carrier rail; 35 x 15 mm; 1.5 mm thick; 2 m long; unslotted; similar to EN 60715	www.wago.com/210-114
	Item no.: 210-115 Steel carrier rail; 35 x 7.5 mm; 1 mm thick; 2 m long; slotted; according to EN 60715; "Hole width 18 mm	www.wago.com/210-115
	Item no.: 210-118 Steel carrier rail; 35 x 15 mm; 2.3 mm thick; 2 m long; unslotted; according to EN 60715	www.wago.com/210-118
	Item no.: 210-196 Aluminum carrier rail; 35 x 8.2 mm; 1.6 mm thick; 2 m long; unslotted; similar to EN 60715; silver-colored	www.wago.com/210-196
	Item no.: 210-197 Steel carrier rail; 35 x 15 mm; 1.5 mm thick; 2 m long; slotted; similar to EN 60715	www.wago.com/210-197
	Item no.: 210-198 Copper carrier rail; 35 x 15 mm; 2.3 mm thick; 2 m long; unslotted; according to EN 60715; copper-colored	www.wago.com/210-198

Downloads

Documentation

Additional Information

Technical explanations	Apr 3, 2019	pdf 2.1 MB	Download
------------------------	-------------	---------------	----------

CAD/CAE-Data

CAD data

2D/3D Models 2007-8821/045-000	URL	Download
--------------------------------	-----	----------

CAE data

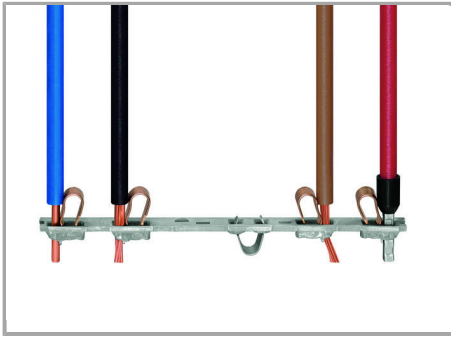
EPLAN Data Portal 2007-8821/045-000	URL	Download
-------------------------------------	-----	----------

WSCAD Universe 2007-8821/045-000	URL	Download
----------------------------------	-----	----------

Installation Notes

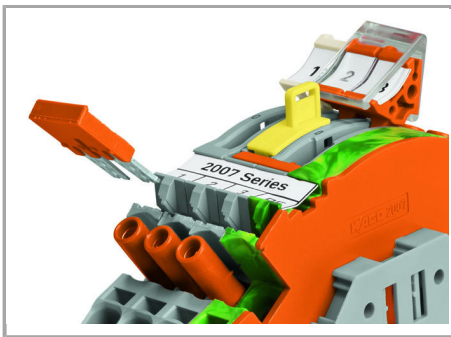
Inserting a conductor

Subject to changes. Please also observe the further product documentation!



All conductor types at a glance

Jumpered



Additional commoning option on the transformer side



Preparing shorting path for the current transformer circuits.



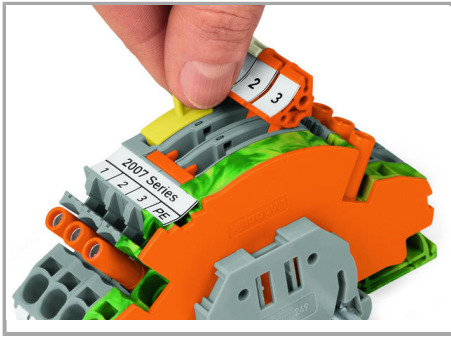
Insert insulated, touch-proof circuit jumpers into jumper slot.



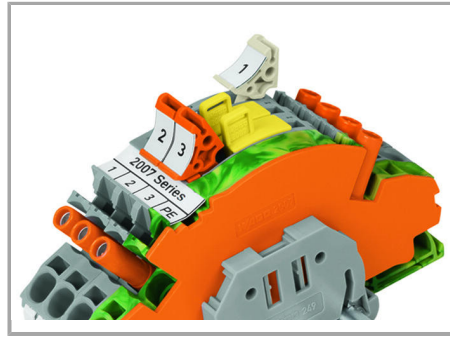
Insert insulated, touch-proof circuit jumpers into jumper slot.

Safety

Subject to changes. Please also observe the further product documentation!



Lock-out prevents accidental operation of disconnect link.

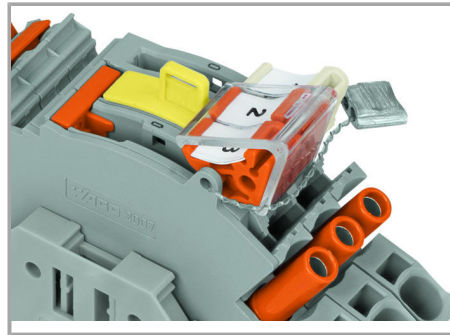


Lock-out snaps into one of two notched positions.

Locking lever



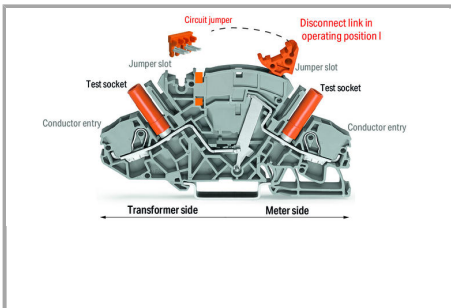
Using locking covers or profiles for adjacent terminal blocks allows disconnect links to be operated simultaneously.



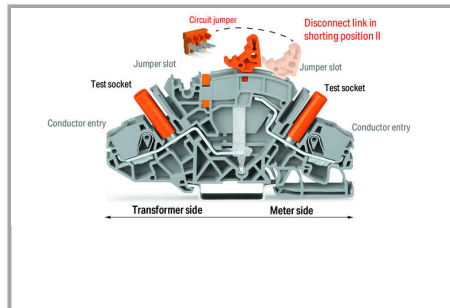
A lock-out seal can be used on the disconnect link in operating position I in combination with an end and separator plate (2007-8893 or 2007-8894).



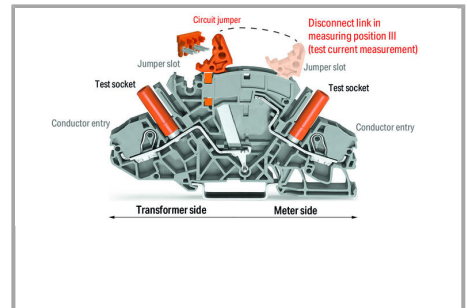
Interlocking link mechanically locks multiple links for multi-pole switching applications.



Disconnect/Test Terminal Blocks (2007-8821)

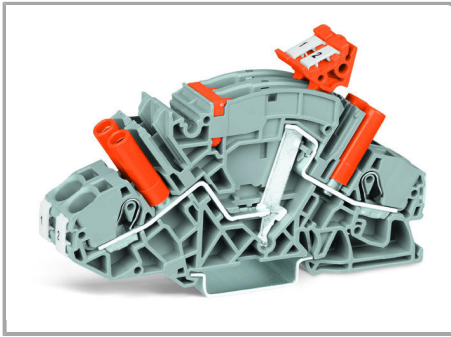


Disconnect/Test Terminal Blocks (2007-8821)

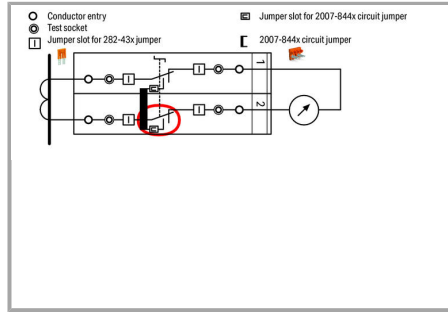


Disconnect/Test Terminal Blocks (2007-8821)

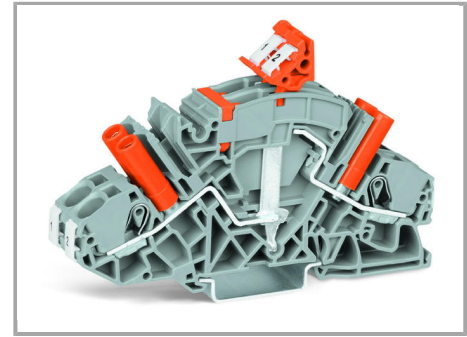
Subject to changes. Please also observe the further product documentation!



Disconnect link in operating position I



In the operating position, the measurement device is connected to the transformer, the circuit jumper is inserted and the disconnect link is in position I.



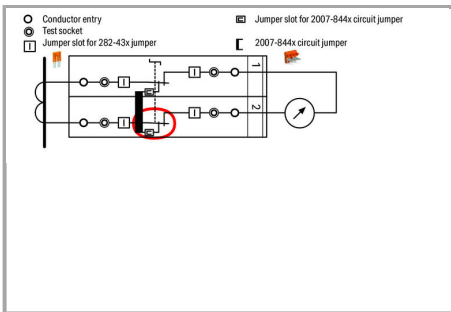
Disconnect link in shorting position II

Terminal blocks required:

2 x disconnect/test terminal block
(2007-8821)

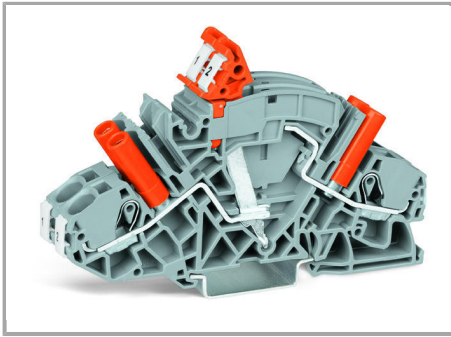
1 x circuit jumper, orange (2007-8442)

Locking covers or interlocking links (option)

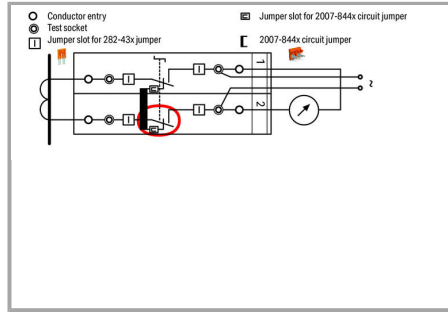


The transformer is not disconnected from the measuring device yet, the shorting path is activated by moving the disconnect link into shorting position II and the transformer is safely shorted.

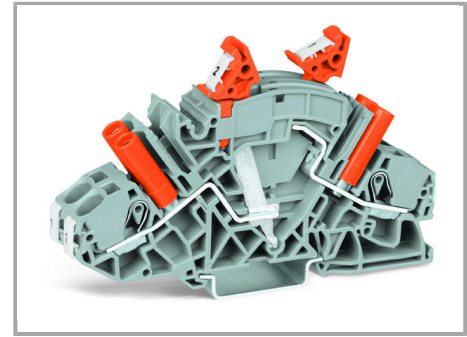
Subject to changes. Please also observe the further product documentation!



Test current measurement: Disconnect link in measuring position III



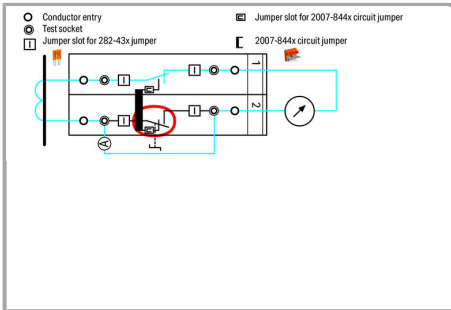
The measuring device is electrically disconnected from the transformer. If required, an external voltage can be applied to the measuring device via the test socket.



Measurement testing (using both test sockets)

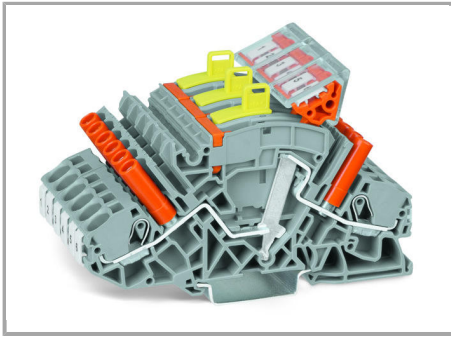
Terminal block 1: Disconnect link in operating position I

Terminal block 2: Disconnect link in measuring position III

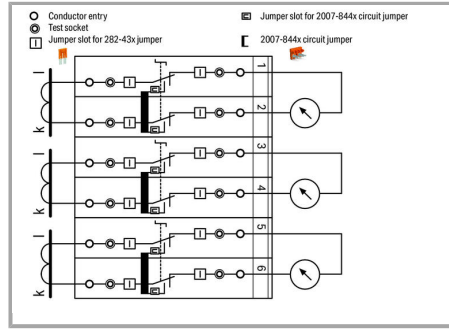


Measurement testing: First insert the reference current meter (A) into the test socket, then move the disconnect link into measurement position III (test current measurement).

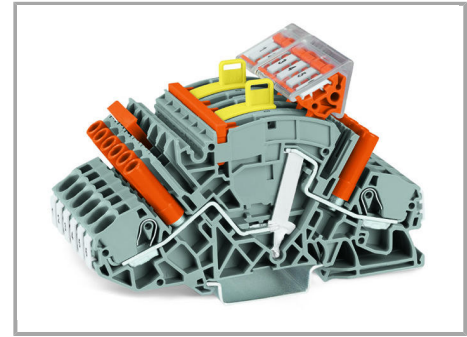
Subject to changes. Please also observe the further product documentation!



Measuring set for a three-phase current transformer



Pairs of disconnect links are interconnected via locking cover or interlocking link. Measurement testing is performed after the interlocking is released.



Measuring set for a three-phase current transformer with 'Y' point

Terminal blocks required:

6 x disconnect/test terminal block (2007-8821)

3 x circuit jumper, orange (2007-8442)

In addition: interlocking links, locking covers, lock-outs

Terminal blocks required:

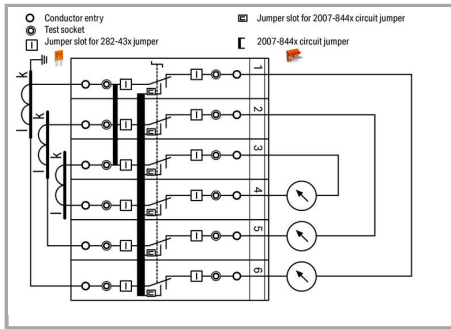
6 x disconnect/test terminal block (2007-8821)

1 x circuit jumper, orange (2007-8446)

1 x jumper, orange (282-433)

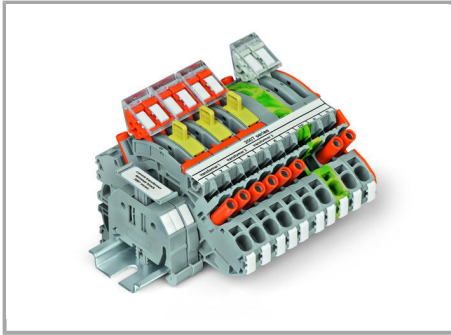
In addition: interlocking links, locking covers, lock-outs

Subject to changes. Please also observe the further product documentation!



All six disconnect links are interconnected via locking cover or interlocking link.

Marking



Marking via WMB Multi markers or marking strips.

Product family

TOPJOB® S

TOPJOB® S: In various industrial applications and modern building installations, WAGO's wide and versatile range of rail-mount terminal blocks provides more than just reliable electrical connections.

[Learn more about the product family.](#)

[Show all products from the family](#)

Subject to changes. Please also observe the further product documentation!